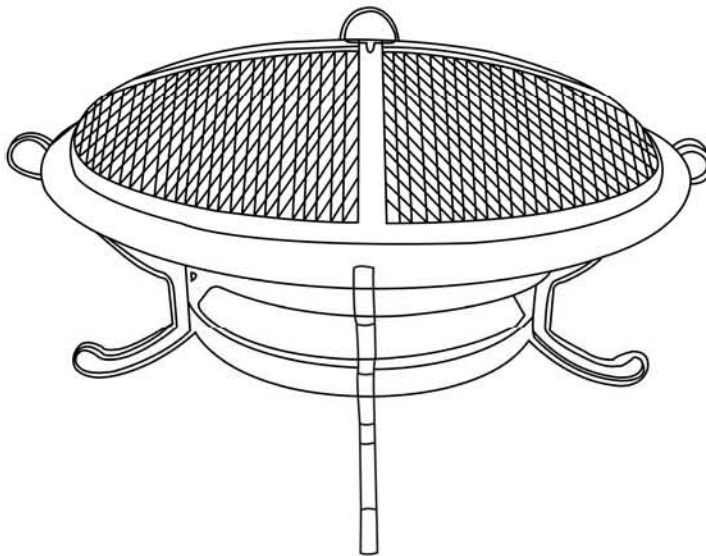




C09003A



INSTRUCTION MANUAL

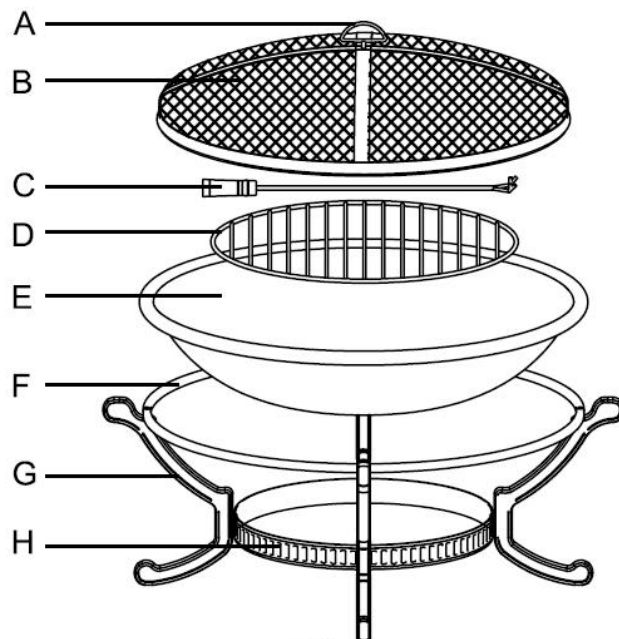
Assembly Instructions

WARNINGS:

- ☒ This fire bowl is intended for outdoor use only. Do not use on wooden decks.
- ☒ This fire bowl is intended to burn wood logs only. Do not burn coal, leaves, or other combustible materials in the fire bowl.
- ☒ Not for use by children. Keep children and pets away from the fire bowl.
- ☒ The fire bowl is hot. Use with caution. Do not touch the hot fire bowl with bare hands.
- ☒ Never leave the burning fire bowl unattended, and always extinguish the fire completely before leaving the fire bowl.
- ☒ Do not use near flammable or combustible objects or materials.
- ☒ When the fire bowl is in use, the handle on the mesh screen can reach extreme temperatures that can cause serious injury to an unprotected hand. Use a poker or an appropriate heat resistant glove or pad when handling.
- ☒ DO NOT use this fire bowl as a cooking appliance. This fire bowl is not designed for grilling food.
- ☒ Check local fire regulations and municipal by-laws for safe use.

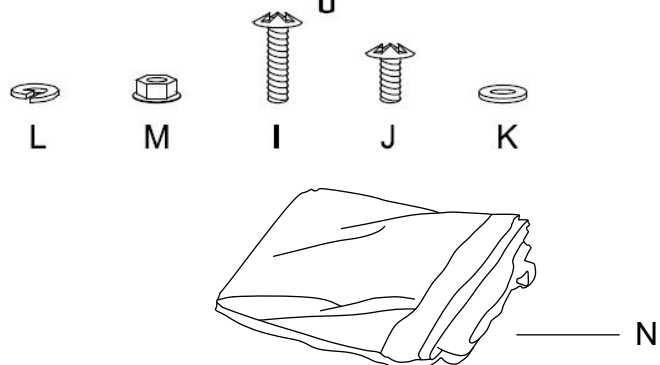
PART LIST

NO.	DESCRIPTION	QTY.
A	Lift handle	1
B	Mesh screen	1
C	Poker	1
D	Log grate	1
E	Fire bowl	1
F	Top ring	1
G	Stand	4
H	Bottom ring	1
N	Cover	1



Hardware List

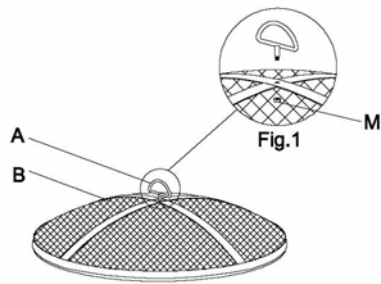
No.	Hardware	Qty
I	M6 X20 Bolt	4
J	M6 X12 Bolt	8
K	Flat washer M6	8
L	Spring washer M6	8
M	M6 Nut	1



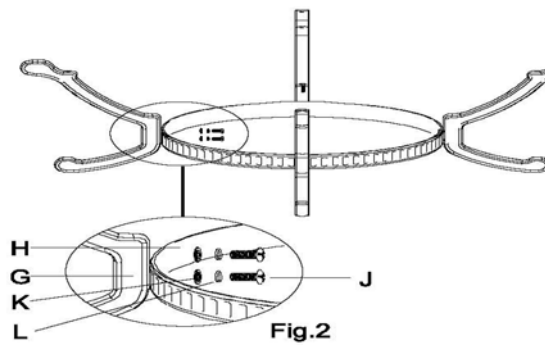
Note: You will need a screwdriver to help with the assembly.

Assembly step:

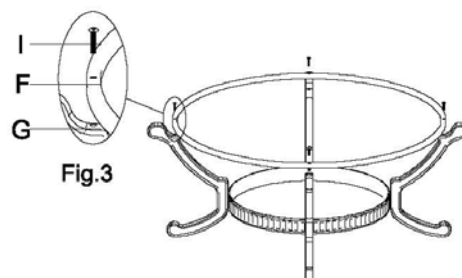
Step1 : Connect lift handle (A) to mesh screen (B), using the M6 nut (M).



Step2: Connect stand (G) with bottom ring (H) using flat washer (K) and spring washer (L) and M6X14bolt (J) to fix.



Step 3: Connect stand (G) with top ring (F), using the bolt (I)



Step 4: Place the fire bowl (E), log grate (D), mesh cover (B) on the assembled base.

When the appliance has cooled down COMPLETELY and NOT in use, put cove (N) on the appliance.

