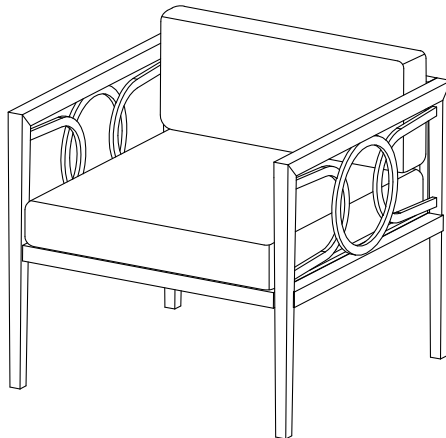
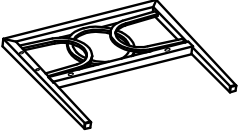
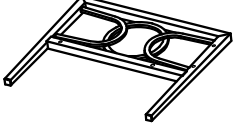
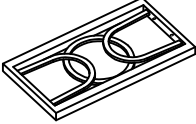
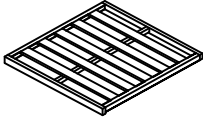









Arm Chair
CO7351



PART LIST

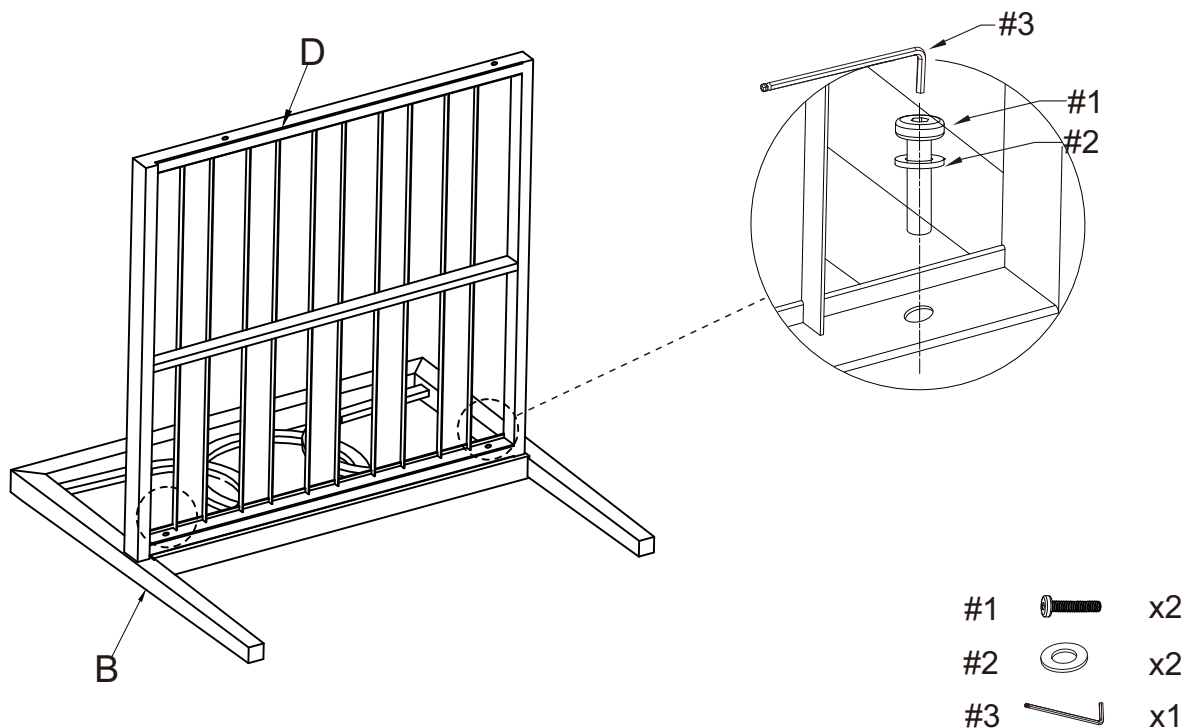
<p>A</p> 	<p>B</p> 	<p>C</p> 	<p>D</p> 	<p>E</p> 
<p>Right Arm Panel 2 PCS</p>	<p>Left Arm Panel 2 PCS</p>	<p>Back Panel 2 PCS</p>	<p>Seat Panel 2 PCS</p>	<p>Seat Cushion 2 PCS</p>
<p>F</p> 				
<p>Back Cushion 2 PCS</p>				

HARDWARE LIST

<p>#1</p>  <p>M6*35mm</p>	<p>#2</p>  <p>M6mm</p>	<p>#3</p>  <p>M6mm</p>
<p>Bolt 16 PCS (Extra 1)</p>	<p>Flat Washer 16 PCS (Extra 1)</p>	<p>Allen Wrench 1 PC</p>

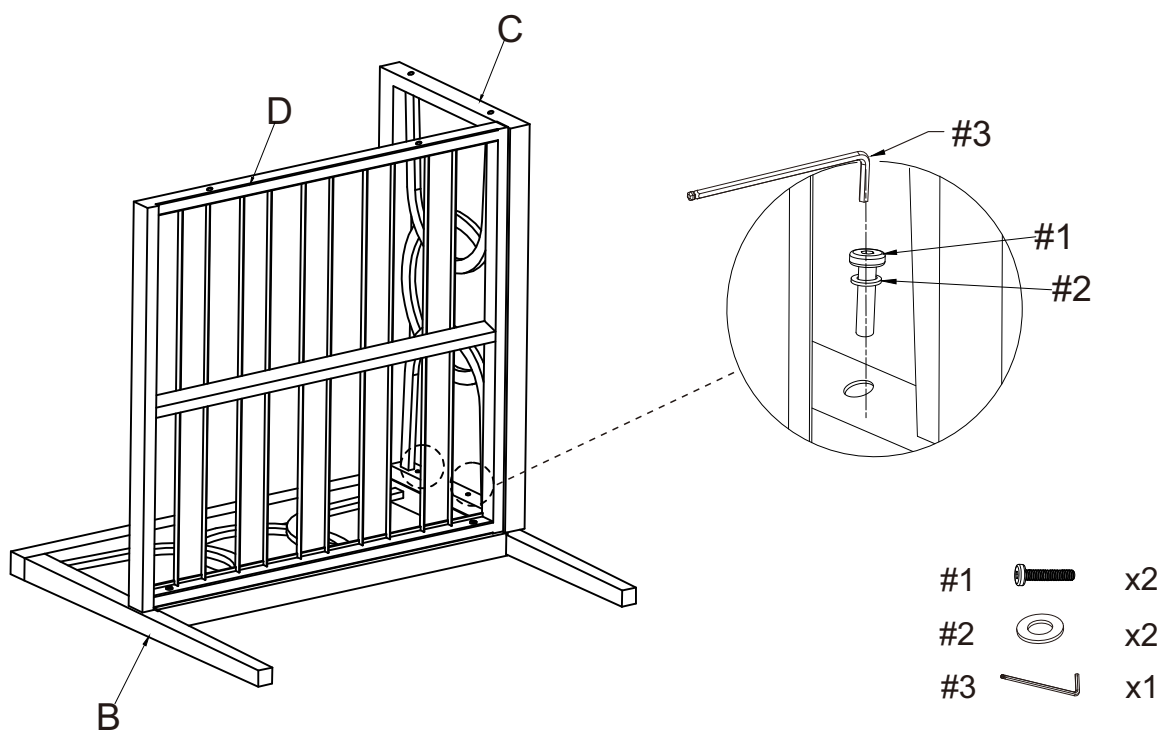
Step 1. Lay left arm panel (part B) down on a soft flat surface, such as carpet, as shown below. Attach seat panel (part D) to left arm panel (part B) using bolts (part #1), flat washers (part #2) and allen wrench (part #3).

NOTE: Please do not fully tighten bolts until unit is fully assembled.



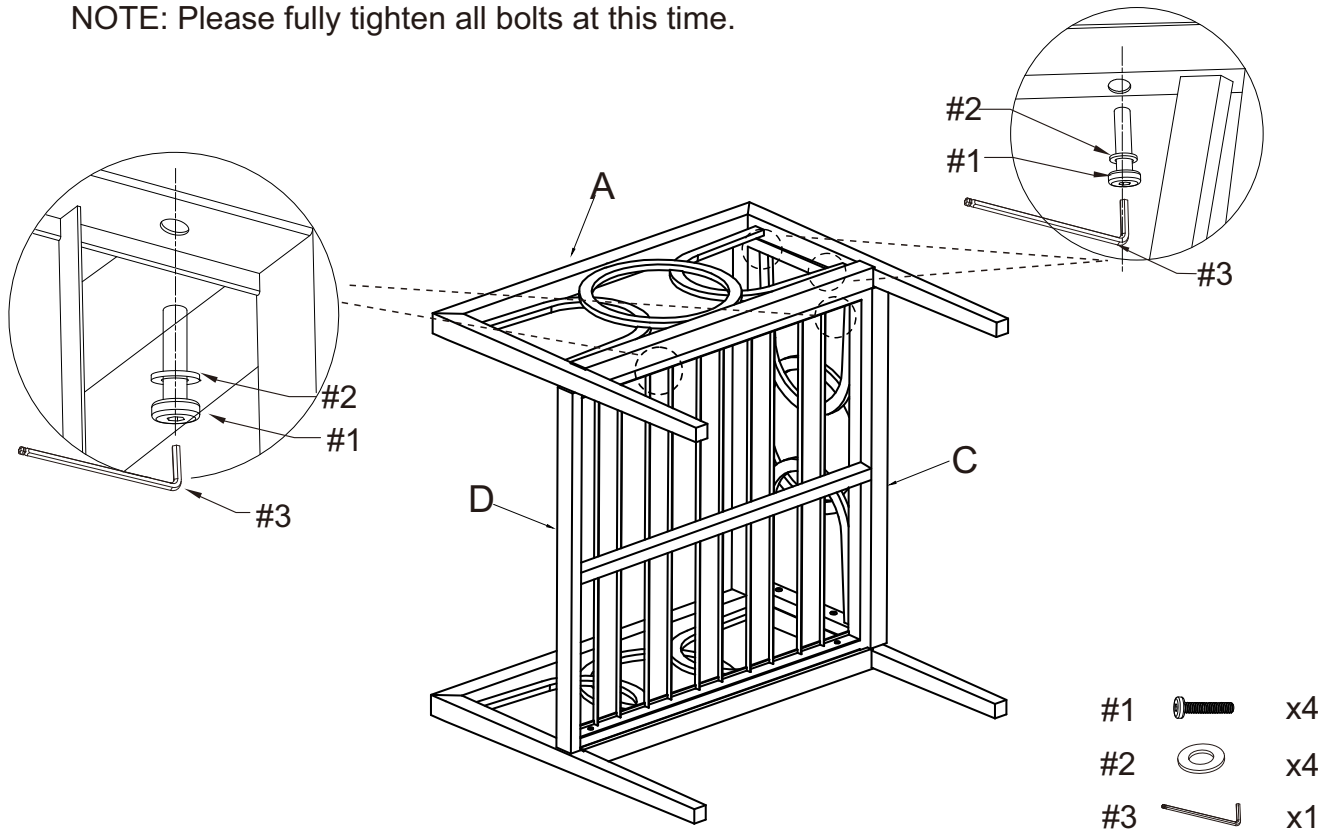
Step 2. Attach back panel (part C) to seat panel (part D) and left arm panel (part B) using bolts (part #1), flat washers (part #2) and allen wrench (part #3).

NOTE: Please do not fully tighten bolts until unit is fully assembled.



Step 3. Attach right arm panel (part A) to seat panel (part D) and back panel (part C) using bolts (part #1), flat washers (part #2) and allen wrench (part #3).

NOTE: Please fully tighten all bolts at this time.



Step 4. Carefully turn unit upright. Place seat cushion (part E) and back cushion (part F) as shown below. Repeat steps 1-4 to assemble remaining chair.

