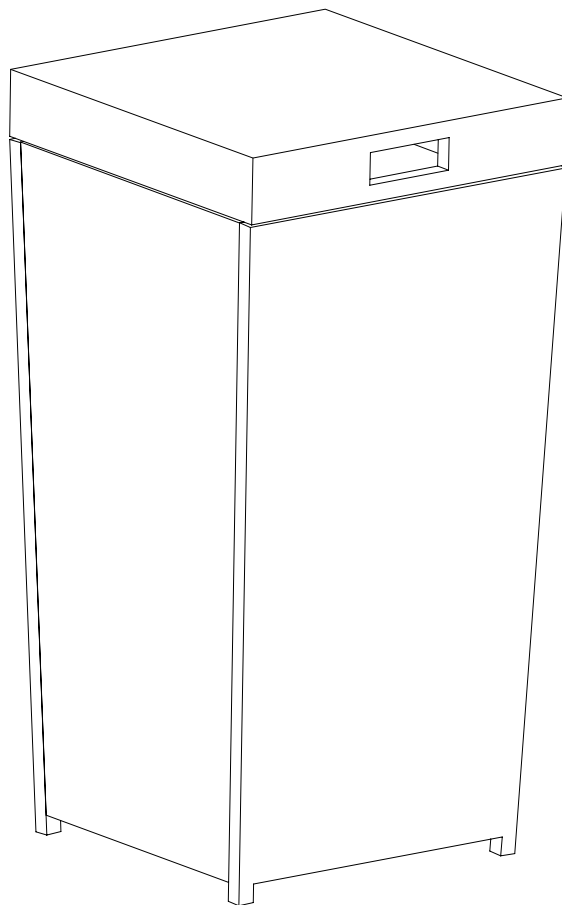
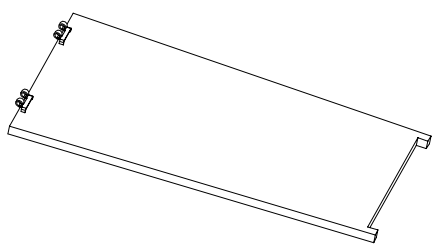
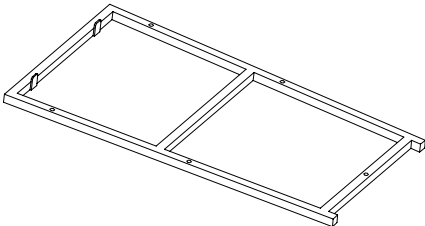
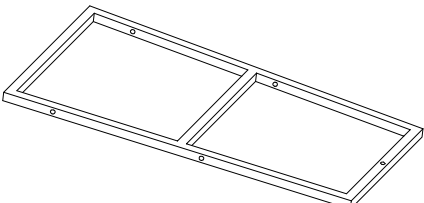
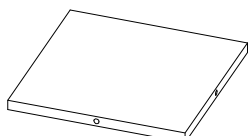
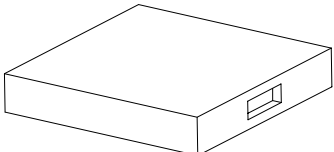
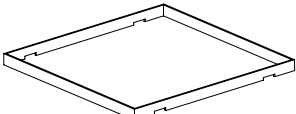




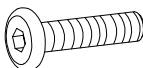
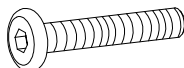
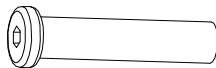


PALM HARBOR
WICKER TRASH BIN
CO7301-BR



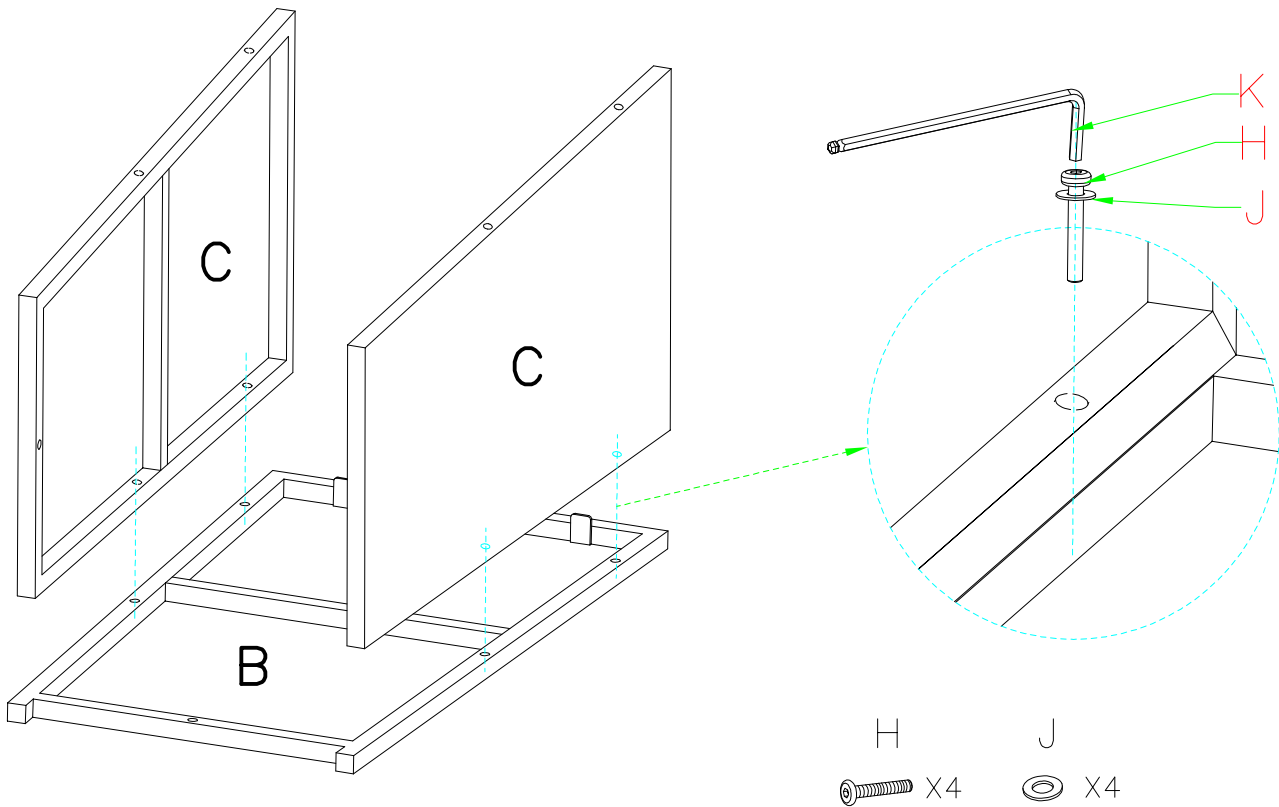
PART LIST

 <p>Back Panel</p>		 <p>Front Panel</p>		 <p>Side Panel</p>	
A	1pc	B	1pc	C	2pcs
 <p>Bottom Panel</p>		 <p>Top Panel</p>		 <p>Garbage Bag Holder</p>	
D	1pc	E	1pc	F	1pc

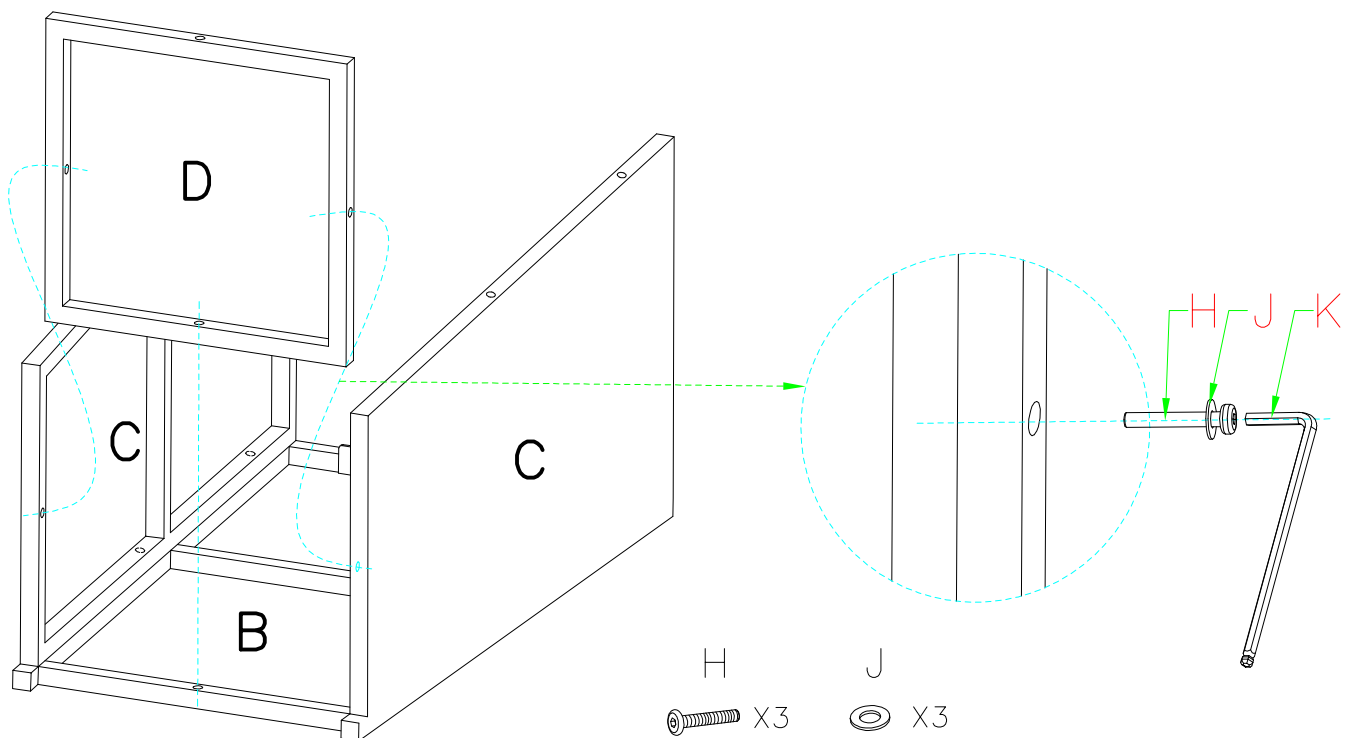
HARDWARE LIST

 <p>Short Bolt(M6*10mm)</p>		 <p>Long Bolt(M6*40mm)</p>		 <p>Inner Thread Bolt(M6 *40mm)</p>	
G	2pcs	H	12pcs	I	2pcs
 <p>Washer(M6mm)</p>		 <p>Allen Key(M6mm)</p>			
J	12pcs	K	2pcs		

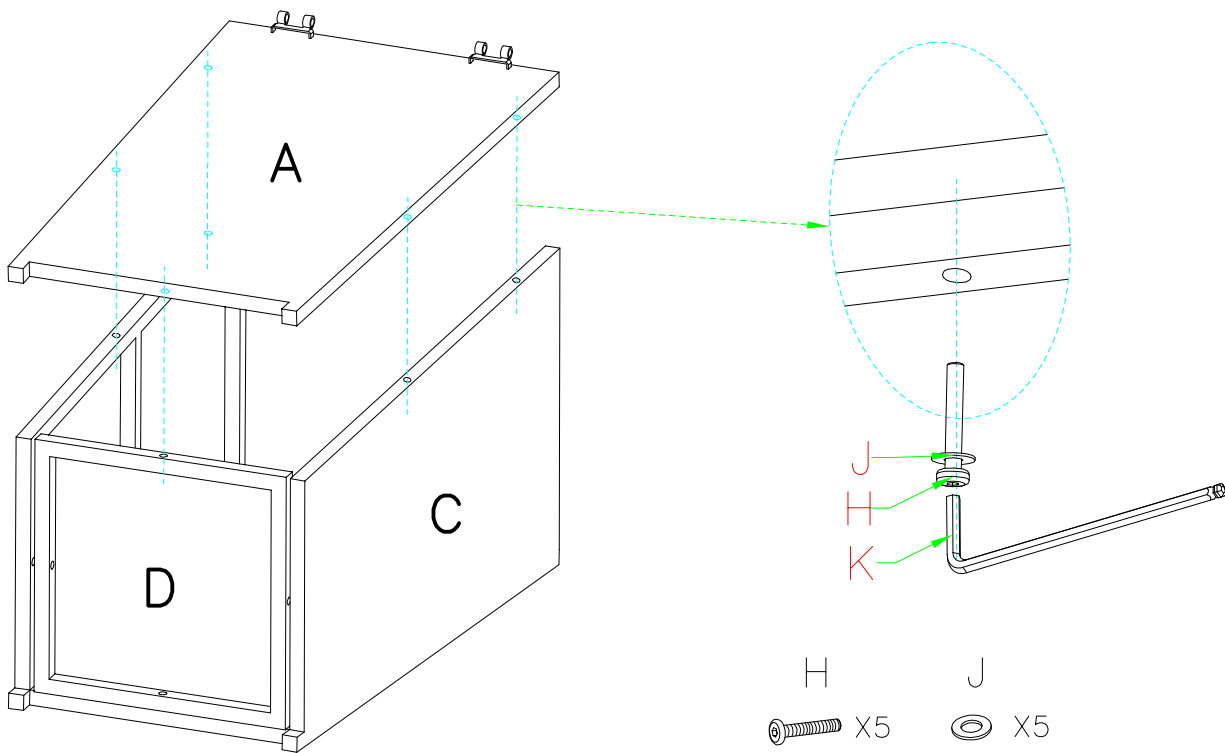
Step 1. Lay Front Panel (B) down on a flat surface, attach Side Panel (C) to Front Panel(B) using the Long Bolt (H) and Flat Washer (J).



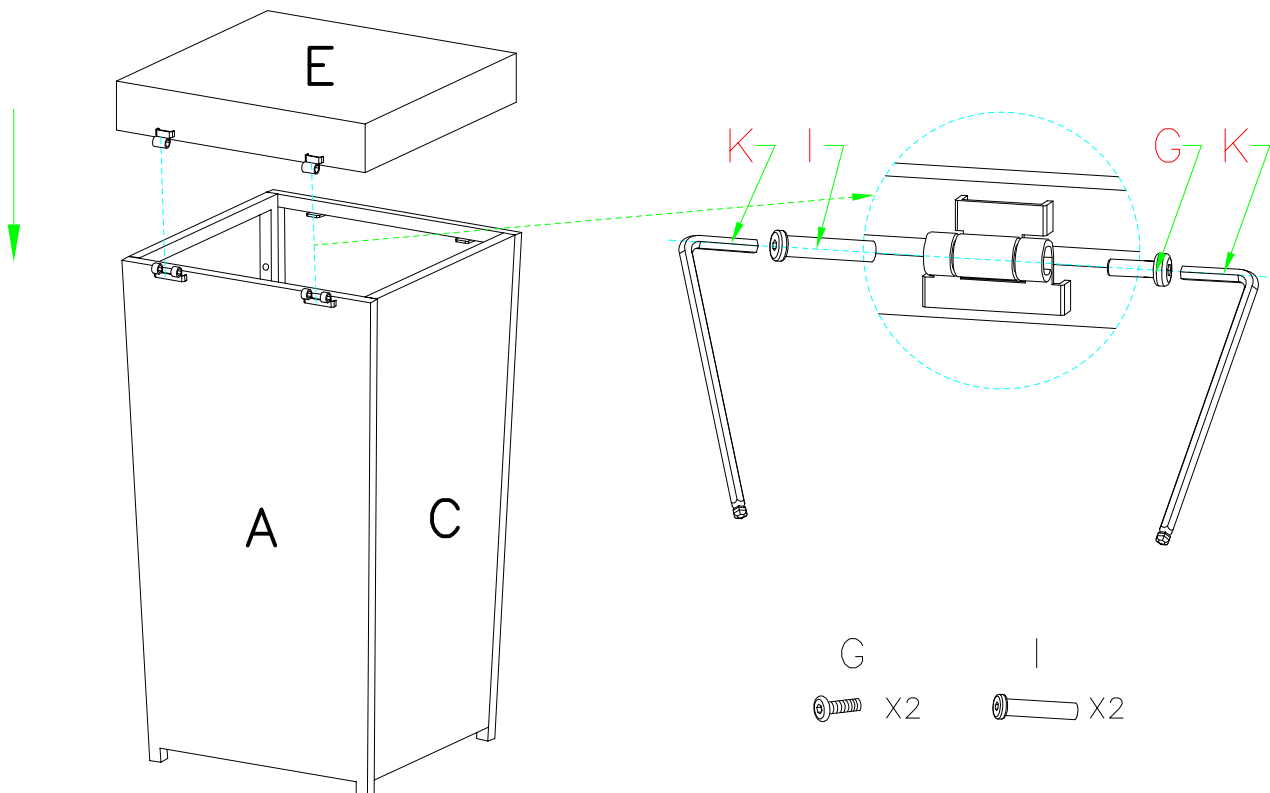
Step 2. Attach Bottom Panel (D) to Side Panel (C) and Front Panel (B) using a Long Bolt (H) and Flat Washer (J).



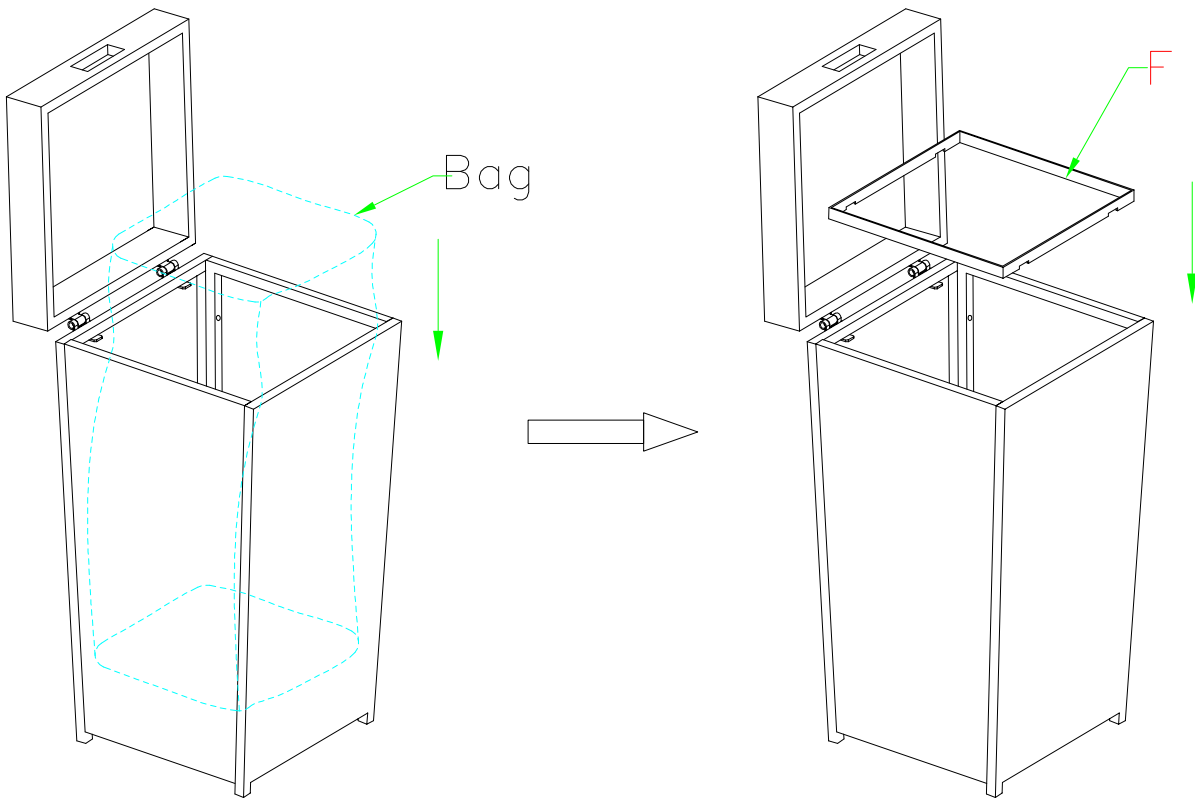
Step 3. Attach Back Panel (A) to Side Panels (C) and Bottom Panel (D) using a Long Bolt (H) and Flat Washer (J).



Step 4. Carefully place trash bin with the legs on the floor. Attach Top Panel (E) to Back Panel (A) using an Inner Thread Bolt (I), Short Bolt (G) and Allen Keys (K).



Step 5. Place garbage bag (not provide) inside the bin. Place Garbage Bag Holder (F) in bin, as shown.



Step 6. Top Panel (E) can be opened and closed.

