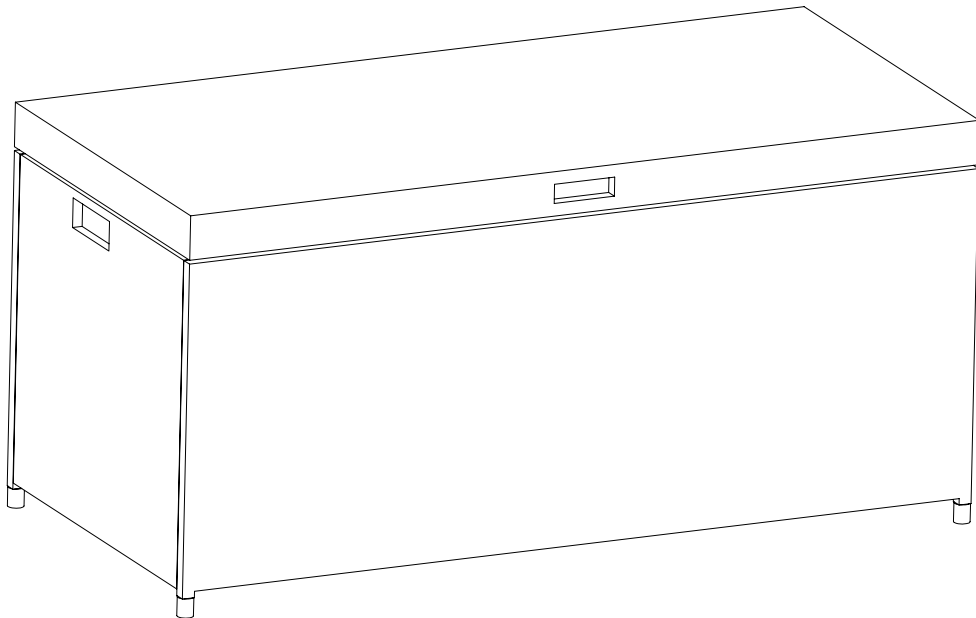
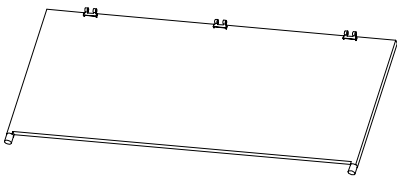
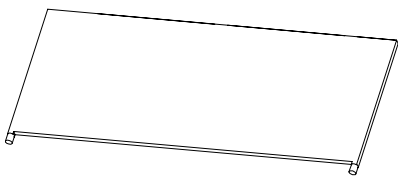
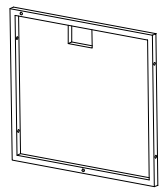
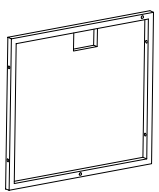
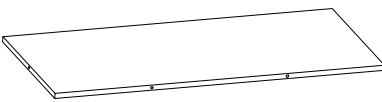
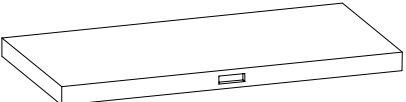




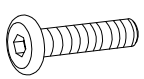
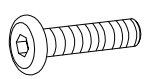
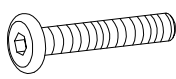
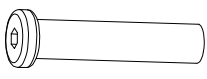
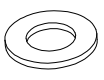

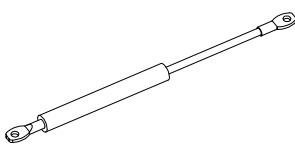
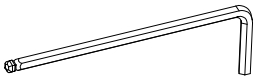
PALM HARBOR WICKER
STORAGE CHEST
CO7300-BR



PART LIST

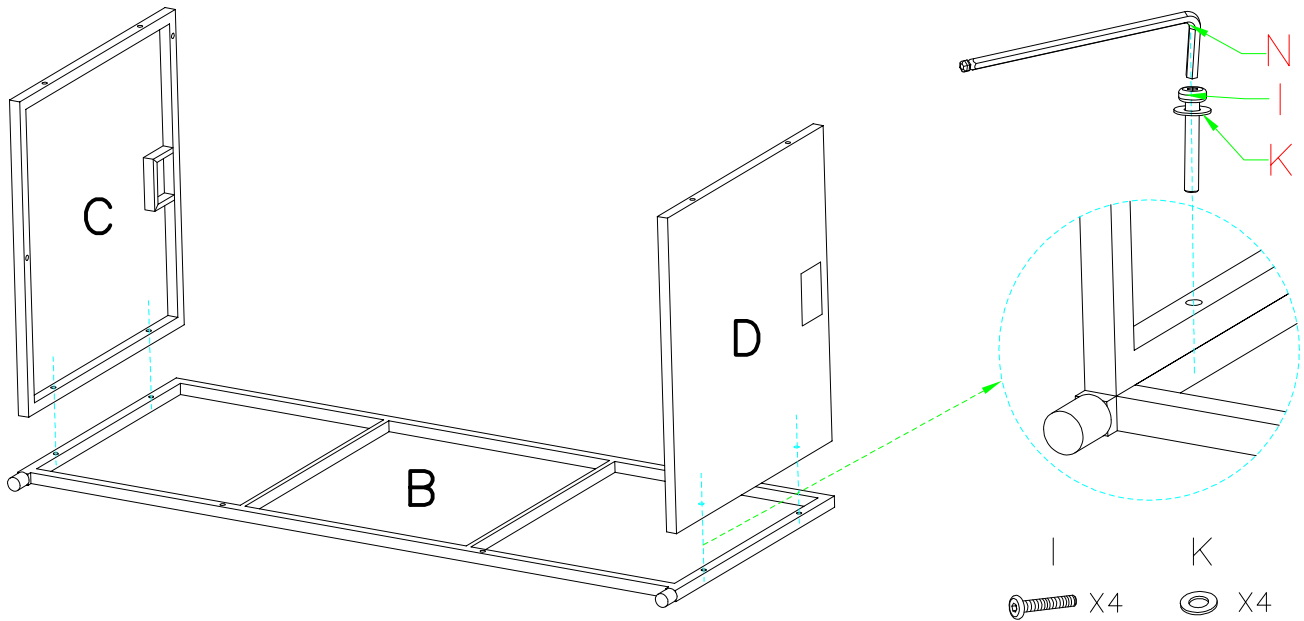
 <p>Back Panel</p>		 <p>Front Panel</p>		 <p>Right Panel</p>	
A	1pc	B	1pc	C	1pc
 <p>Left Panel</p>		 <p>Bottom Panel</p>		 <p>Top Panel</p>	
D	1pc	E	1pc	F	1pc

HARDWARE LIST

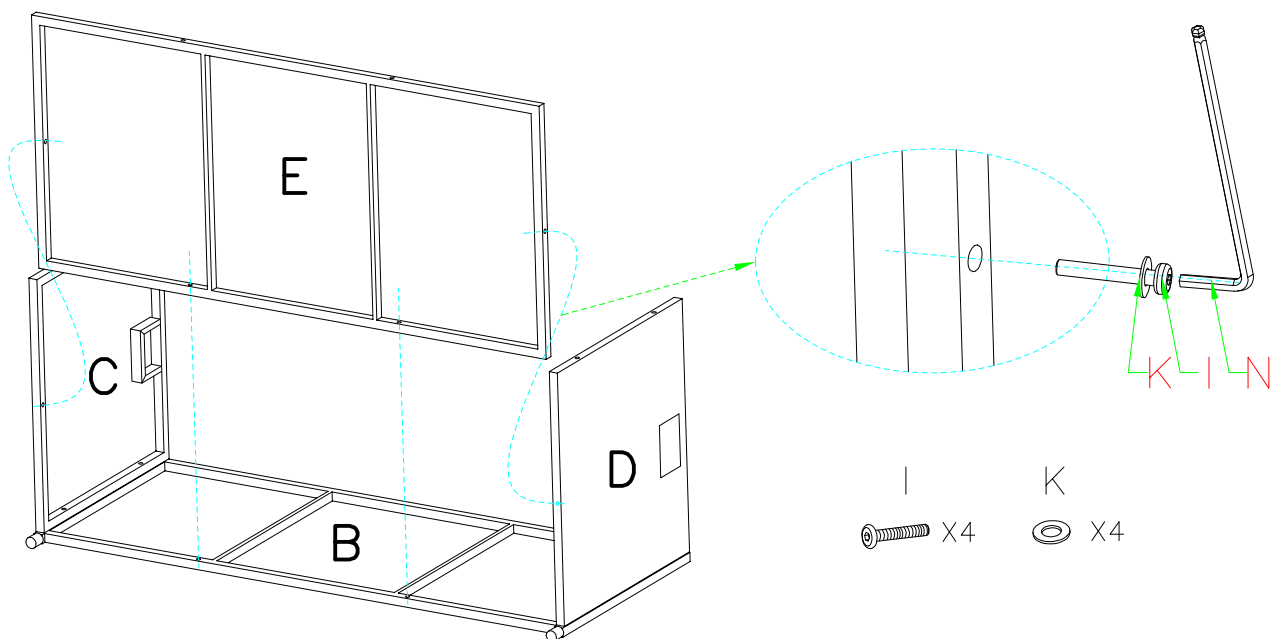
 <p>Short Bolt (M6*10mm)</p>		 <p>Mid Bolt (M6*20mm)</p>		 <p>Long Bolt (M6*40mm)</p>		 <p>Inner Thread Bolt (M6*40mm)</p>	
G	3pcs	H	4pcs	I	14pcs	J	3pcs
 <p>Flat Washer(M6mm)</p>		 <p>Plastic Washer</p>		 <p>Hinge Support</p>		 <p>Allen Key(M6mm)</p>	
K	18pcs	L	4pcs	M	2pcs	N	2pcs

Step 1. Lay Front Panel (B) down on a flat surface, attach Right Panel (C) and Left Panel (D) to Front Panel (B) using a Long Bolt (I) and Flat Washers (K).

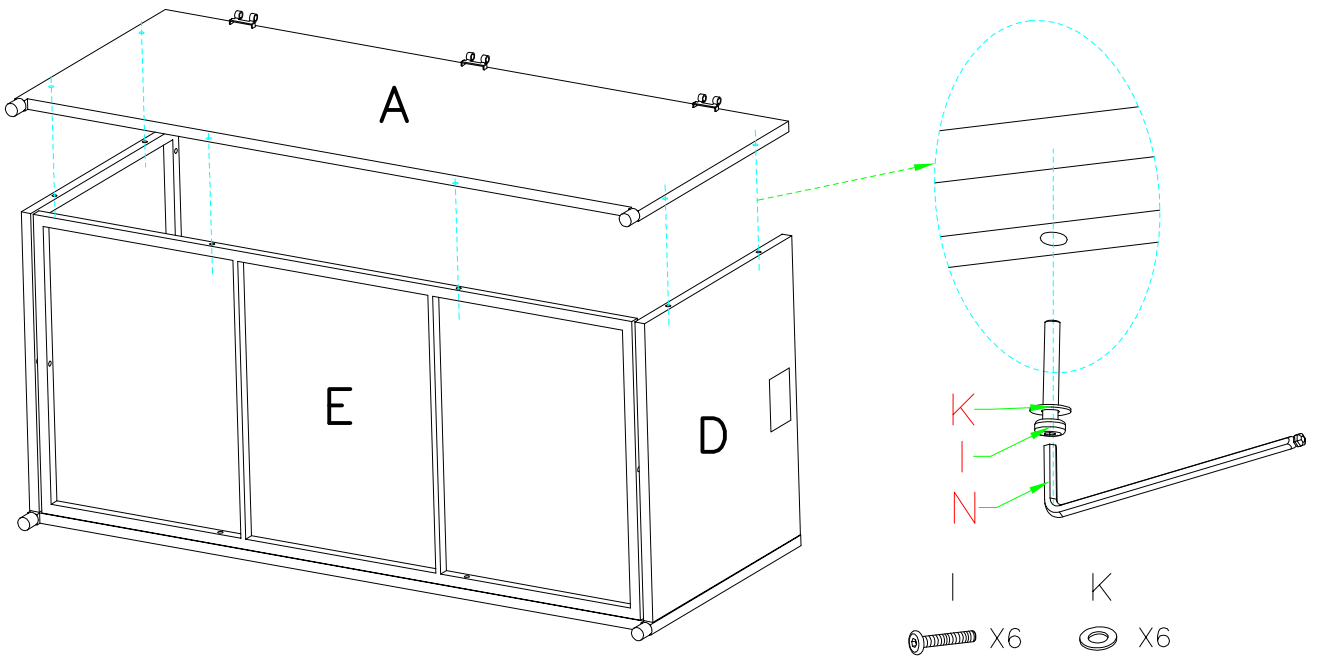
Note: Please do not tighten bolts before fully completing all assembly steps.



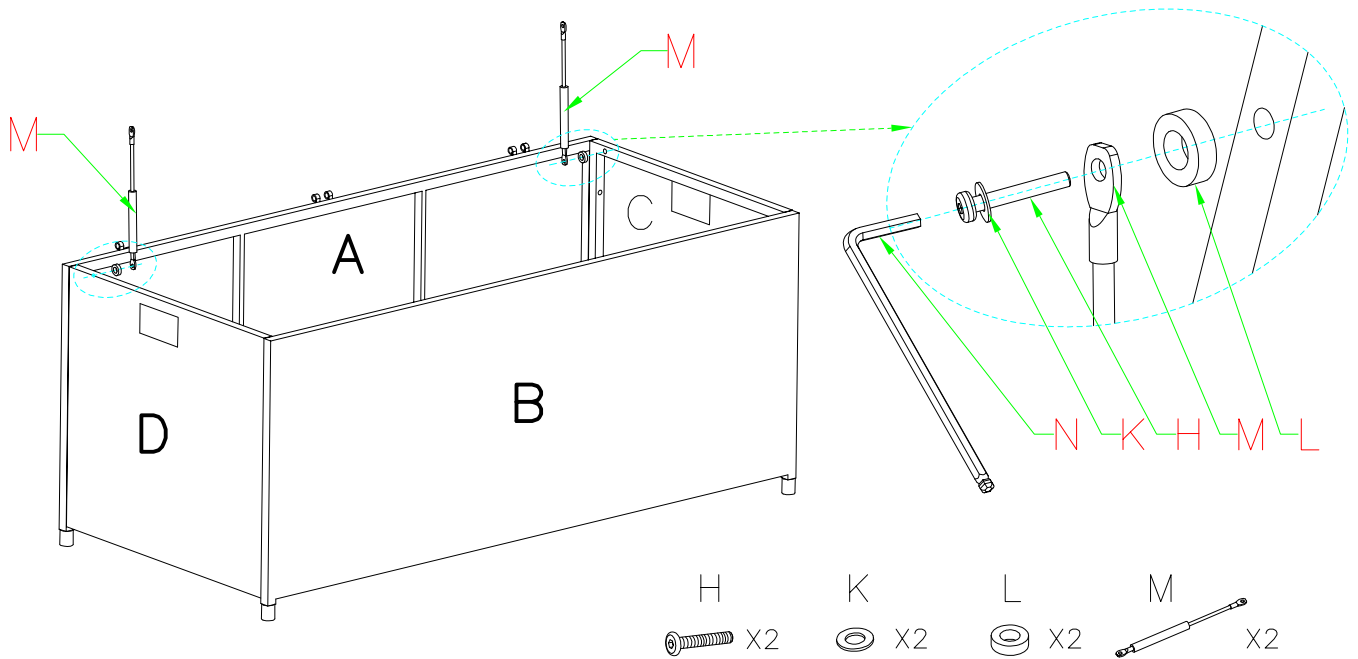
Step 2. Attach Bottom Panel (E) to Right Panel (C), Left Panel (D) and Front Panel (B) using a Long Bolt (I) and Flat Washer (K).



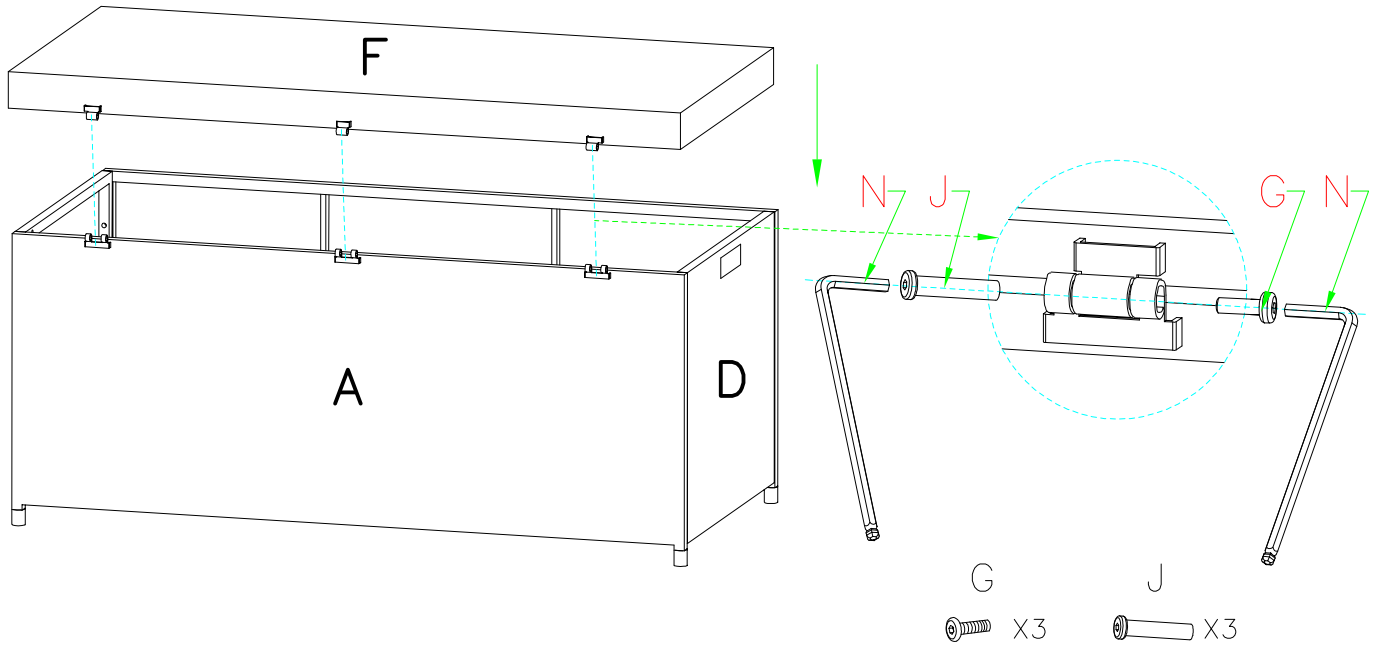
Step 3. Attach Back Panel (A) to Left Panel (D), Right Panel (C) and Bottom Panel (E) using a Long Bolt (I) and Flat Washer (K).



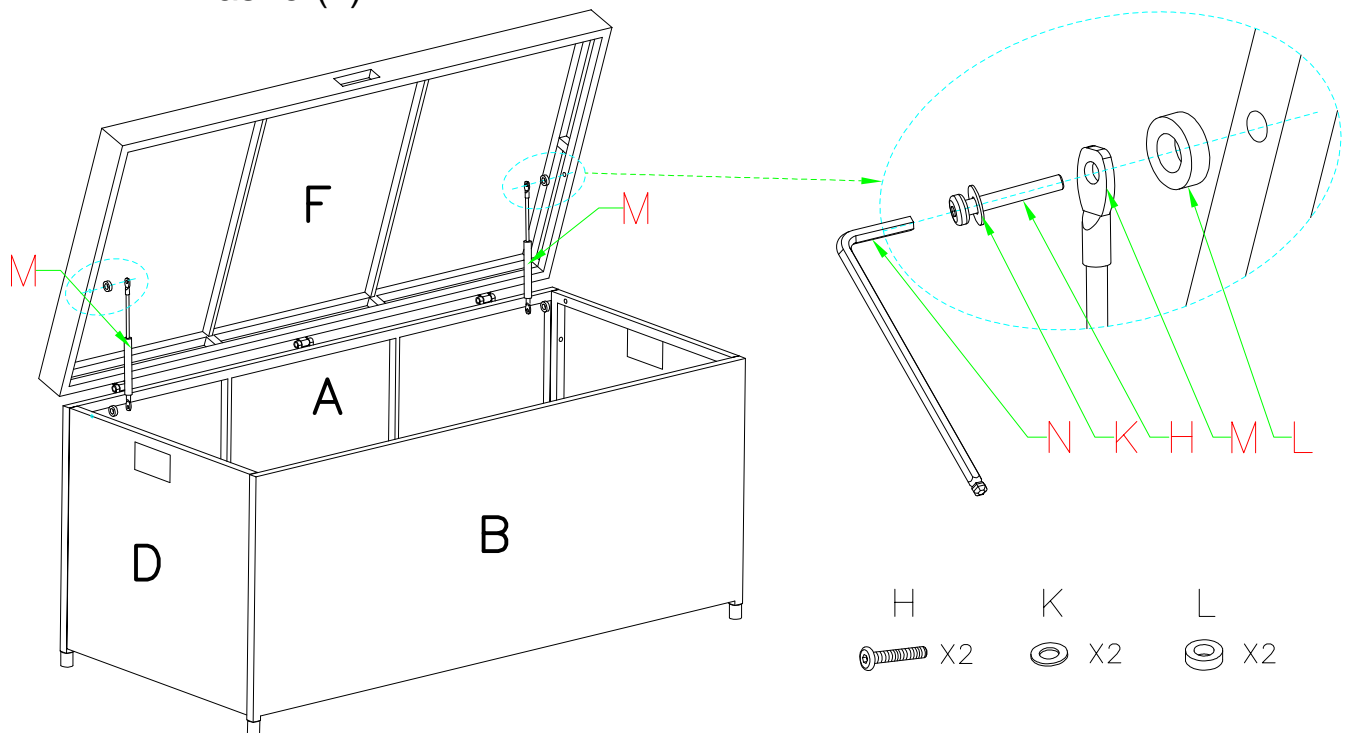
Step 4. Carefully turn over the box so that the legs are on floor. Attach Hinge Support (M) to Left Panel (D) and Right Panel (C) using a Mid Bolt (H), Flat Washer (K) and Plastic Washer (L).



Step 5. Attach Top Panel (F) to the Back Panel (A) using a Inner Thread Bolt (J),Short Bolt (G) and Alley Keys (N)



Step 6. Open Top Panel (F) and then attach Hinge Support (M) to Top Panel (F) using a Mid Bolt (H), Flat Waher (K) and Plastic Washer(L).



Step 7. Top Panel (F) can be opened and closed.

