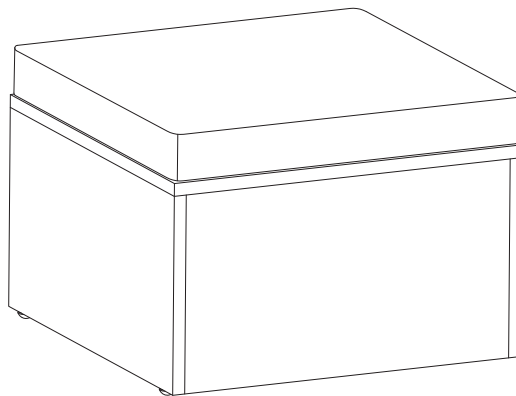

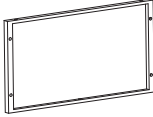
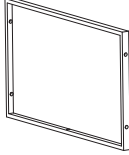
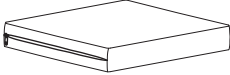





Outdoor Wicker Ottoman
CO7149

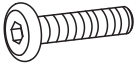


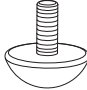


PART LIST

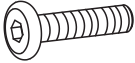

A 	B 	C 	D 	E 
Wicker Top 1 PC	Side Panel 2 PCS	End Panel 2 PCS	Cover of Seat Cushion * 1 PC	Core of Seat Cushion 1 PC

*Please note cushion covers will ship separately.

HARDWARE LIST

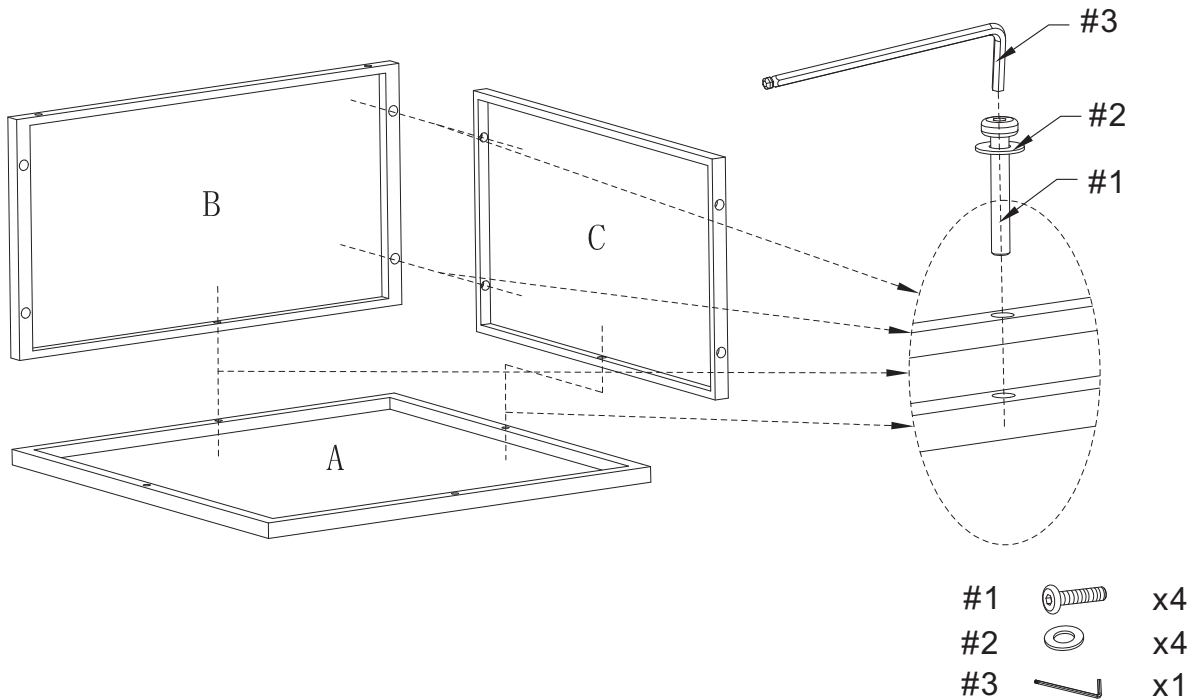
#1 	#2 	#3 	#4 
M6*30mm Bolt 12 PCS	M6mm Washer 12 PCS	M6mm Allen Key 1 PC	M6mm Adjustable Leveler 4 PCS

EXTRA HARDWARE LIST

#1 	#2 
M6*30mm Bolt 3 PCS	M6mm Washer 3 PCS

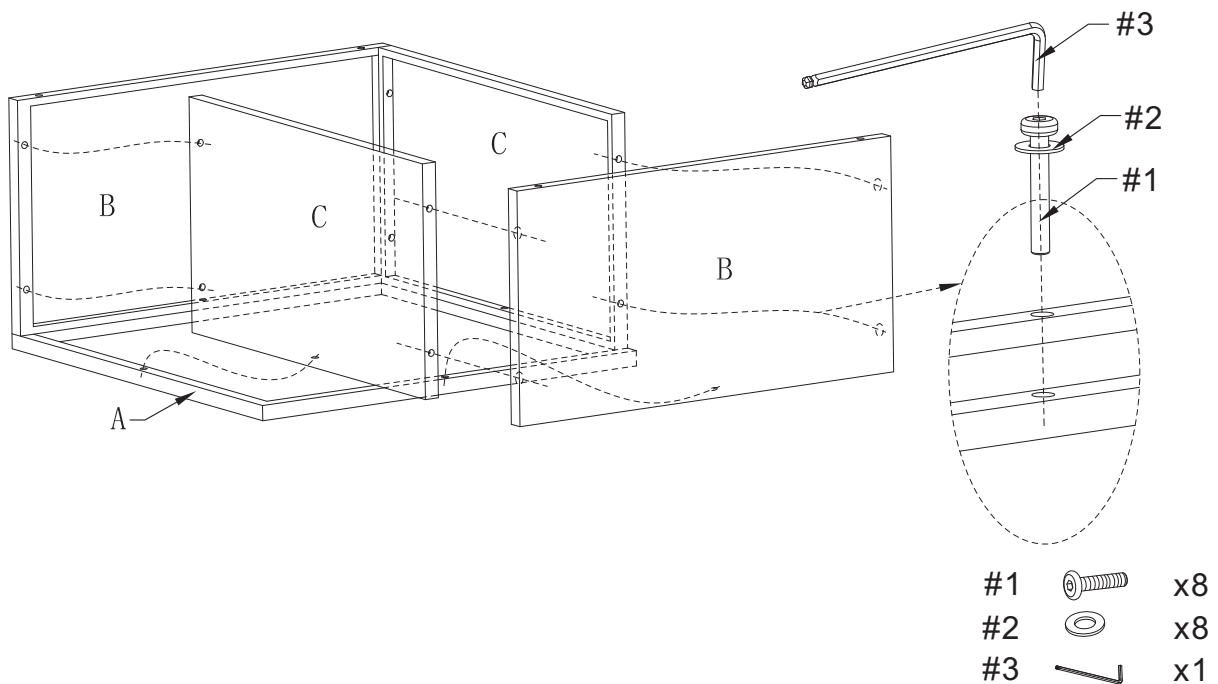
Step 1. Lay wicker top (part A) on a soft flat surface, such as carpet, as shown below. Attach side panel (part B) to top panel (part A), and then also attach end panel (part C) to side panel (part B) and top panel (part A) using bolts (part #1), washers (part #2) and allen key (part #3).

NOTE: Please do not fully tighten bolts until unit is fully assembled.

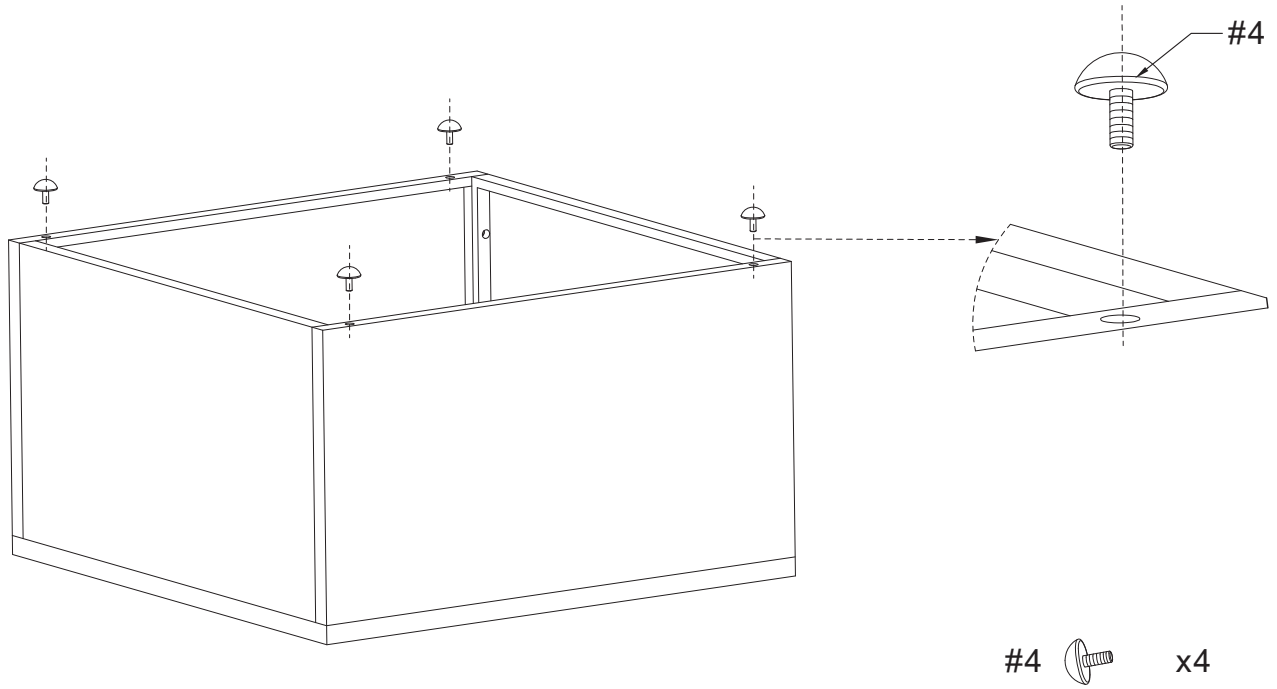


Step 2. Repeat step 1 to attach remaining side panel (part B) and end panel (part C), ensuring all touching panels (parts A, Bx2 & Cx2) are attached using bolts (part #1), washers (part #2) and allen key (part #3)

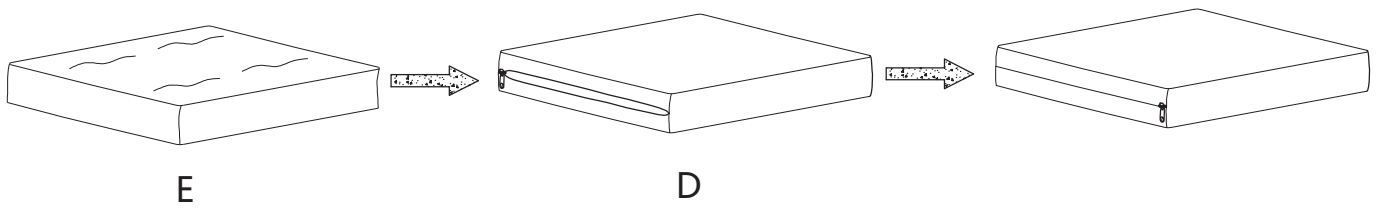
NOTE: Please fully tighten all bolts at this time.



Step 3. Screw adjustable levelers (part #4) to desired position in the pre-drilled holes on the bottom of the chair where shown.



Step 4. Insert core of seat cushion (part E) into cover of seat cushion (part D).



Step 5. Carefully turn the assembled chair upright and add cushions as shown below.

