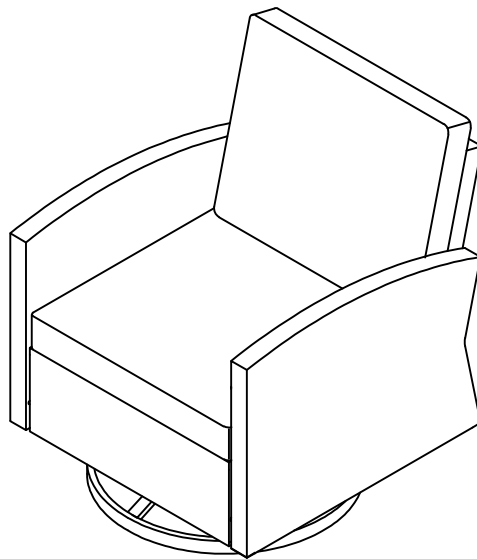
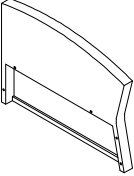
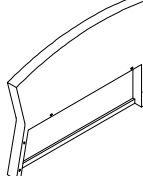
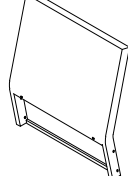
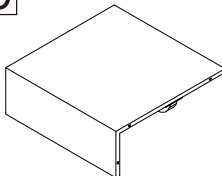
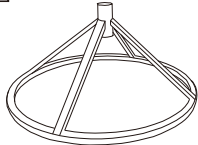


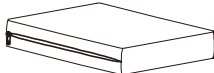



CROSLEY
FURNITURE

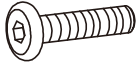
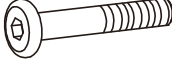



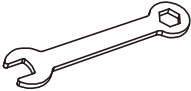

Outdoor Wicker Swivel Rocker Chair
CO7127



PART LIST

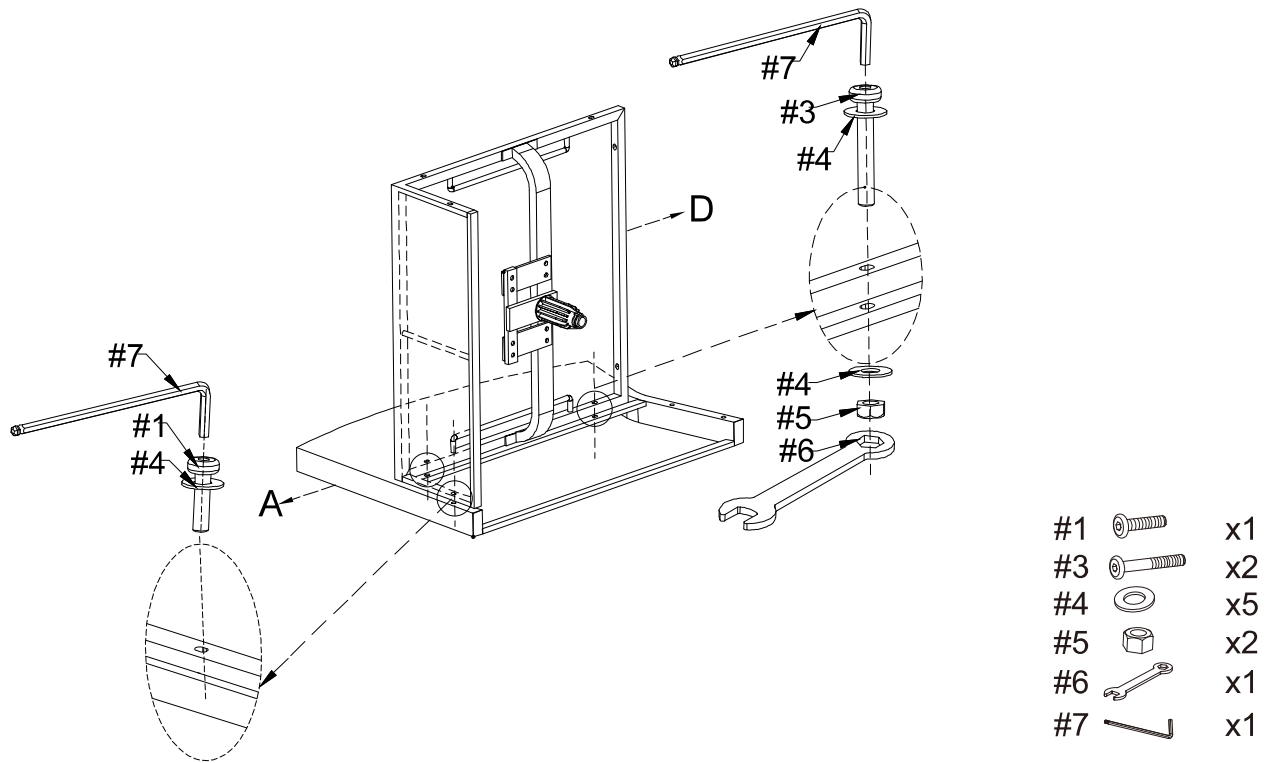
				
<p>Left Arm Panel 1 PC</p>	<p>Right Arm Panel 1 PC</p>	<p>Back Panel 1 PC</p>	<p>Seat Panel 1 PC</p>	<p>Base 1 PC</p>
				<p>*Please note cushion covers will ship separately.</p>
<p>Cover of Seat Cushion * 1 PC</p>	<p>Core of Seat Cushion 1 PC</p>	<p>Cover of Back Cushion * 1 PC</p>	<p>Core of Back Cushion 1 PC</p>	

HARDWARE LIST

 <p>M6*40mm</p>	 <p>M6*50mm</p>	 <p>M6*60mm</p>	 <p>M6mm</p>	 <p>M6mm</p>
<p>Bolt 2 PCS (Extra 1)</p>	<p>Medium Bolt 4 PCS (Extra 1)</p>	<p>Long Bolt 6 PCS (Extra 1)</p>	<p>Flat Washer 18 PCS (Extra 1)</p>	<p>Nut 6 PCS (Extra 1)</p>
 <p>M6mm</p>	 <p>M6mm</p>			
<p>Wrench 1 PC</p>	<p>Allen Wrench 1 PC</p>			

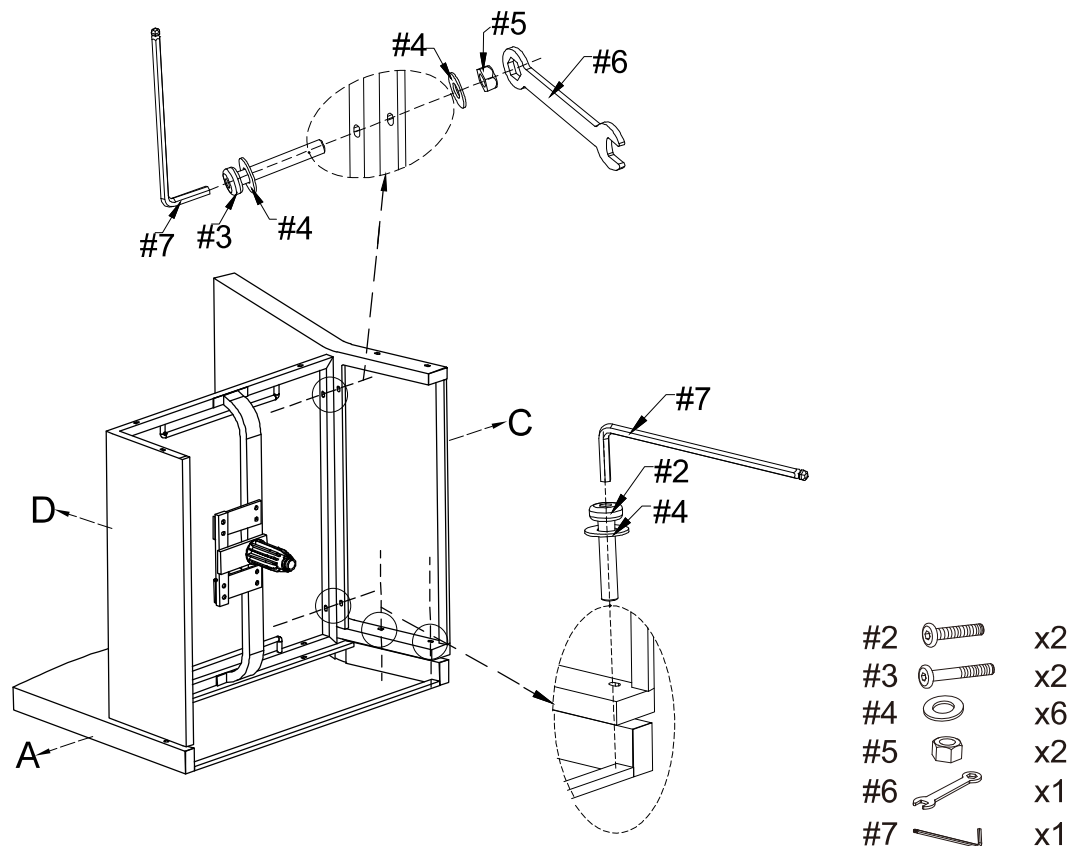
Step 1. Lay left arm panel (part A) down on a soft flat surface, such as carpet, as shown below. Attach seat panel (part D) to left arm panel (part A) using bolt (part #1), long bolts (part #3), flat washers (part #4), nuts (part #5), wrench (part #6) and allen wrench (part #7).

NOTE: Please do not fully tighten bolts until unit is fully assembled.



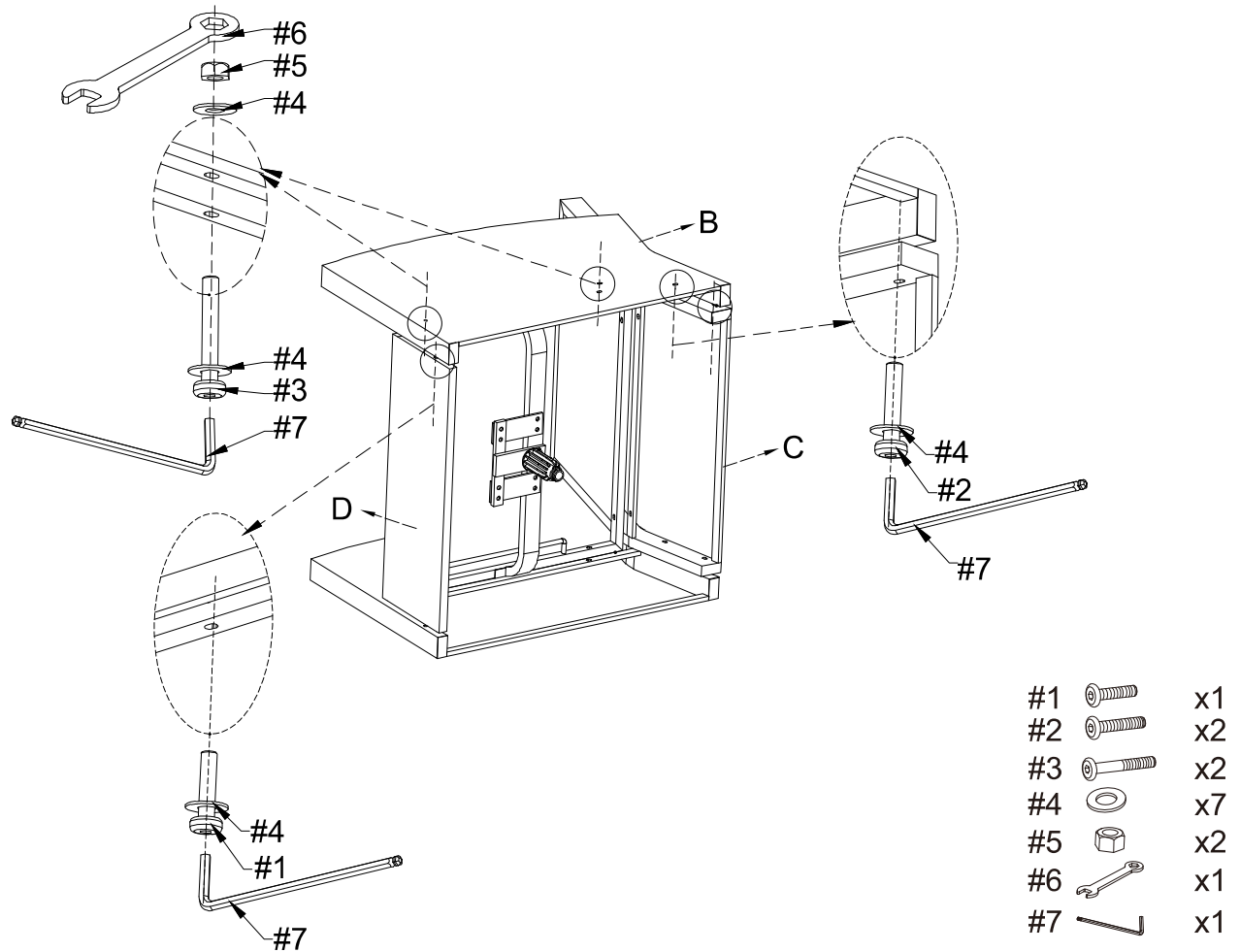
Step 2. Attach back panel (part C) to left arm panel (part A) and seat panel (part D) using medium bolts (part #2), long bolts (part #3), flat washers (part #4), nuts (part #5), wrench (part #6) and allen wrench (part #7).

NOTE: Please do not fully tighten bolts until unit is fully assembled.



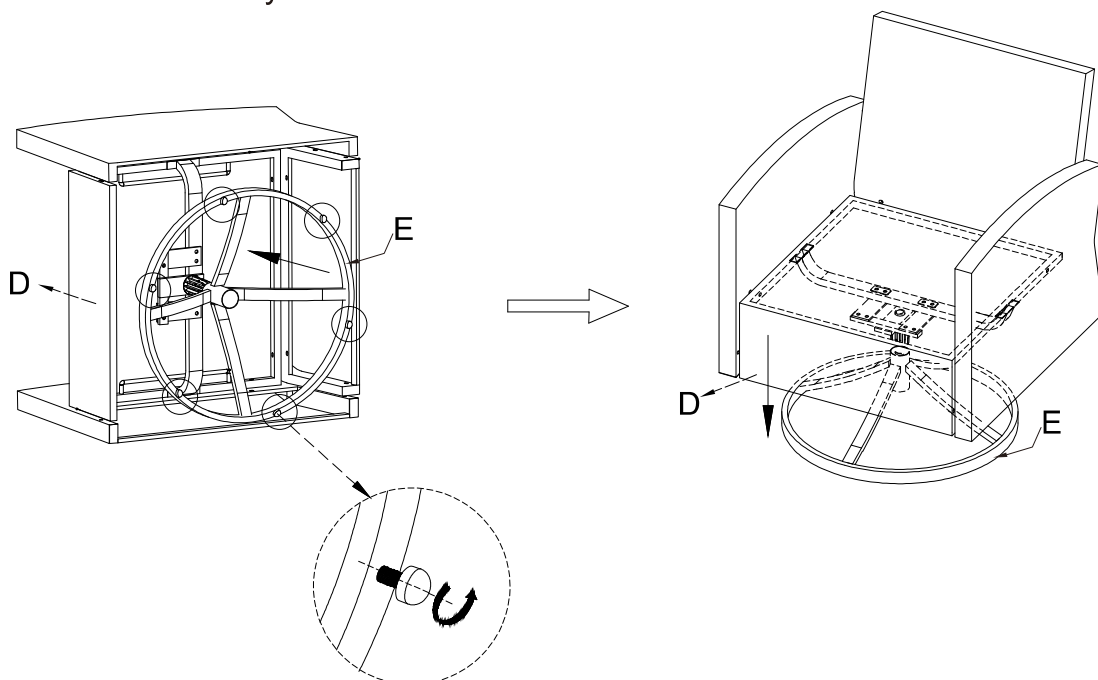
Step 3. Attach right arm panel (part B) to back panel (part C) and seat panel (part D) using bolt (part #1), medium bolts (part #2), long bolts (part #3), flat washers (part #4), nuts (part #5), wrench (part #6) and allen wrench (part #7).

NOTE: Please fully tighten all bolts at this time.

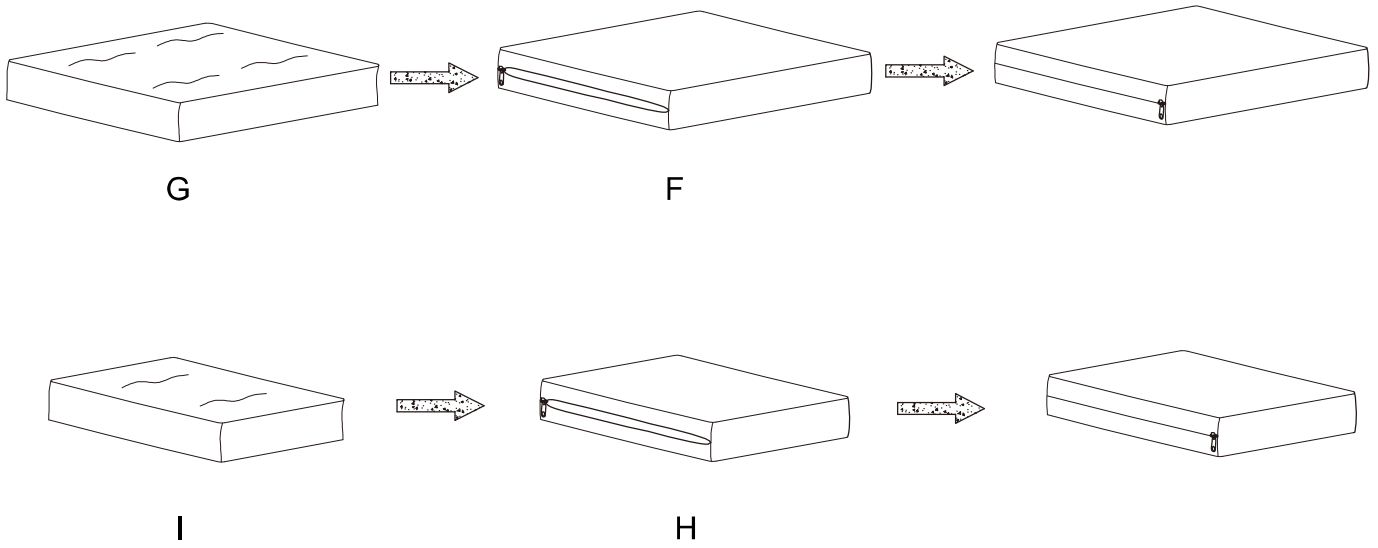


Step 4. Attach base (part E) to seat panel (part D). Carefully turn unit upright and push down gently to secure.

NOTE: It is important to adjust levelers once fully assembled and upright. Extend adjustable leveler until it's firmly in contact with the floor. If relocating, adjust leveler as needed until it's firmly in contact with the floor in new location.



Step 5. Insert core of seat cushion (part G) into cover of seat cushion (part F).
Insert core of back cushion (part I) into cover of back cushion (part H).



Step 6. Add cushions as shown below.

