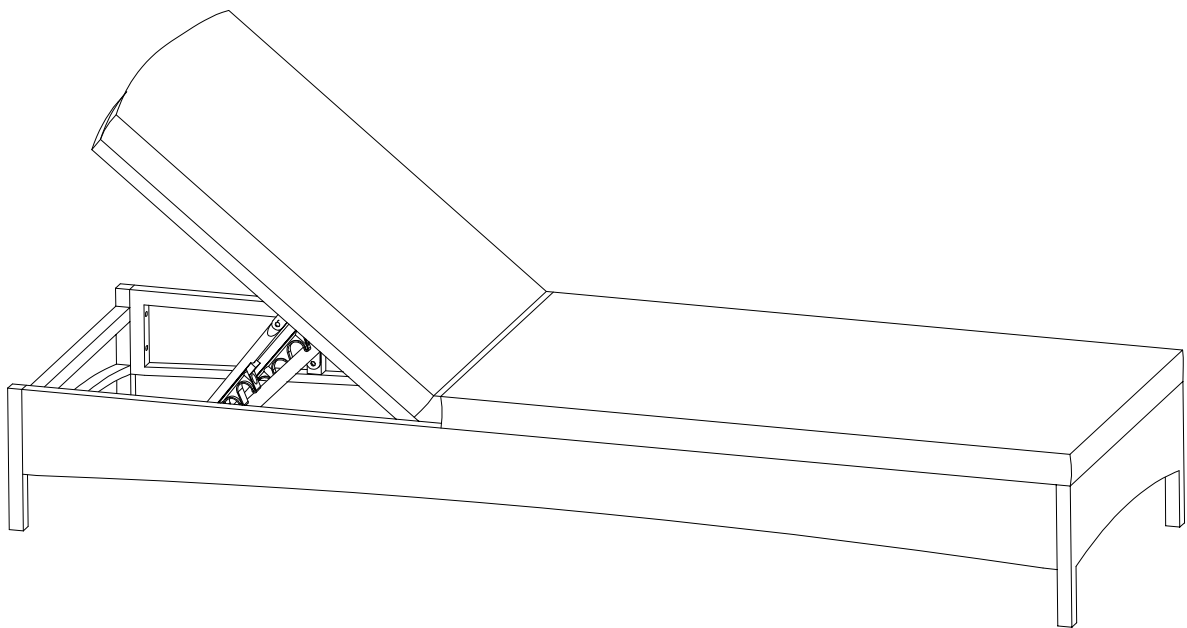
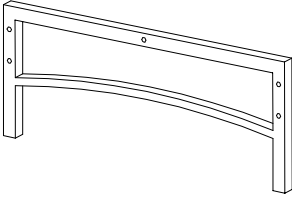
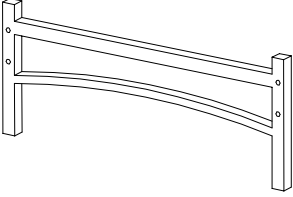
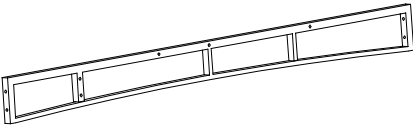
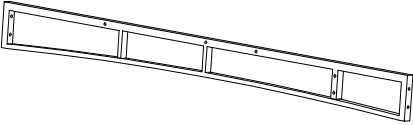
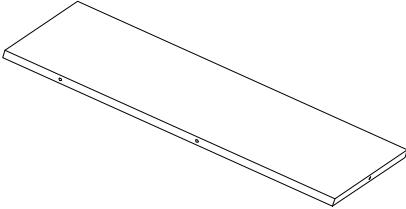
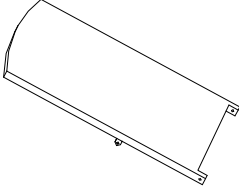
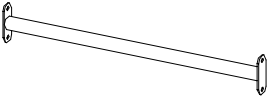
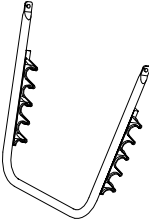
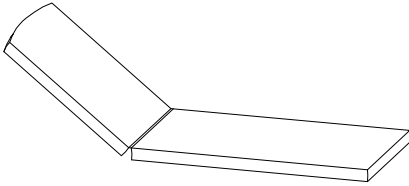




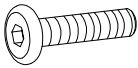
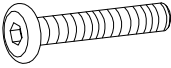
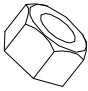
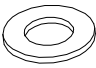
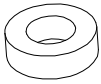

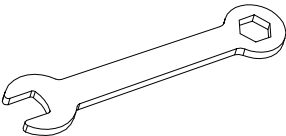
Palm Harbor Outdoor Wicker Chaise Lounge  
CO7122-BR



## PART LIST

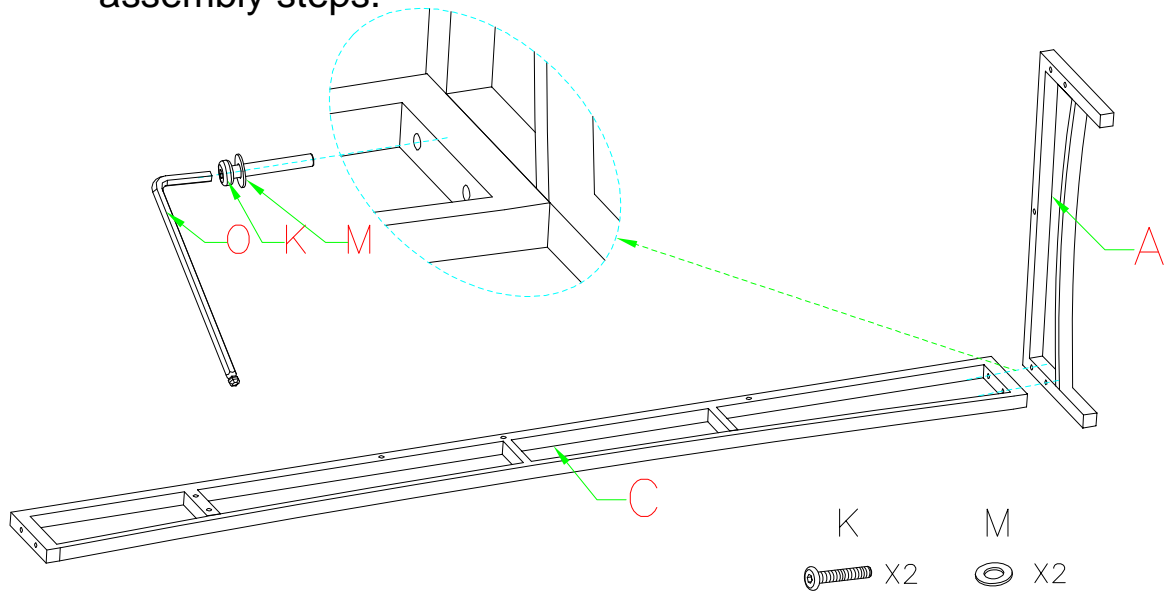
					
Front Panel		Back Panel		Right Side Panel	
A	1pc	B	1pc	C	1pc
					
Left Side Panel		Seat Panel		Backrest Panel	
D	1pc	E	1pc	F	1pc
					
Bar		U Bar		Cushion	
G	1pc	H	1pc	I	1pc

## HARDWARE LIST

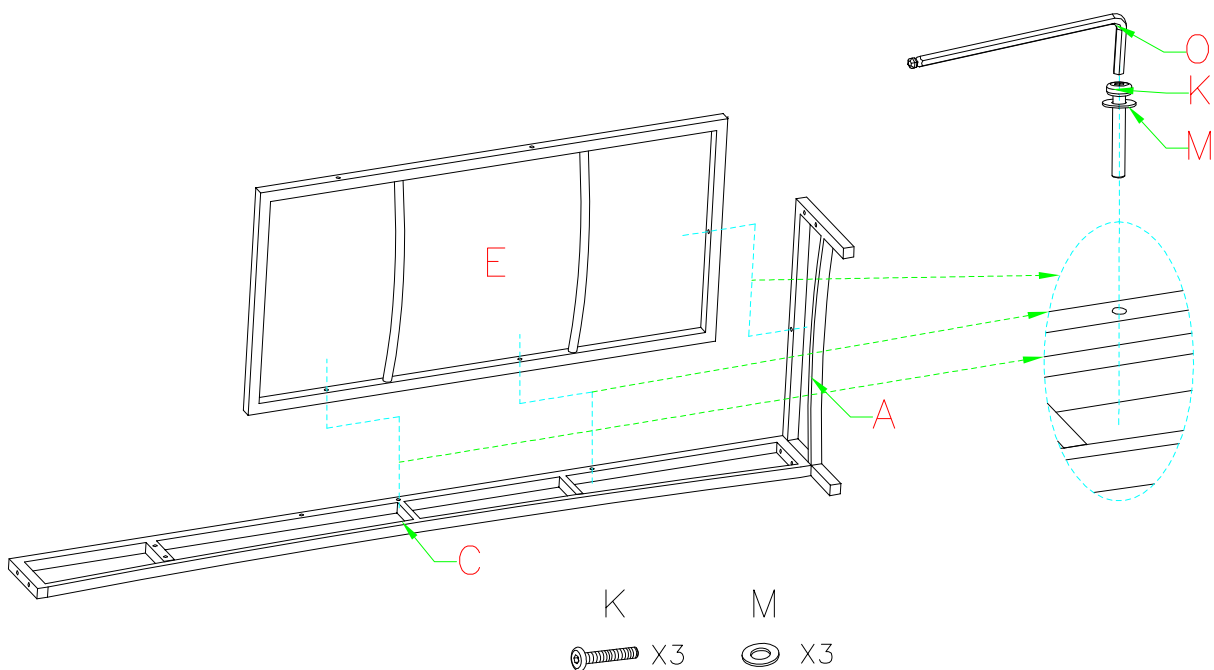
							
Short Bolt(M6*20mm)		Long Bolt(M6*45mm)		Nut(M6mm)		Flat Washer(M6mm)	
J	6pcs	K	15pcs	L	2pcs	M	23pcs
							
Plastic Washer		Allen Key(M6mm)		Wrench(M6mm)			
N	4pcs	O	1pc	P	1pc		

**Step 1.** Lay the Right Side Panel (C) down on a flat surface, and attach the Front Panel (A) to the Right Side Panel(C) using a Long Bolt (K) and Flat Washer (M).

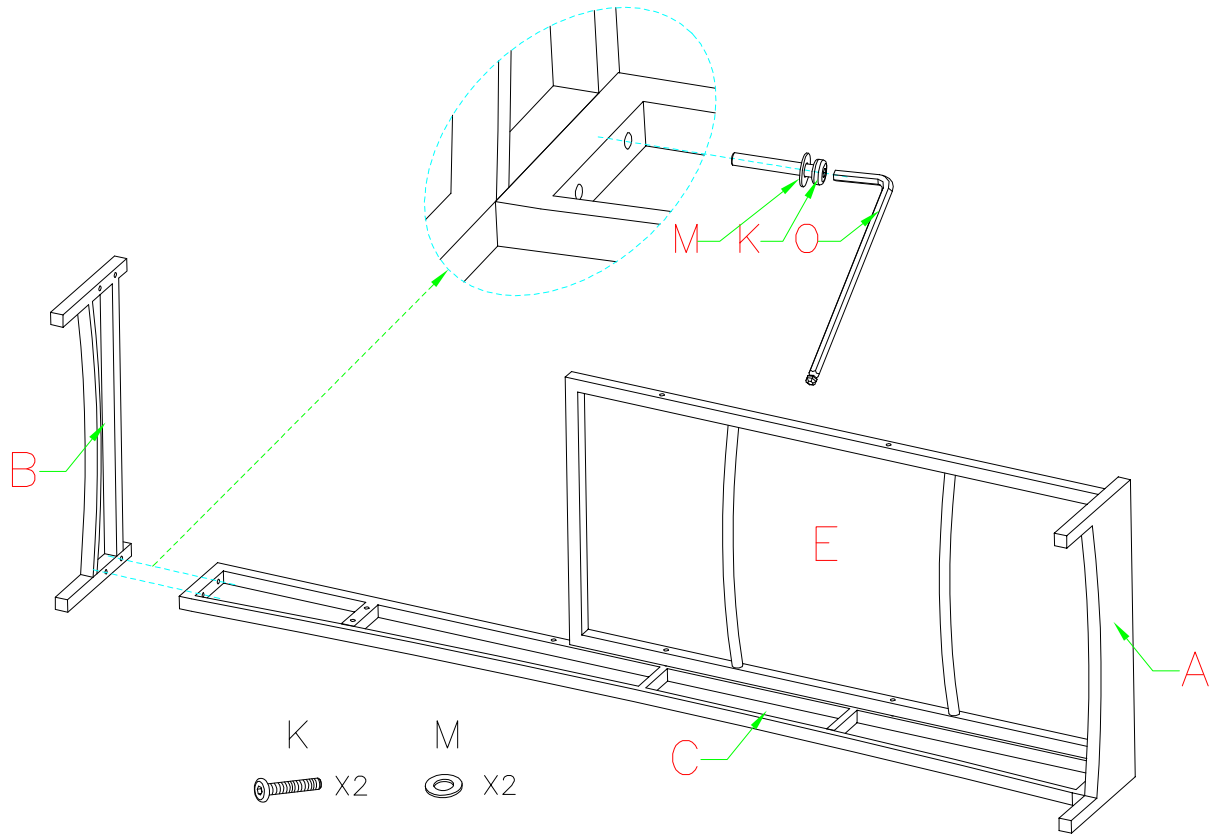
NOTE: Please do not tighten bolts before fully completing all assembly steps.



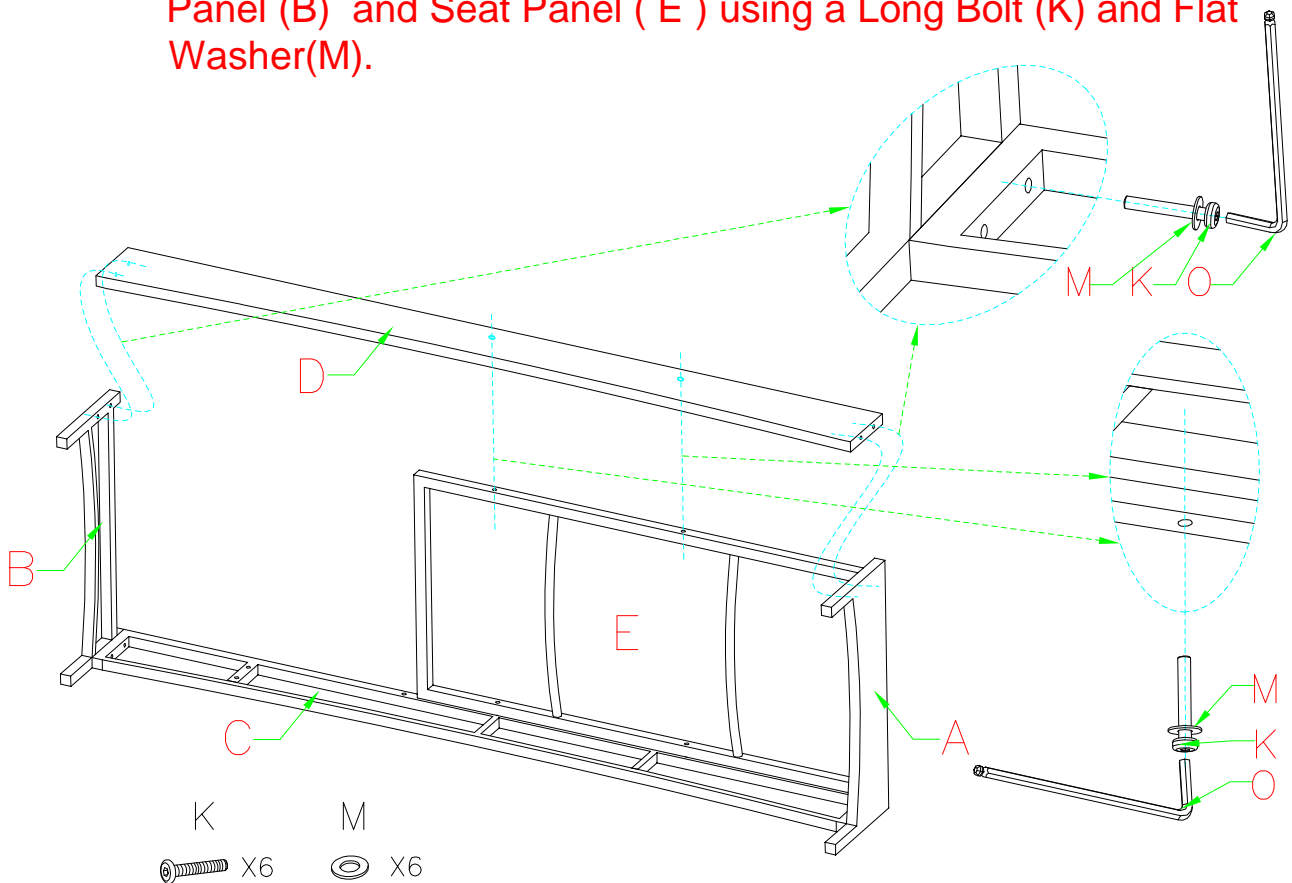
**Step 2.** Attach the Seat Panel ( E ) to the Right Side Panel ( C ) and the Front Panel (A) using a Long Bolt (K) and Flat washer(M).



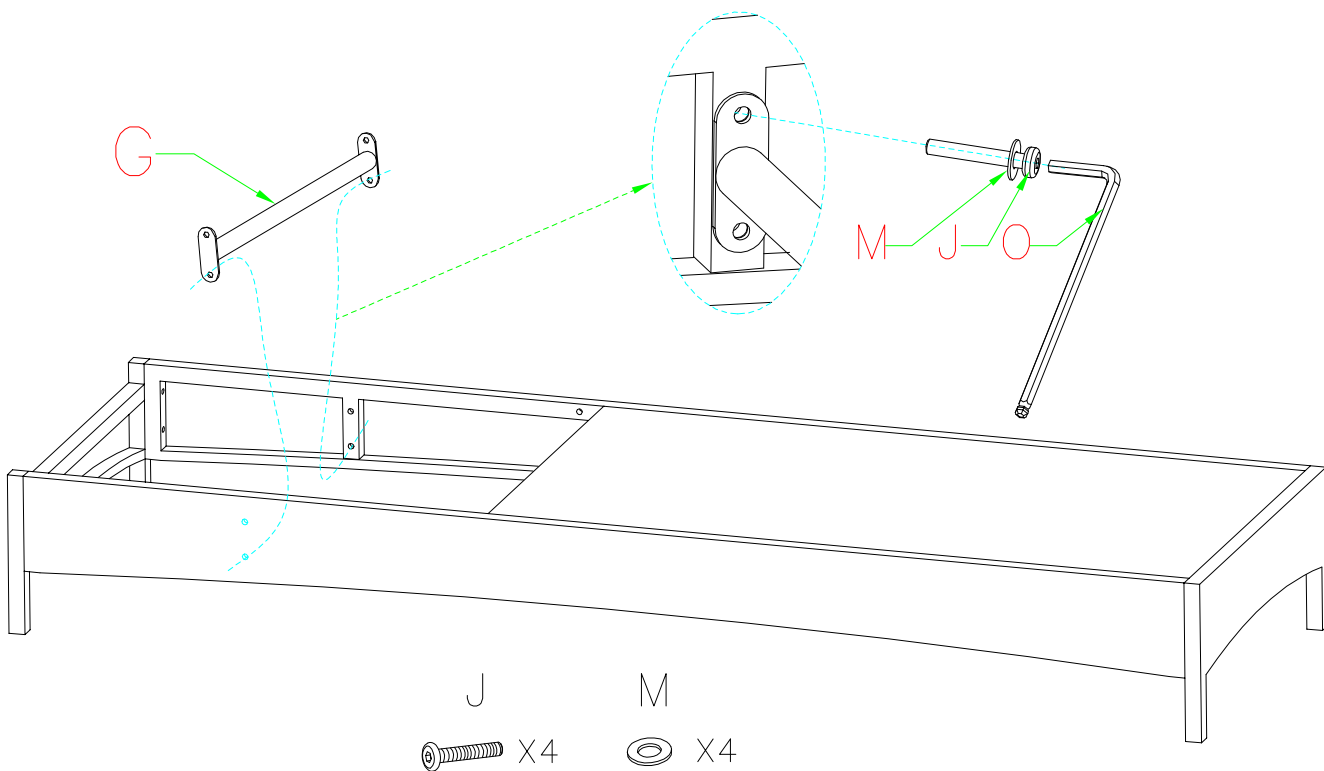
**Step 3.** Attach the Back Panel ( B ) to the Right Side Panel ( C ) using a Long Bolt ( K ) and Flat Washer ( M ).



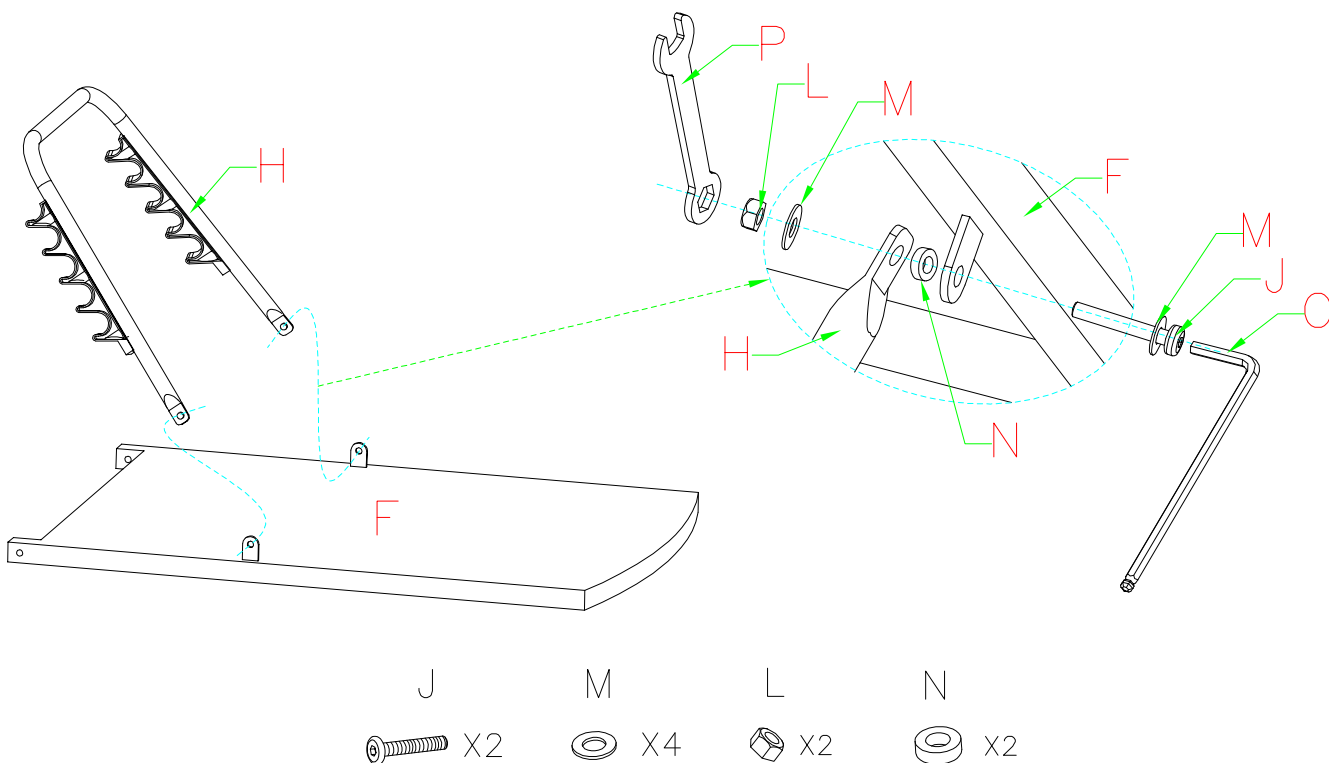
**Step 4.** Attach The Left Side Panel ( D ) to Front Panel ( A ), Back Panel ( B ) and Seat Panel ( E ) using a Long Bolt ( K ) and Flat Washer ( M ).



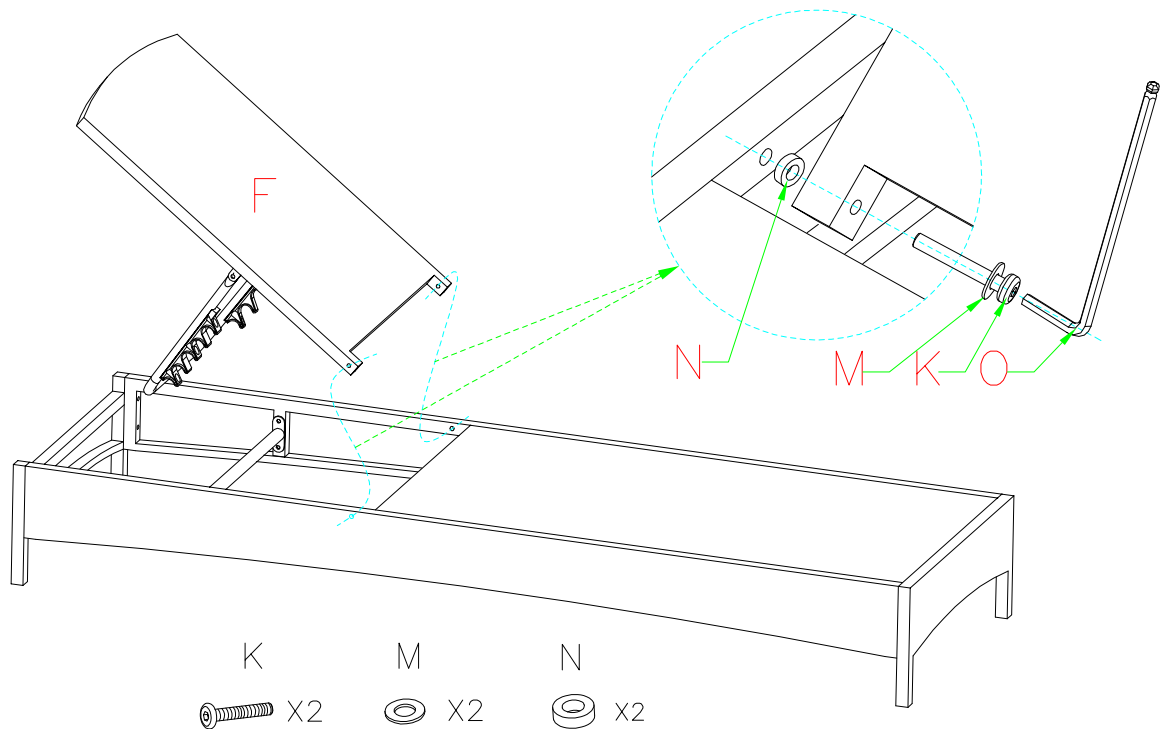
**Step 5.** Attach the Bar ( G ) to the Right Side Panel ( C ) and Left Side Panel ( D ) using a Short Bolt ( J ) and Flat Washer ( M ).



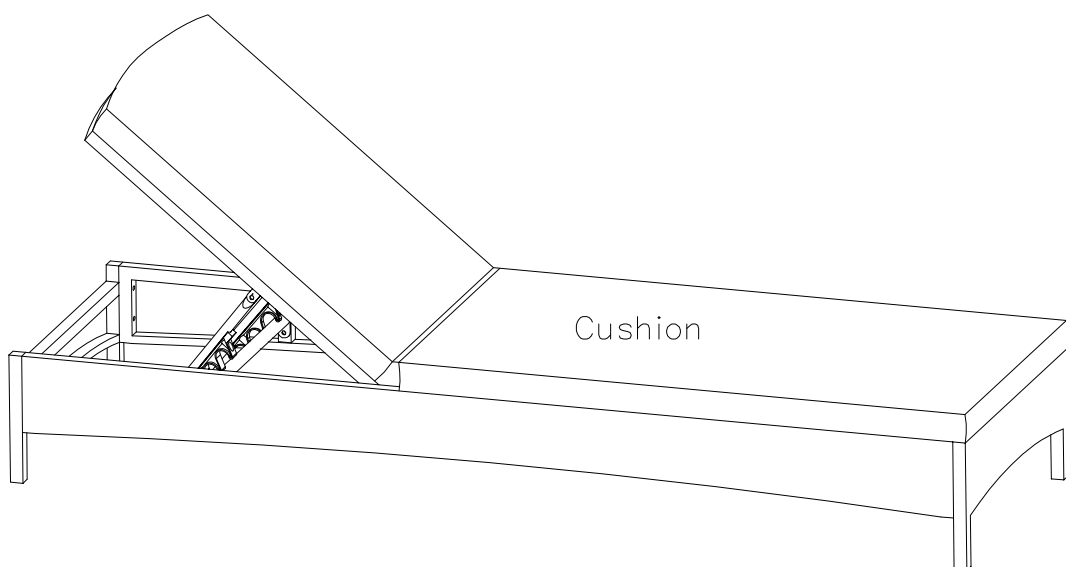
**Step 6.** Lay the Backrest Panel ( F ) down on a flat surface, attach the U Bar ( H ) to the Backrest Panel ( F ) using a Short Bolt ( J ), Flat Washer ( M ), Plastic Washer ( N ) and Nut ( L ).



**Step 7.** Attach the assembled Backrest Panel ( F ) to the Right Side Panel ( C ) and Left Side Panel ( D ) using a Long Bolt ( K ), Flat Washer(M) and Plastic Washer(N).



**Step 8.** Place the Cushion (I) on top of the lounge chair.



Warning: Before using please make sure the position is stuck fully with the bar.

