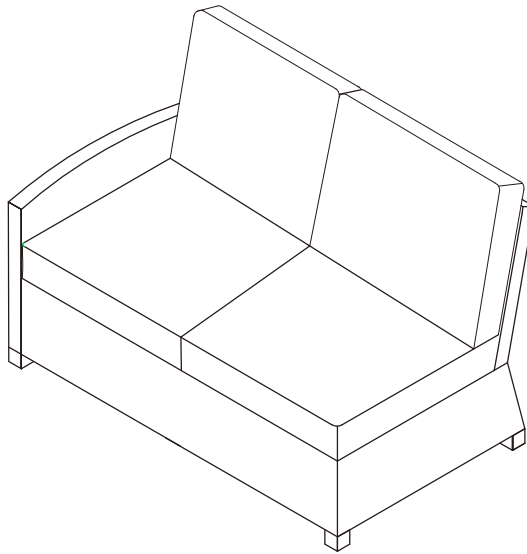
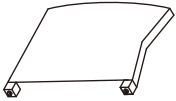

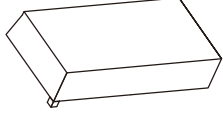


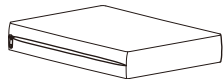





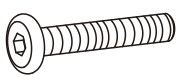
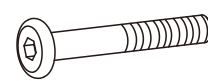



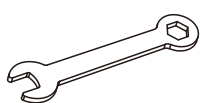
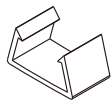
Outdoor Wicker Sectional Loveseat  
Left Corner  
CO7112



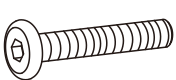
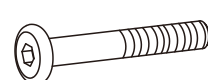


# PART LIST

<b>A</b> 	<b>B</b> 	<b>C</b> 	<b>D</b> 	<b>E</b> 
Arm Panel 1 PC	Back Panel 1 PC	Seat Panel 1 PC	Cover Of Seat Cushion * 2 PCS	Core Of Seat Cushion 2 PCS
<b>F</b> 	<b>G</b> 	*Please note cushion covers will ship separately.		
Cover Of Back Cushion * 2 PCS	Core Of Back Cushion 2 PCS			

# HARDWARE LIST

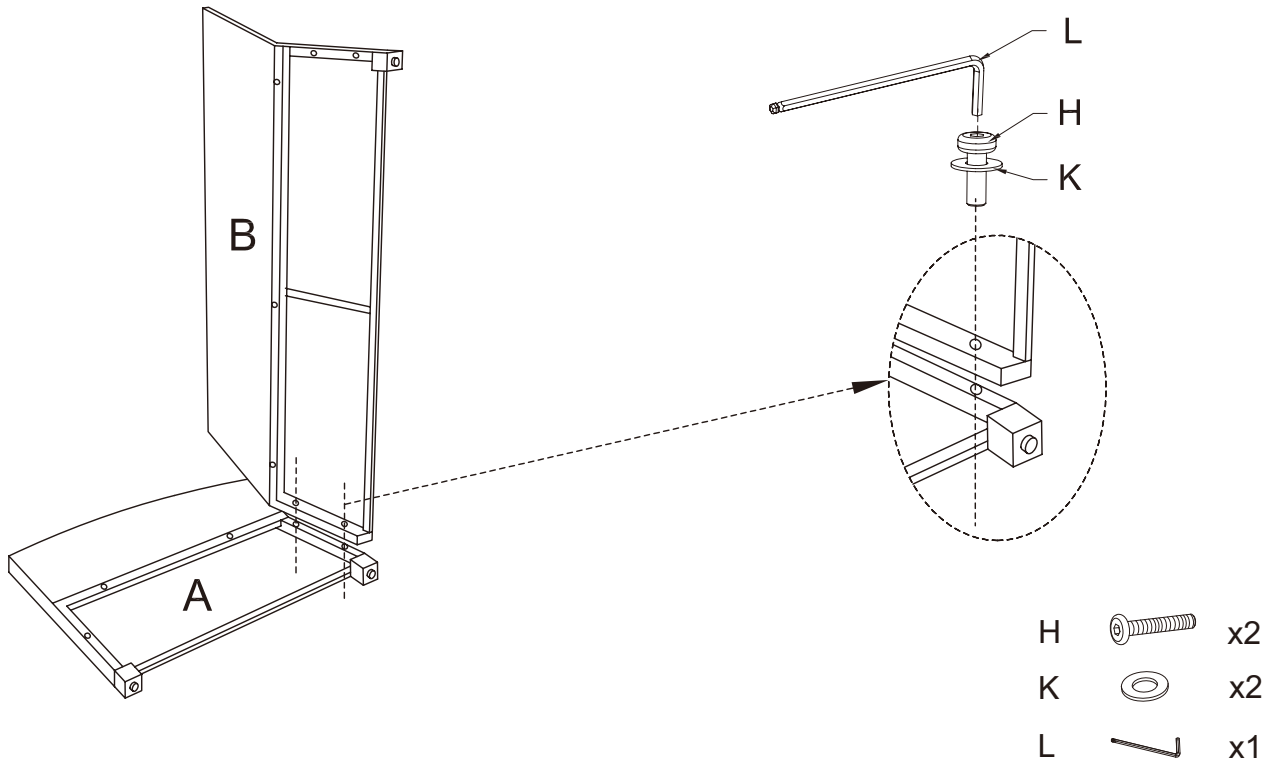
<b>H</b> 	<b>I</b> 	<b>J</b> 	<b>K</b> 	<b>L</b> 
M6*55mm  Medium Bolt 5 PCS	M6*65mm  Long Bolt 5 PCS	M6mm  Nut 5 PCS	M6mm  Washer 15 PCS	M6mm  Allen Key 1 PC
<b>M</b> 	<b>N</b> 			
M6mm  Wrench 1 PC	Plastic Clip 2 PCS			

# EXTRA HARDWARE LIST

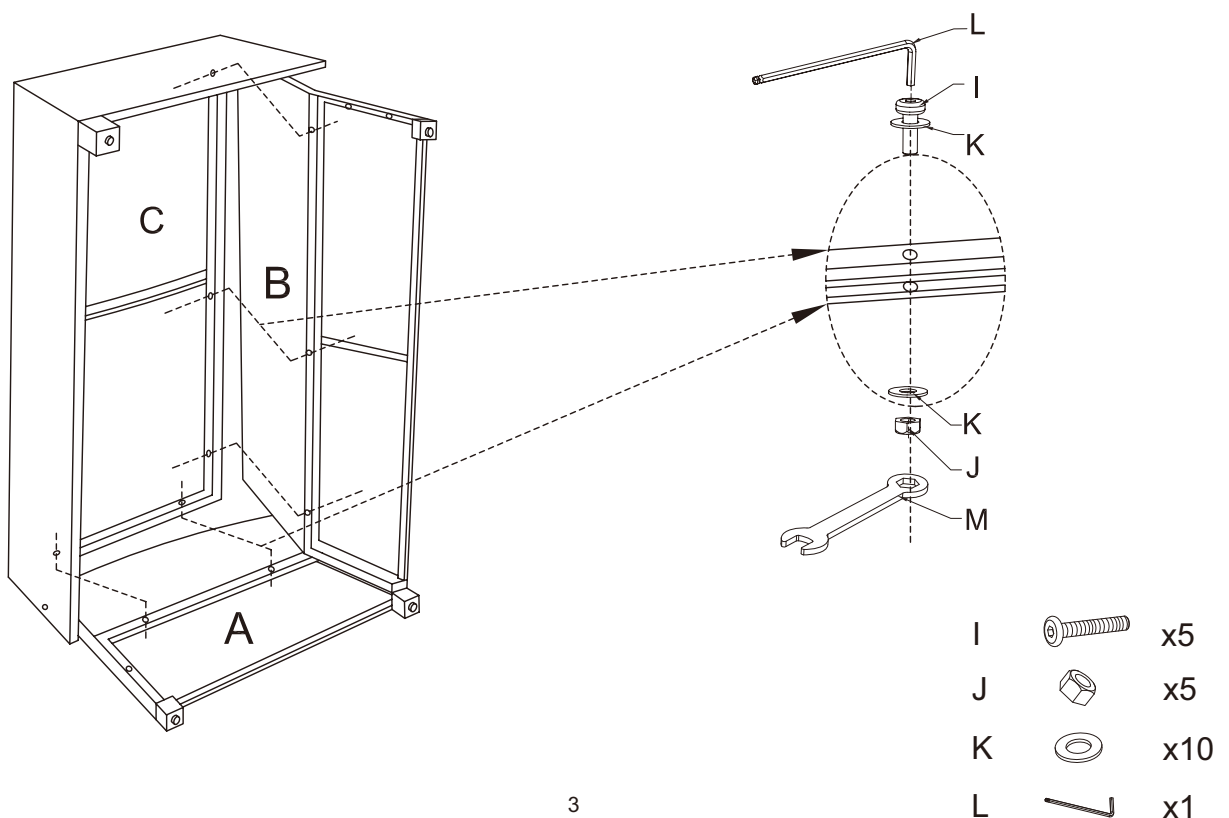
<b>H</b> 	<b>I</b> 	<b>J</b> 	<b>K</b> 
M6*55mm  Medium Bolt 2 PCS	M6*65mm  Long Bolt 2 PCS	M6mm  Nut 2 PCS	M6mm  Washer 3 PCS

**Step 1.** Lay Arm Panel (A) down on a flat surface. Attach Back Panel(B) to Arm Panel(A) using the Short Bolts(H), Washers(K), & Allen Key (L).

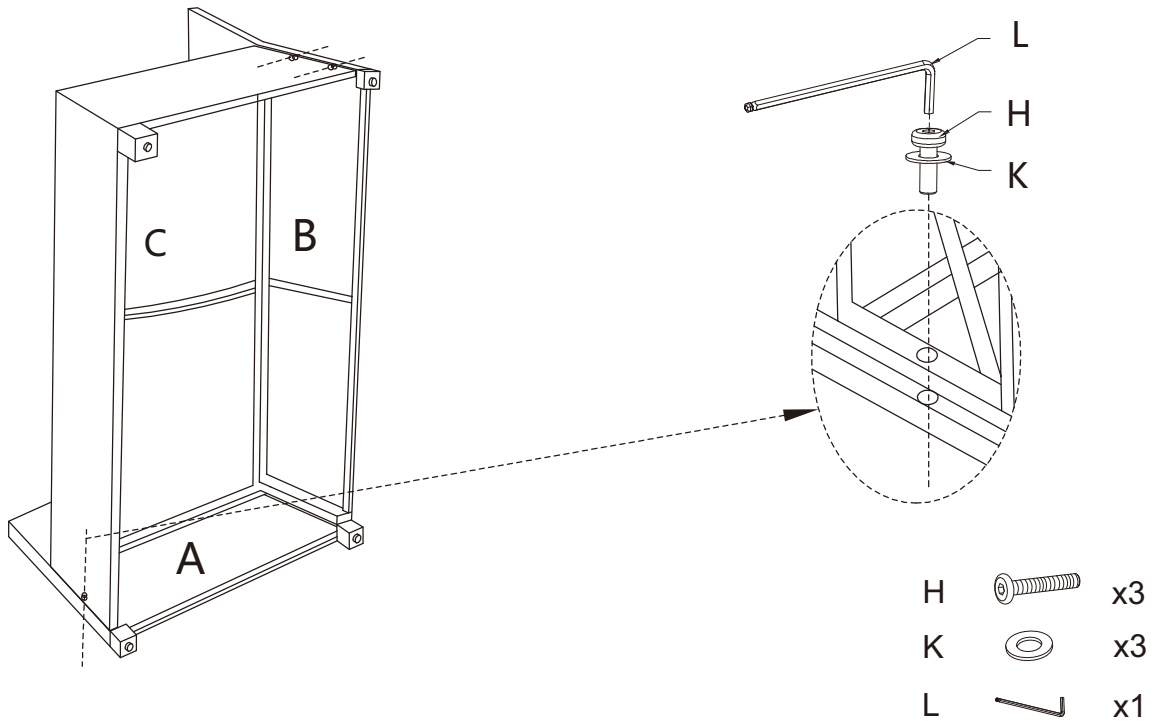
NOTE: Please do not fully tighten bolts until unit is fully assembled



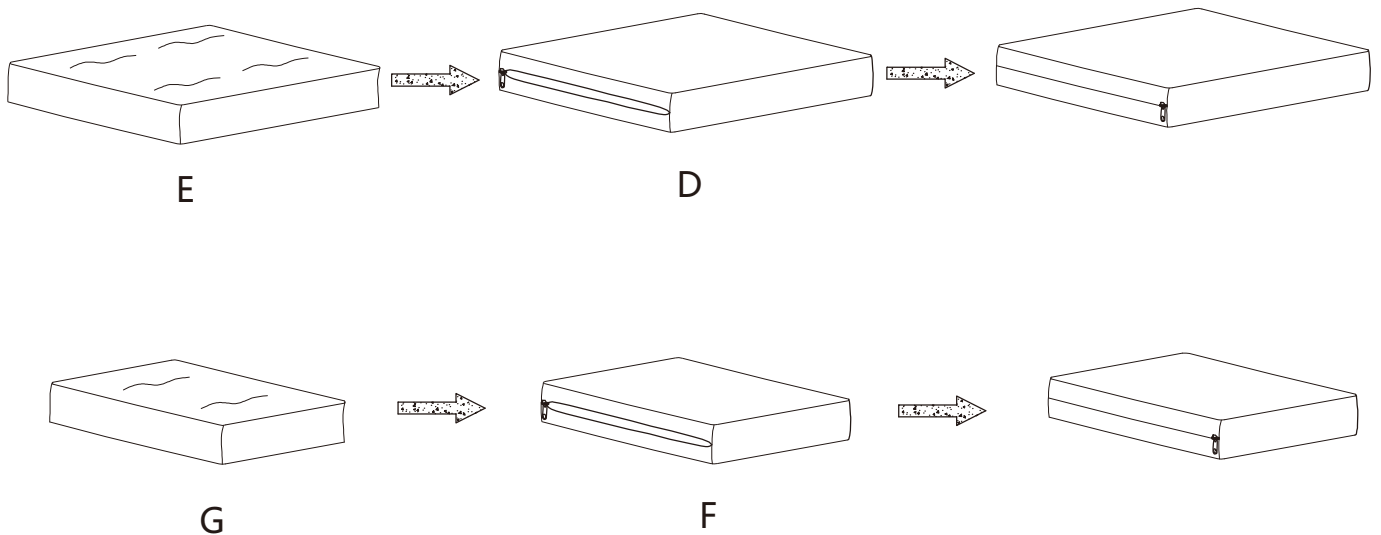
**Step 2.** Attach Seat Panel(C) to Arm Panel(A) and Back Panel (B) using the Long Bolts( I) Washers(K), Nuts(J), Wrench (M) & Allen Key (L).



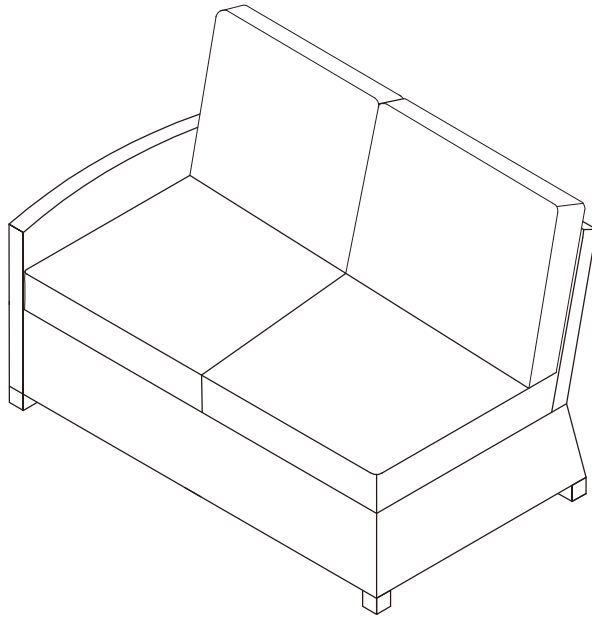
**Step 3** Attach Seat Panel (C) to Arm Panel (A) and Back Panel (B) using the Short Bolts(H), Washers (K) & Allen Key (L).



**Step 4** Insert Core Of Seat Cushion (E) into Cover Of Seat Cushion (D).  
Insert Core Of Back Cushion (G) into Cover Of Back Cushion (F).



**Step 5.** Place Seat Cushion and Back Cushion on the loveseat.



**Step 6.** Use plastic clips (part N) to secure additional units together as shown.

