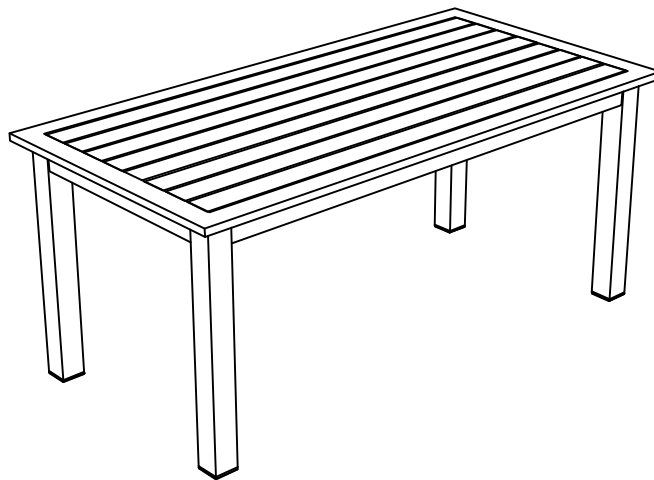
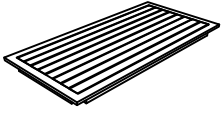
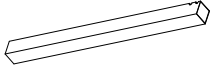




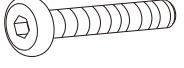


Outdoor Coffee Table
CO6243



PART LIST

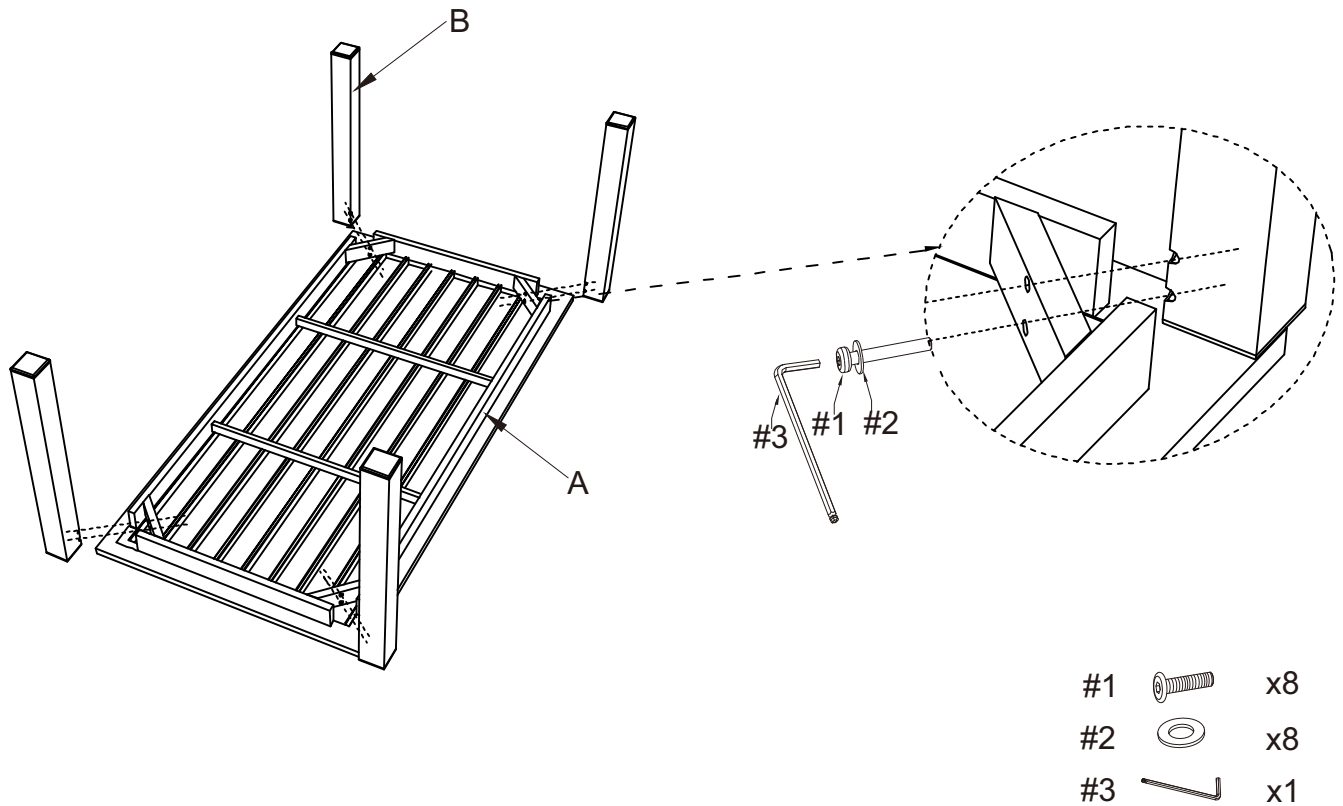
| | |
|----------------------------------------------------------------------------------------------|-----------------------------------------------------------------------------------------------|
| A  | B  |
| Top Panel 1 PC | Leg 4 PCS |

HARDWARE LIST

| | | |
|----------------------------------------------------------------------------------------------------------|--------------------------------------------------------------------------------------------------------|------------------------------------------------------------------------------------------------|
| #1  M6*40mm | #2  M6mm | #3  |
| Bolt 8 PCS (Extra 1) | Flat Washer 8 PCS (Extra 1) | Allen Wrench 1 PC |

Step 1. Lay top panel (part A) down on a soft flat surface, such as carpet, as shown below. Attach legs (part B) to top panel (part A) using bolts (part #1), flat washers (part #2) and allen wrench (part #3).

NOTE: Please fully tighten all bolts at this time.



Step 2. Carefully turn assembled unit upright on a flat surface.

