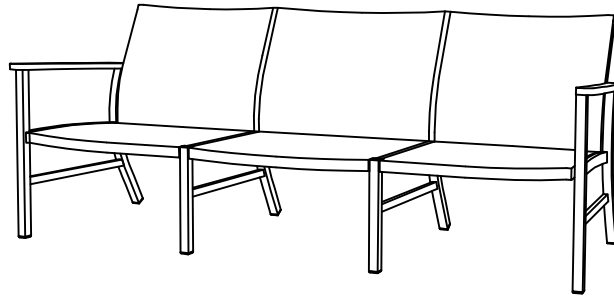
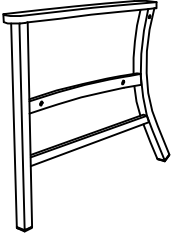
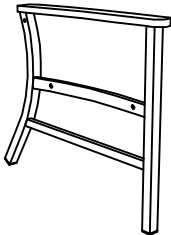
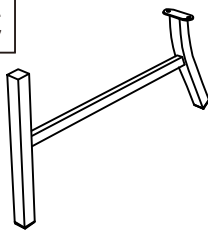
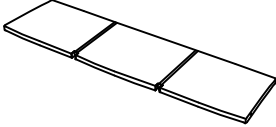
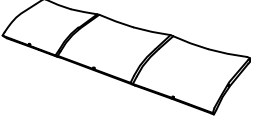




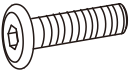
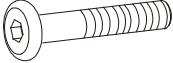
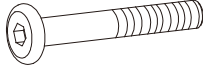


Outdoor Wicker Sofa
CO6240



PART LIST

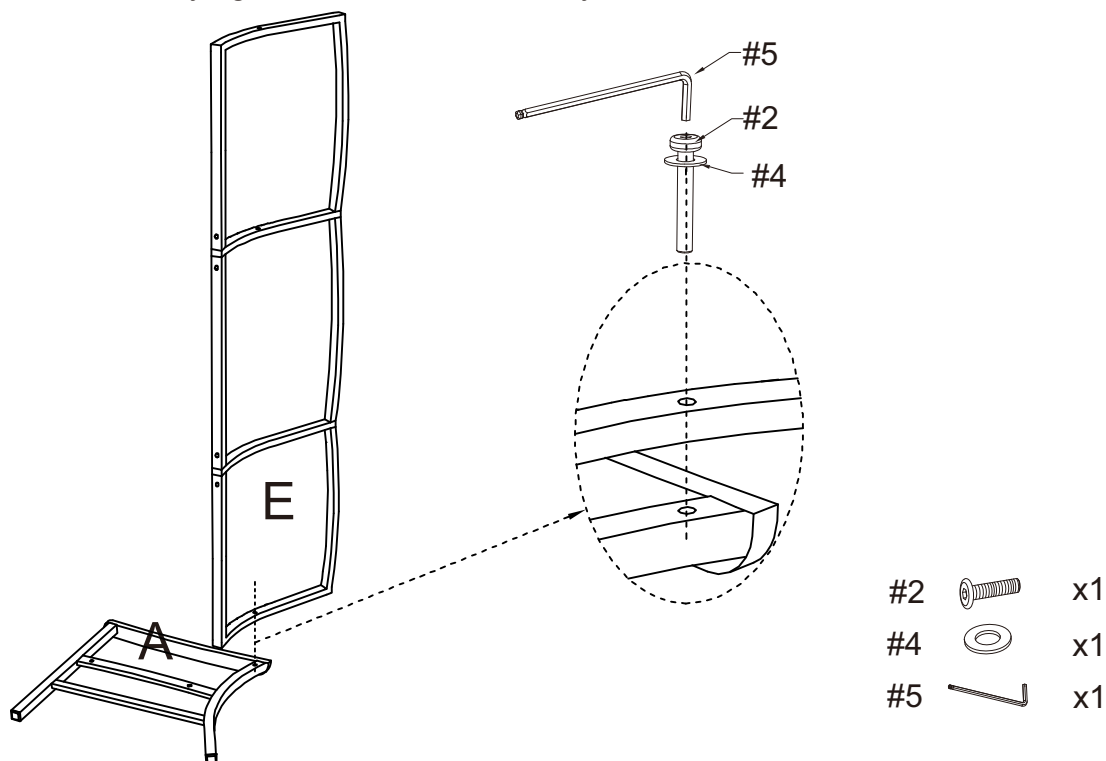
				
<p>Left Arm Panel 1 PC</p>	<p>Right Arm Panel 1 PC</p>	<p>Center Leg 2 PCS</p>	<p>Seat Panel 1 PC</p>	<p>Back Panel 1 PC</p>

HARDWARE LIST

				
<p>#1 M6*20mm Short Bolt 6 PCS (Extra 1)</p>	<p>#2 M6*45mm Medium Bolt 6 PCS (Extra 1)</p>	<p>#3 M6*50mm Long Bolt 3 PCS (Extra 1)</p>	<p>#4 M6mm Flat Washer 15 PCS (Extra 1)</p>	<p>#5 M6mm Allen Wrench 1 PC</p>

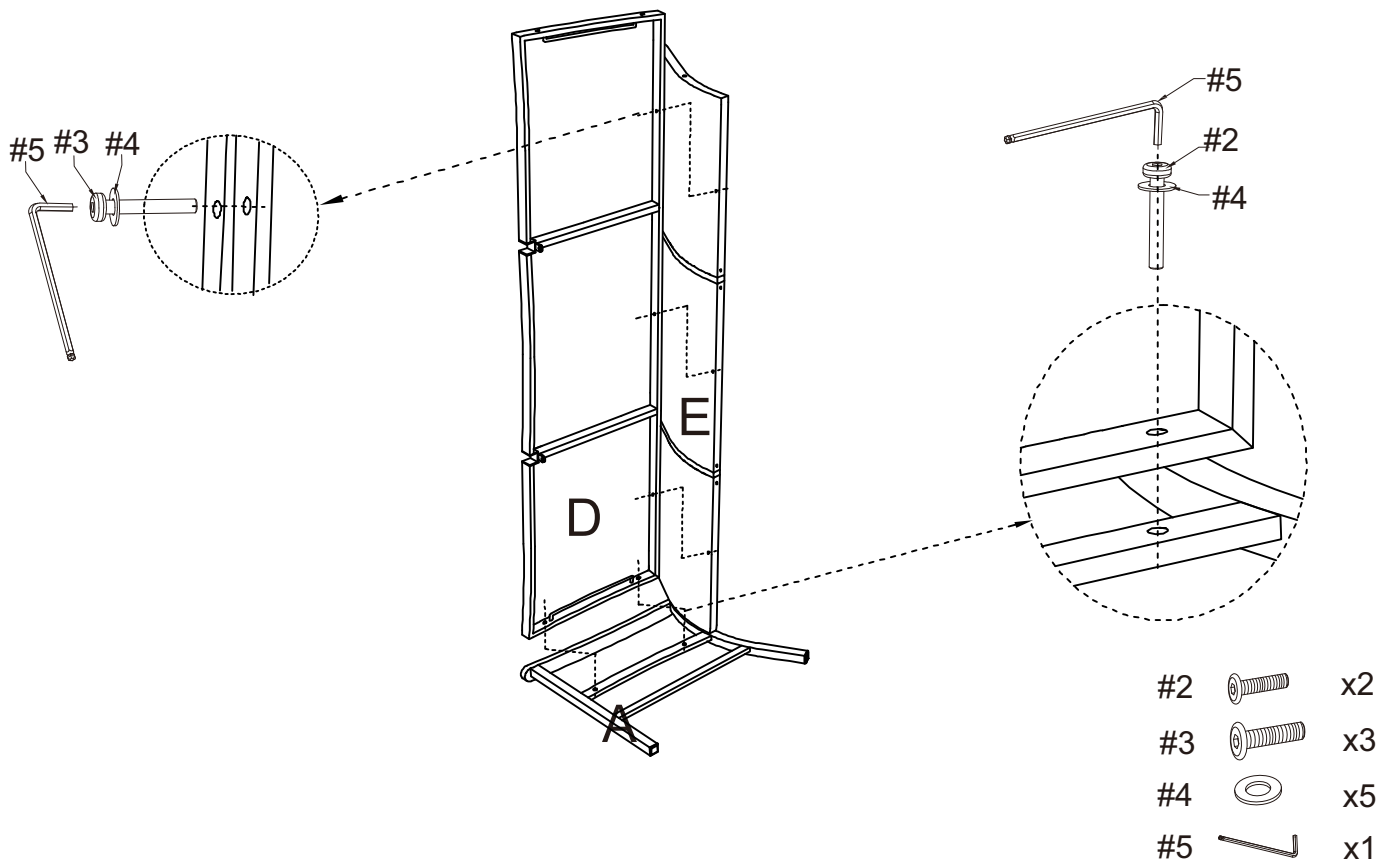
Step 1. Lay left arm panel (part A) down on a flat surface, such as carpet as shown below. Attach back panel (part E) to left arm panel (part A) using medium bolt (part #2), flat washer (part #4) and allen wrench (part #5).

NOTE: Please do not fully tighten bolt until unit is fully assembled.



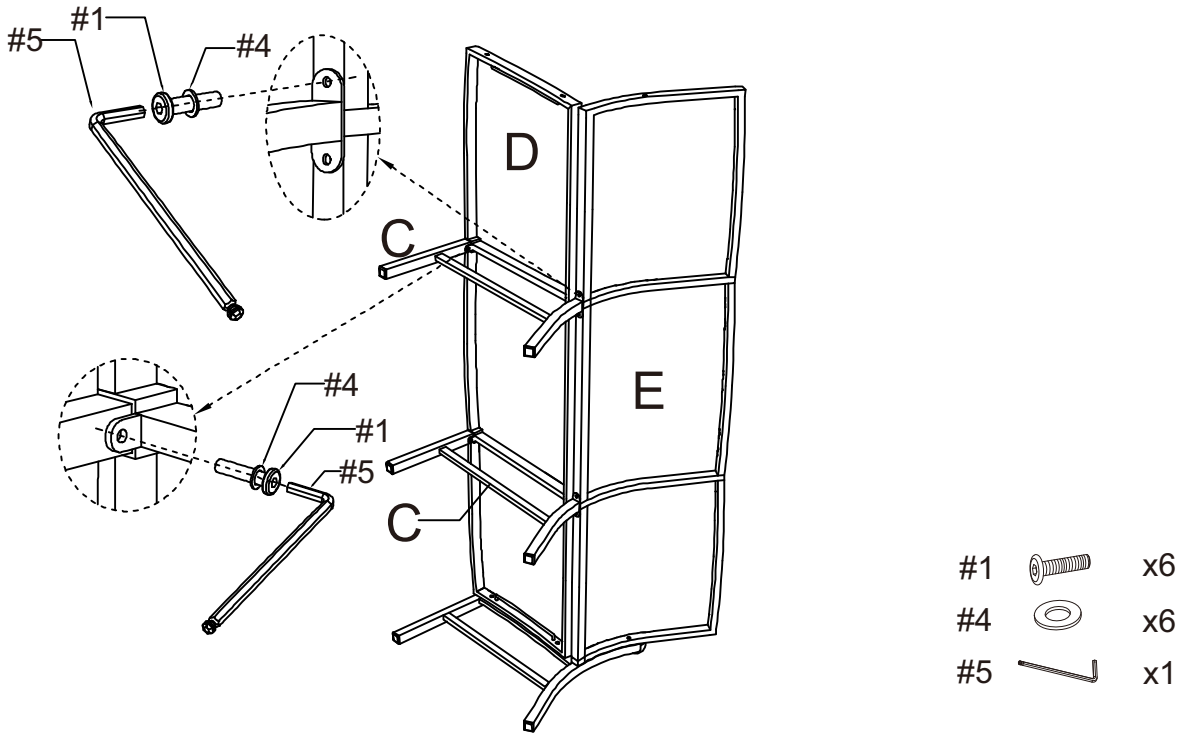
Step 2. Attach seat panel (part D) to left arm panel (part A) and back panel (part E) using medium bolts (part #2), long bolts (part #3), flat washers (part #4) and allen wrench (part #5).

NOTE: Please do not fully tighten bolts until unit is fully assembled.



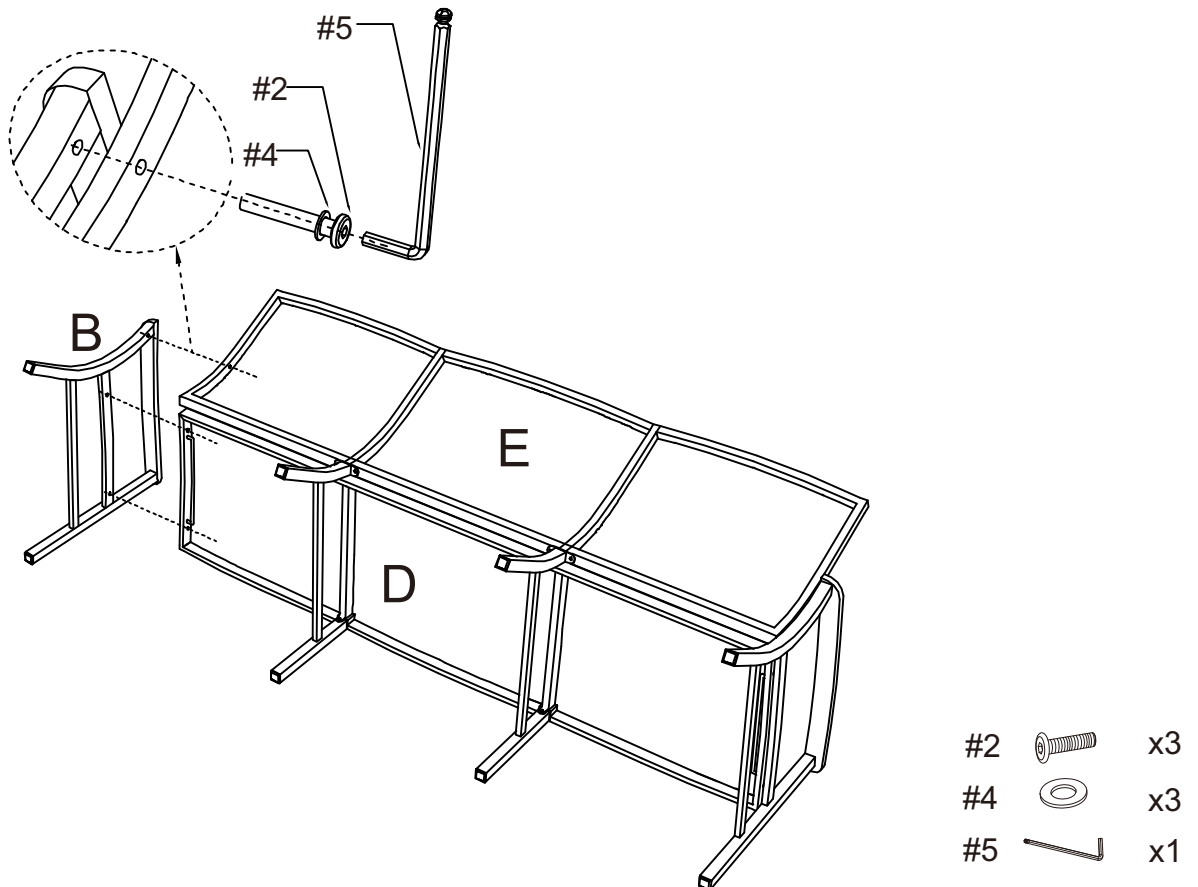
Step 3. Attach center legs (part C) to seat panel (part D) and back panel (part E) using short bolts (part #1), flat washers (part #4) and allen wrench (part #5).

NOTE: Please do not fully tighten bolts until unit is fully assembled.



Step 4. Attach right arm panel (part B) to seat panel (part D) and back panel (part E) using medium bolts (part #2), flat washers (part #4) and allen wrench (part #5).

NOTE: Please fully tighten all bolts at this time.



Step 5. Carefully turn the assembled sofa upright on a flat surface.

