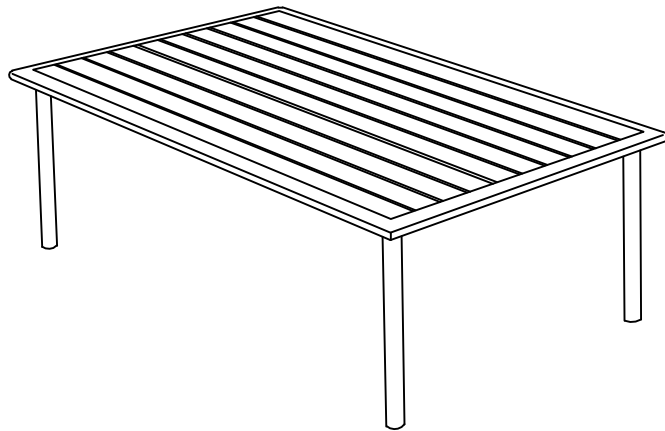








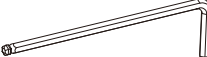
Outdoor Coffee Table
CO6234



PART LIST

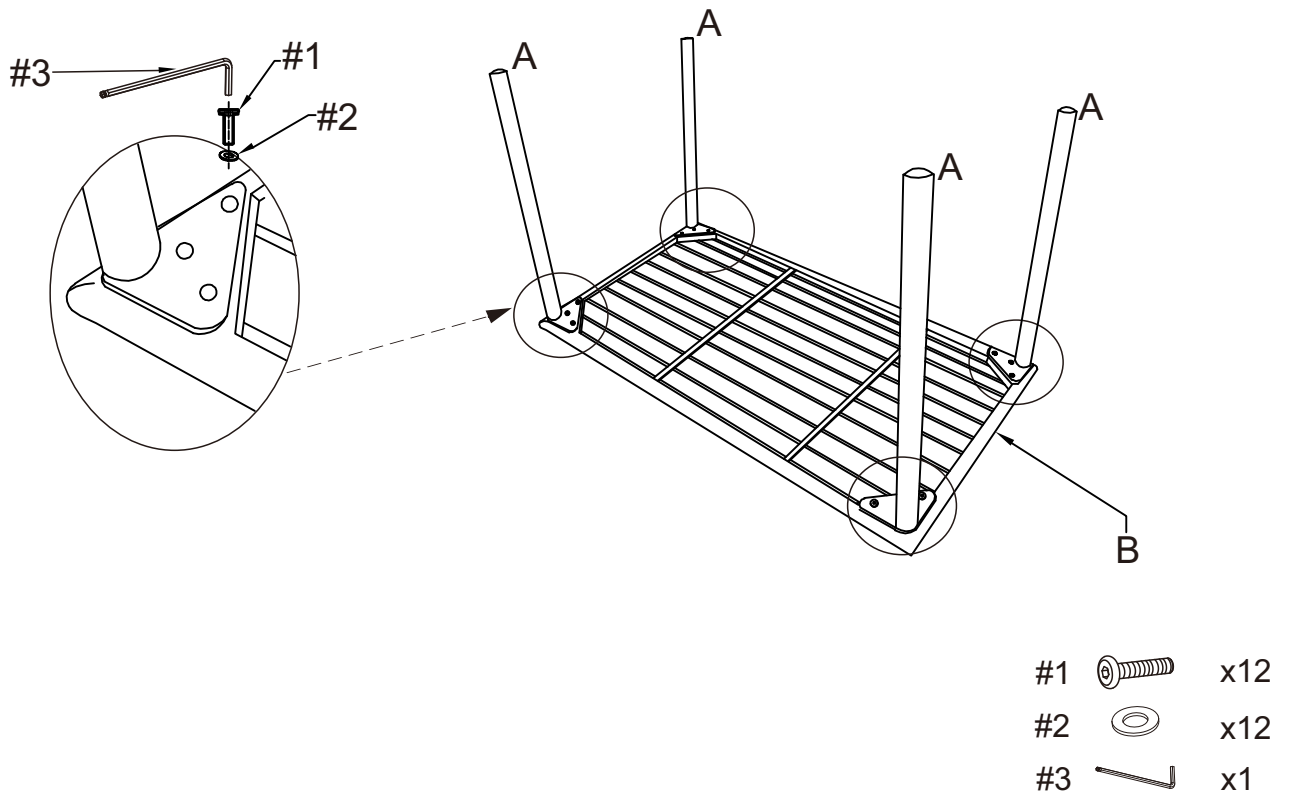
A 	B 
Leg 4 PCS	Top Panel 1 PC

HARDWARE LIST

#1  M6*25mm	#2  M6mm	#3 
Bolt 12 PCS (Extra 1)	Flat Washer 12 PCS (Extra 1)	Allen Wrench 1 PC

Step 1. Lay top panel (part B) upside down on a soft flat surface, such as carpet, as shown below. Attach legs (part A) to top panel (part B) using bolts (part #1), flat washers (part #2) and allen wrench (part #3).

NOTE: Please fully tighten all bolts at this time.



Step 2. Carefully turn unit upright.

