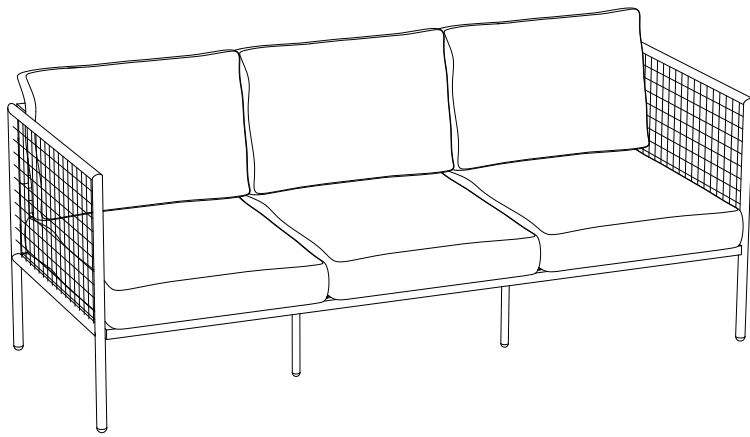
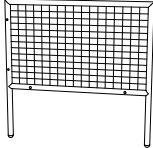
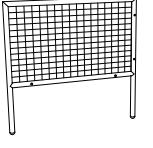
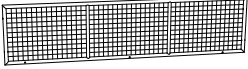
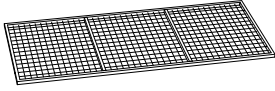

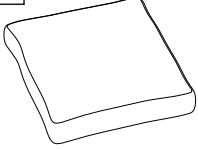









Outdoor Wicker Sofa
CO6230



PART LIST

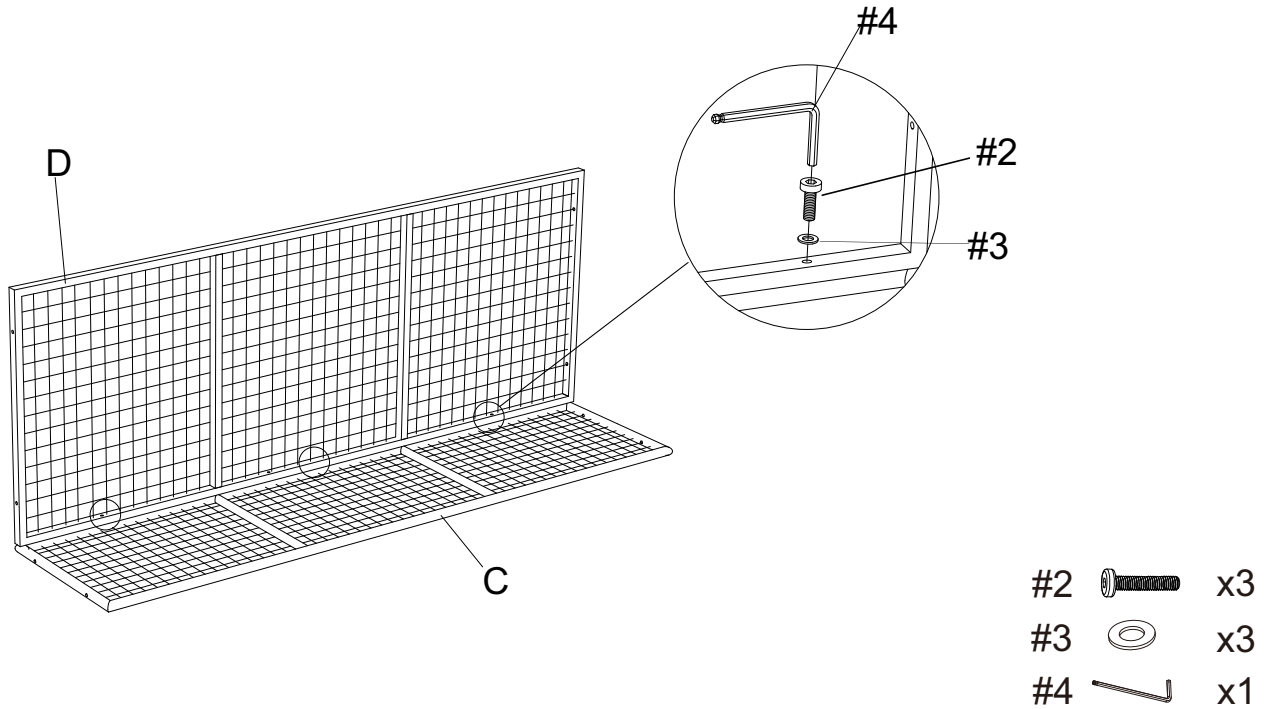
A 	B 	C 	D 	E 
Right Arm Panel 1 PC	Left Arm Panel 1 PC	Back Panel 1 PC	Seat Panel 1 PC	Leg 2 PCS
F 	G 			
Seat Cushion 3 PCS	Back Cushion 3 PCS			

HARDWARE LIST

#1  M6*15mm	#2  M6*45mm	#3  M6mm	#4  M6mm
Short Bolt 4 PCS (Extra 1)	Long Bolt 11 PCS (Extra 1)	Flat Washer 15 PCS (Extra 1)	Allen Wrench 1 PC

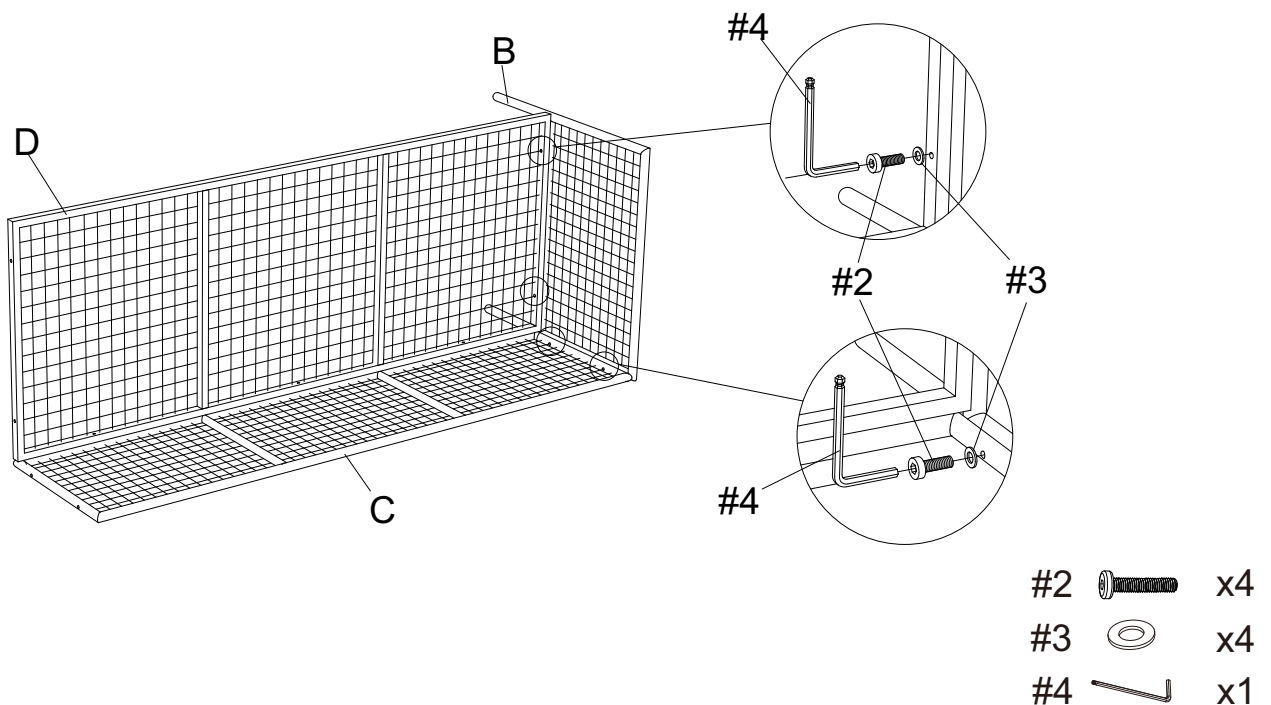
Step 1. Lay back panel (part C) down on a soft flat surface, such as carpet, as shown below. Attach seat panel (part D) to back panel (part C) using long bolts (part #2), flat washers (part #3) and allen wrench (part #4).

NOTE: Please do not fully tighten bolts until unit is fully assembled.



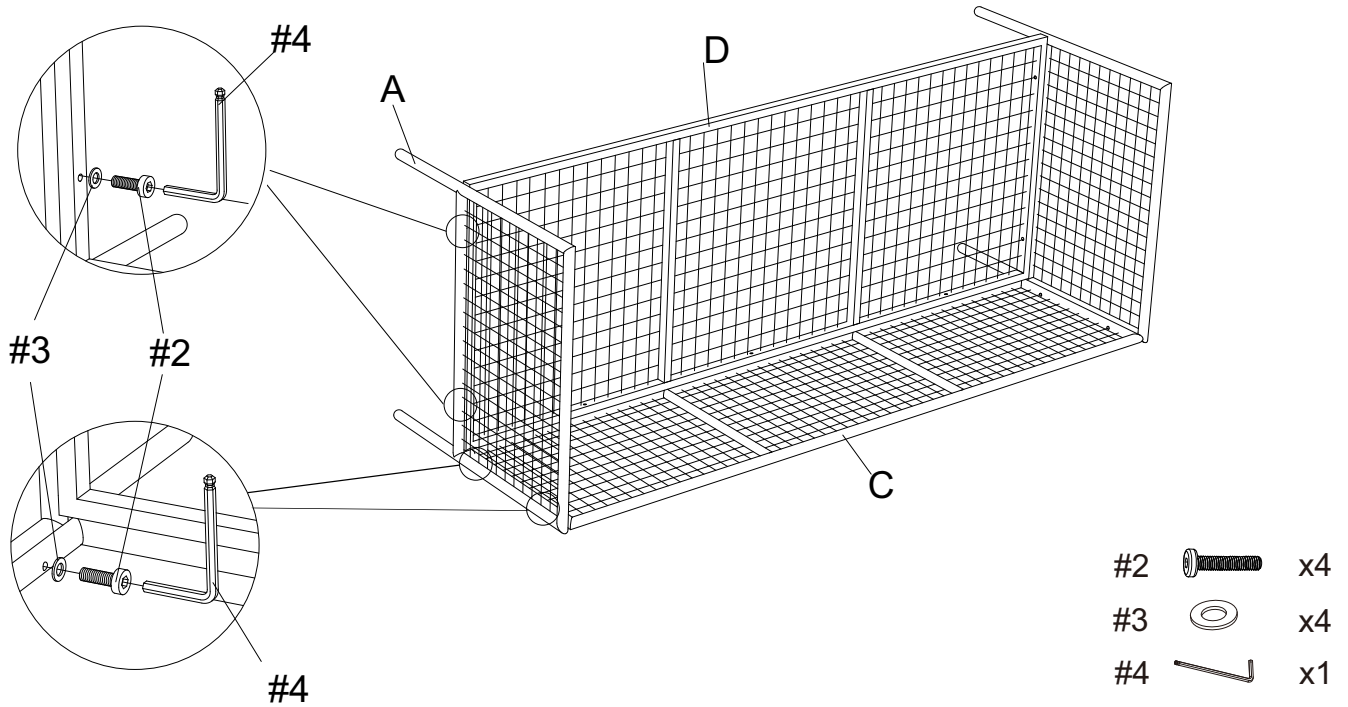
Step 2. Attach left arm panel (part B) to back panel (part C) and seat panel (part D) using long bolts (part #1), flat washers (part #3) and allen wrench (part #4).

NOTE: Please do not fully tighten bolts until unit is fully assembled.



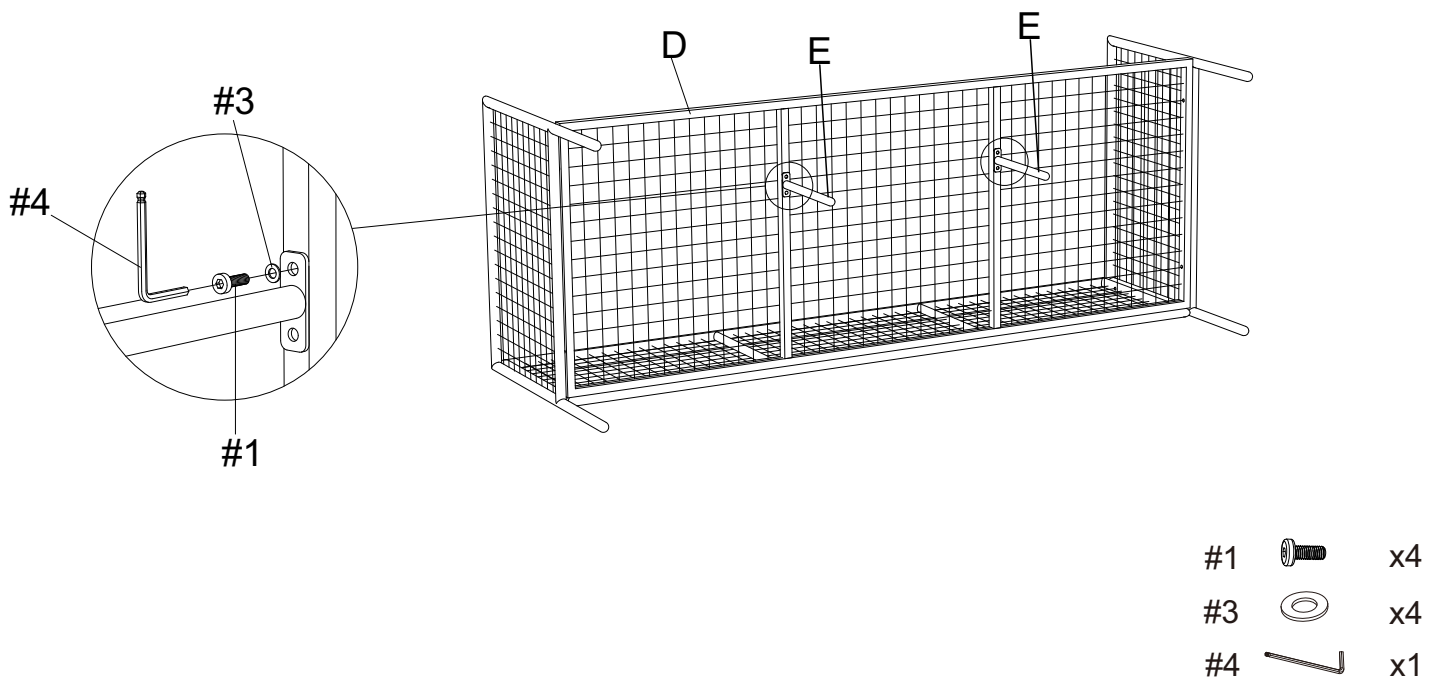
Step 3. Attach right arm panel (part A) to seat panel (part D) and back panel (part C) using long bolts (part #2), flat washers (part #3) and allen wrench (part #4).

NOTE: Please do not fully tighten bolts until unit is fully assembled.



Step 4. Attach Legs (part E) to seat panel (part D) using short bolts (part #1), flat washers (part #3) and allen wrench (part #4).

NOTE: Please fully tighten all bolts at this time.



Step 5. Carefully turn unit upright. Place seat cushions (part F) and back cushions (part G) as shown below.

