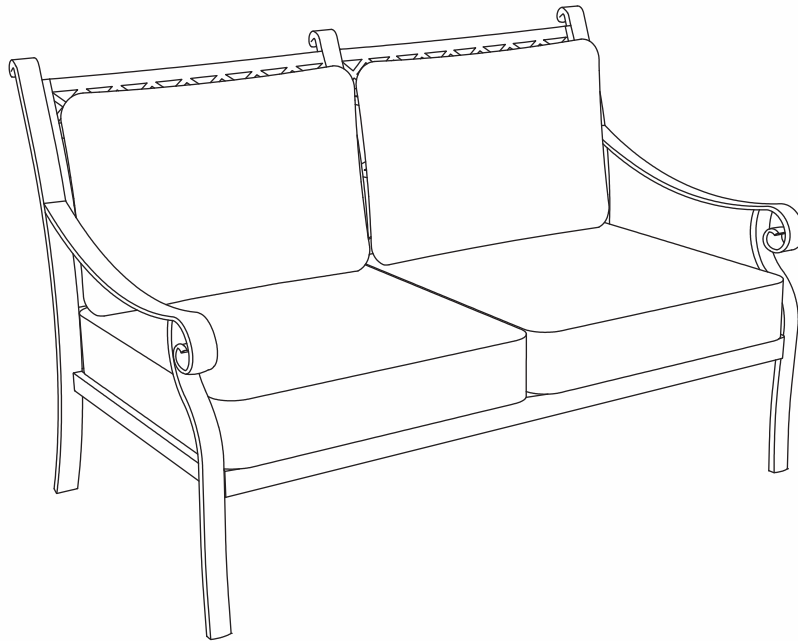
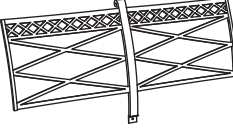



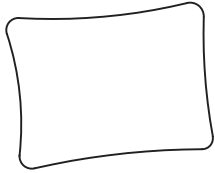
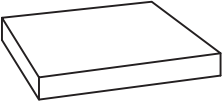








Cast Aluminum Love Seat
CO6107






PARTS LIST

A 	B 	C 	D 	E 
Back Panel 1 PC	Seat Panel 1 PC	Left Arm 1 PC	Right Arm 1 PC	Back Cushion 2 PCS
F 				
Seat Cushion 2 PCS				

HARDWARE LIST

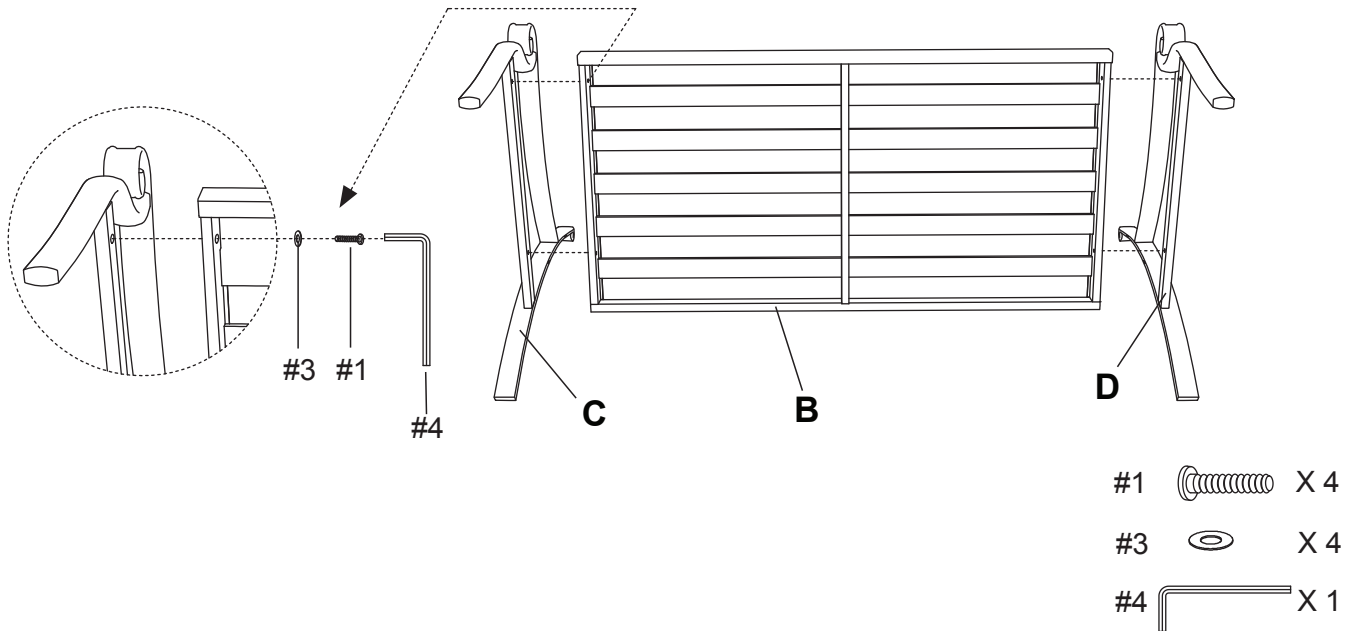
#1 	#2 	#3 	#4 
M6X30mm Long Bolt 8 PCS	M6X15mm Short Bolt 1 PC	M6mm Flat Washer 9 PCS	M6mm Allen Key 1 PC

EXTRA HARDWARE LIST

#1 	#2 	#3 
M6X30mm Long Bolt 2 PCS	M6X15mm Short Bolt 1 PC	M6mm Flat Washer 2 PCS

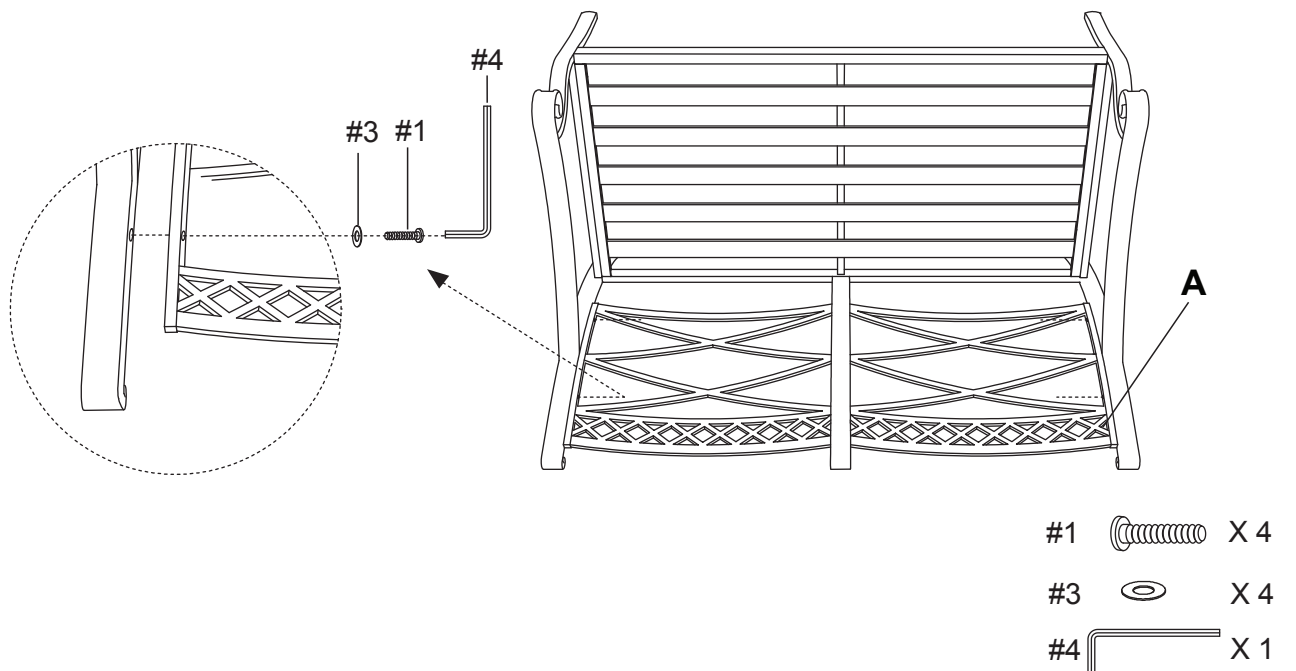
Step 1. Attach arms (part #C&D) to seat panel (part #B) using long bolts (part #1), washers (part #3) and allen key (part #4).

NOTE: Please do not fully tighten bolts until unit is fully assembled.



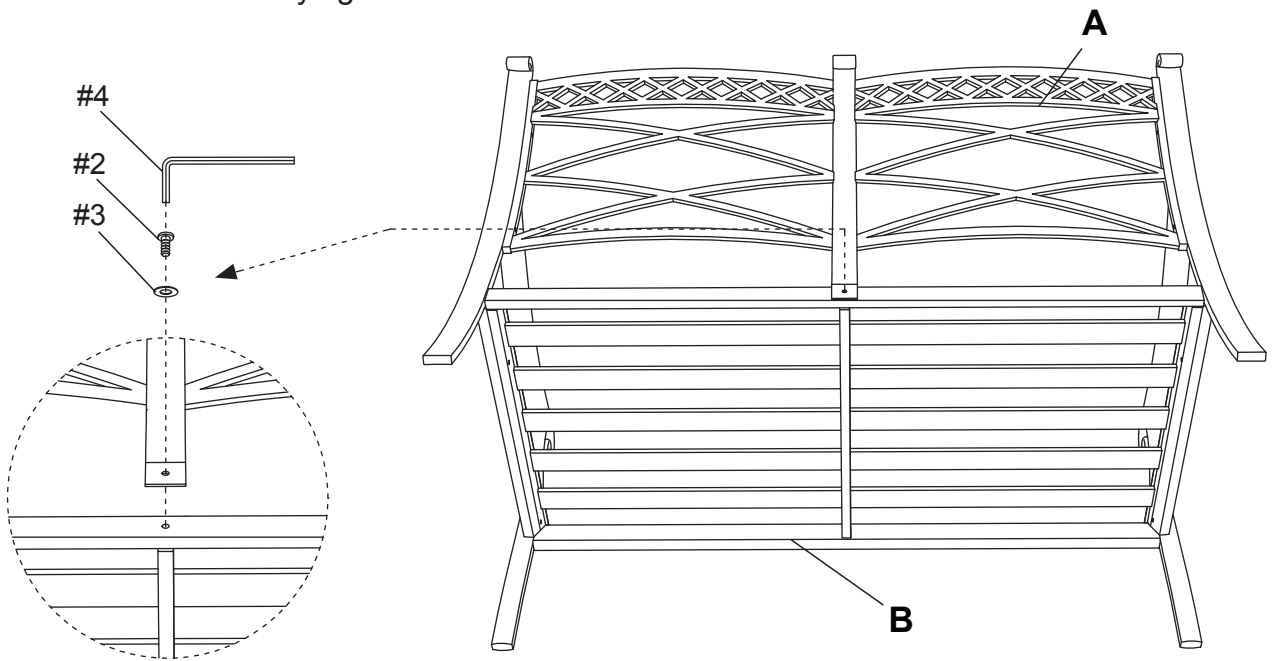
Step 2. Attach back panel (part #A) to arms (part #C & D) using long bolts (part #1), washers (part #3) and allen key (part #4).




NOTE: Please do not fully tighten bolts until unit is fully assembled.



Step 3. Carefully turn the loveseat upright, and secure back panel (part #A) to seat panel (part #B) using short bolt (part #2), washer (part #3) and allen key (part #4).

NOTE: Please fully tighten all bolts at this time.



- #2  X 1
- #3  X 1
- #4  X 1

Step 4. Place back cushions (part #E) and seat cushions (part #F) on the loveseat.

