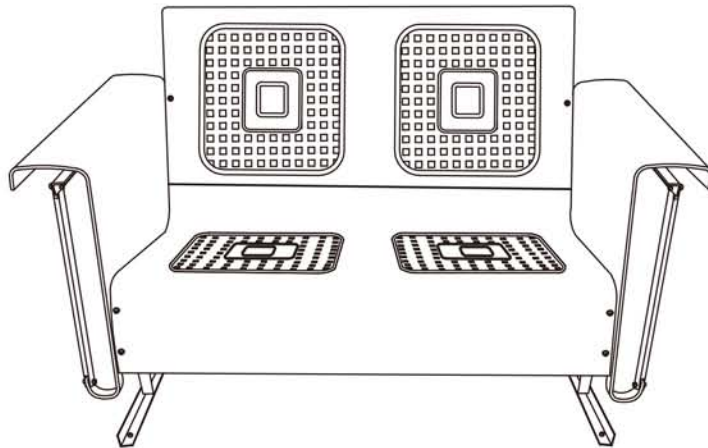


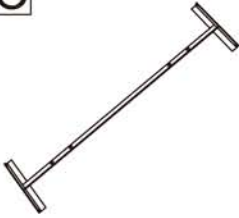





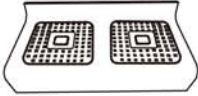














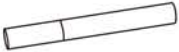
Loveseat Glider
CO1024



PART LIST

A 	B 	C 	D 	E 
Left Glider Leg 1 PC	Right Glider Leg 1 PC	Glider Leg Support 1 PC	Support 2 PCS	Connecting Wire 2 PCS
F 	G 	H 	I 	
Left Arm 1 PC	Right Arm 1 PC	Back Panel 1 PC	Seat Panel 1 PC	

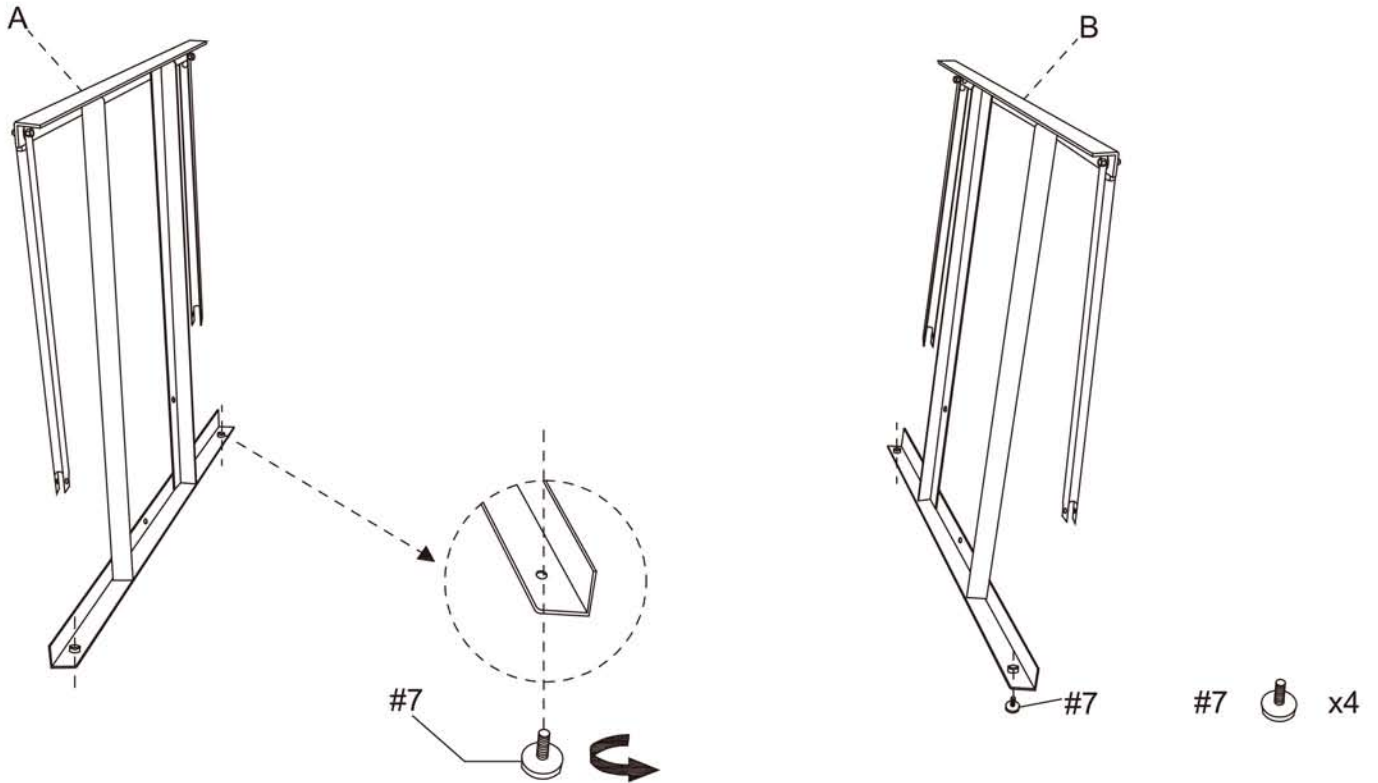
HARDWARE LIST

#1 	#2 	#3 	#4 	#5 
M6x25mm Long Bolt 13 PCS (Extra 3)	M6x20mm Medium Bolt 3 PCS (Extra 1)	M6x16mm Short Bolt 16 PCS (Extra 3)	Self-locking Nut 40PCS(Extra 3)	Metal Washer 71 PCS(Extra 3)
#6 	#7 	#8 	#9 	#10 
Plastic Washer 10 PCS (Extra 2)	Adjustable Leveler 5 PCS (Extra 1)	Connecting screws 8 PCS (Extra 2)	Wrench 2 PCS	Allen Key 1 PC
#11 				
Touch Up Paint 1 PC				

IMPORTANT NOTE Section:

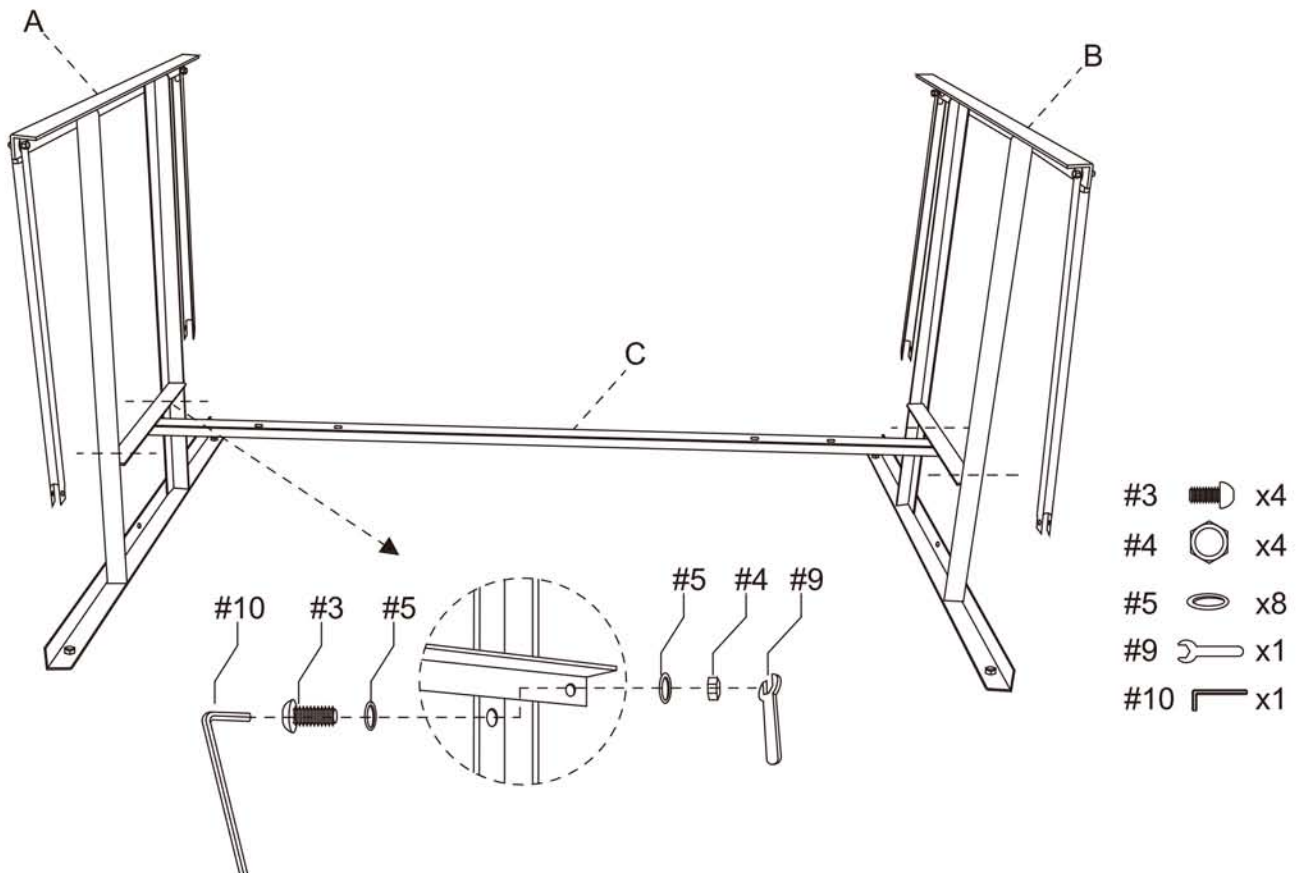
1. The Touch Up Paint (part #11) is only for small scratches and dents.
2. We recommend using at least two people to assemble this glider.

Step 1. Screw the adjustable levels (part #7) into the pre-drilled holes on the bottom of the glider legs (part A & B).



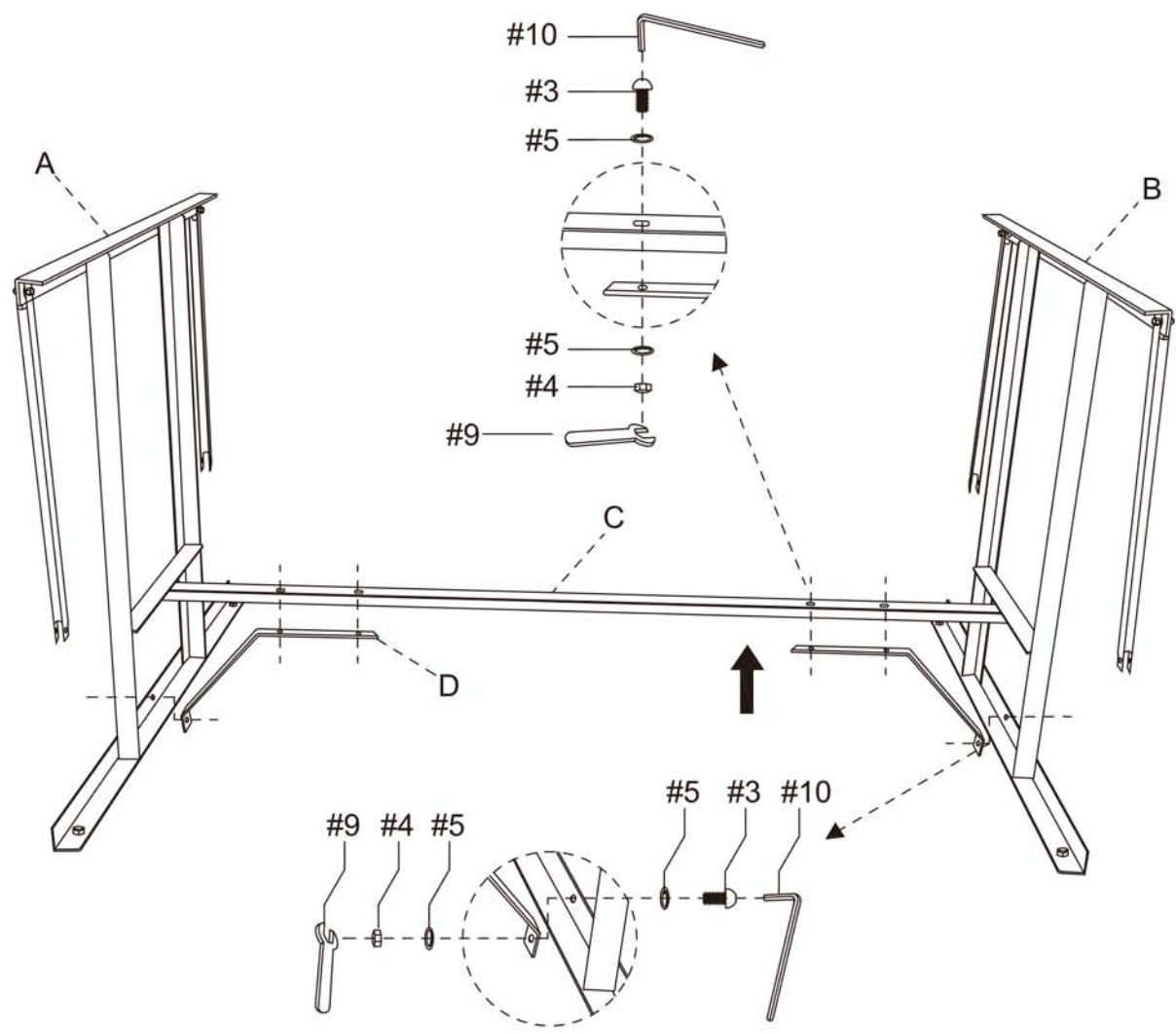
Step 2. Attach glider leg support (part C) to the left glider leg (part A) and the right glider leg (part B) using short bolts (part #3), metal washers (part #5), self-locking nuts (part #4), wrench (part #9) and allen key (part #10).






NOTE: Please do not fully tighten bolts until unit is fully assembled.



Step 3. Attach support (part D) to the glider leg support (part C) using short bolts (part #3), metal washers (part #5), self-locking nuts (part #4), wrench (part #9) and allen key (part #10).

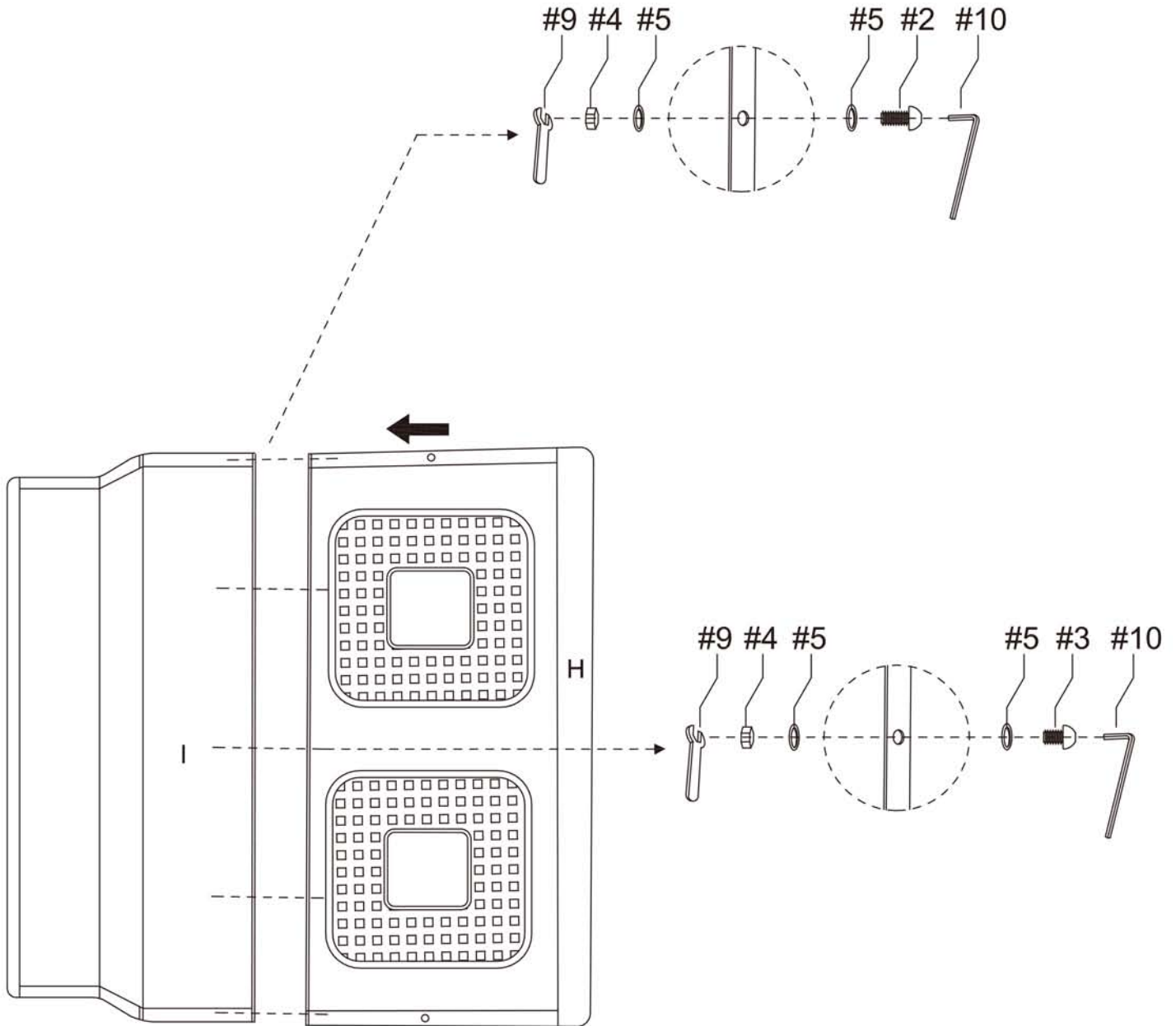
NOTE: Please do not fully tighten bolts until unit is fully assembled.









- #3  x6
- #4  x6
- #5  x12
- #9  x1
- #10  x1

Step 4. Attach back panel (part H) to seat panel (part I) using medium bolts (part #2), short bolts (part #3), metal washers (part #5), self-locking nuts (part #4), wrench (part #9), and allen key (part #10).

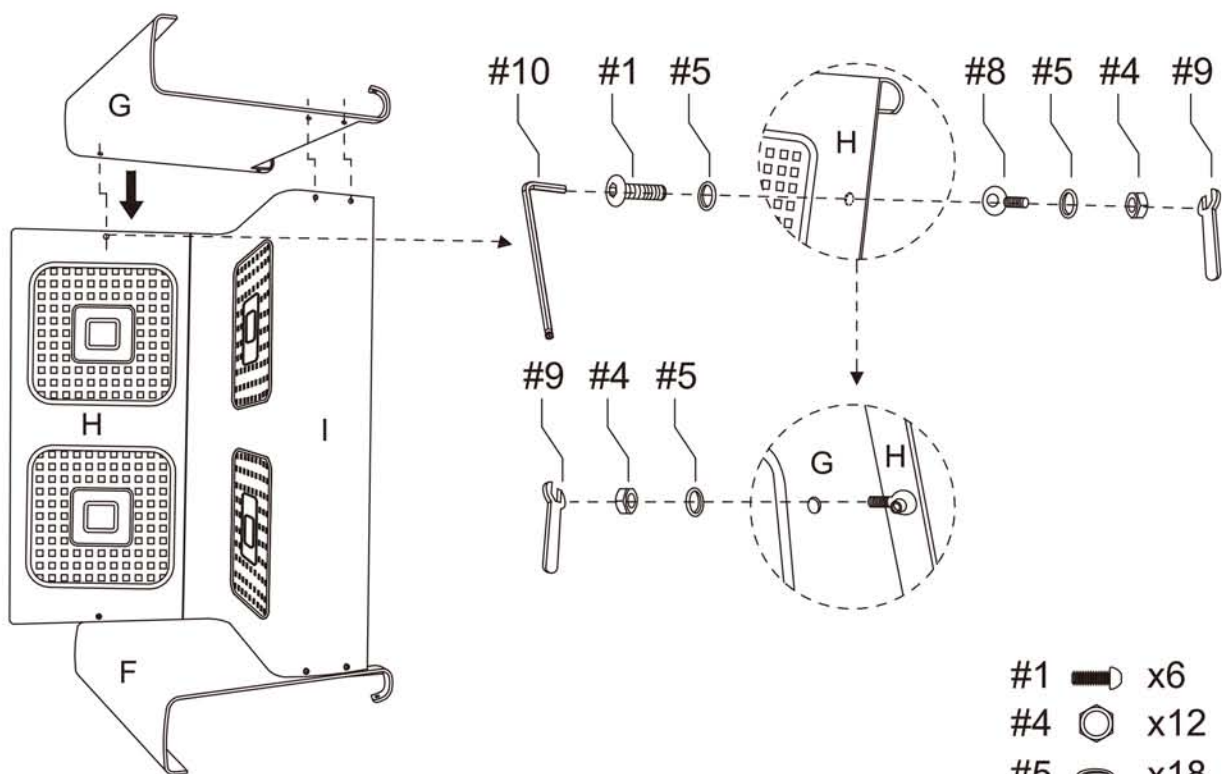
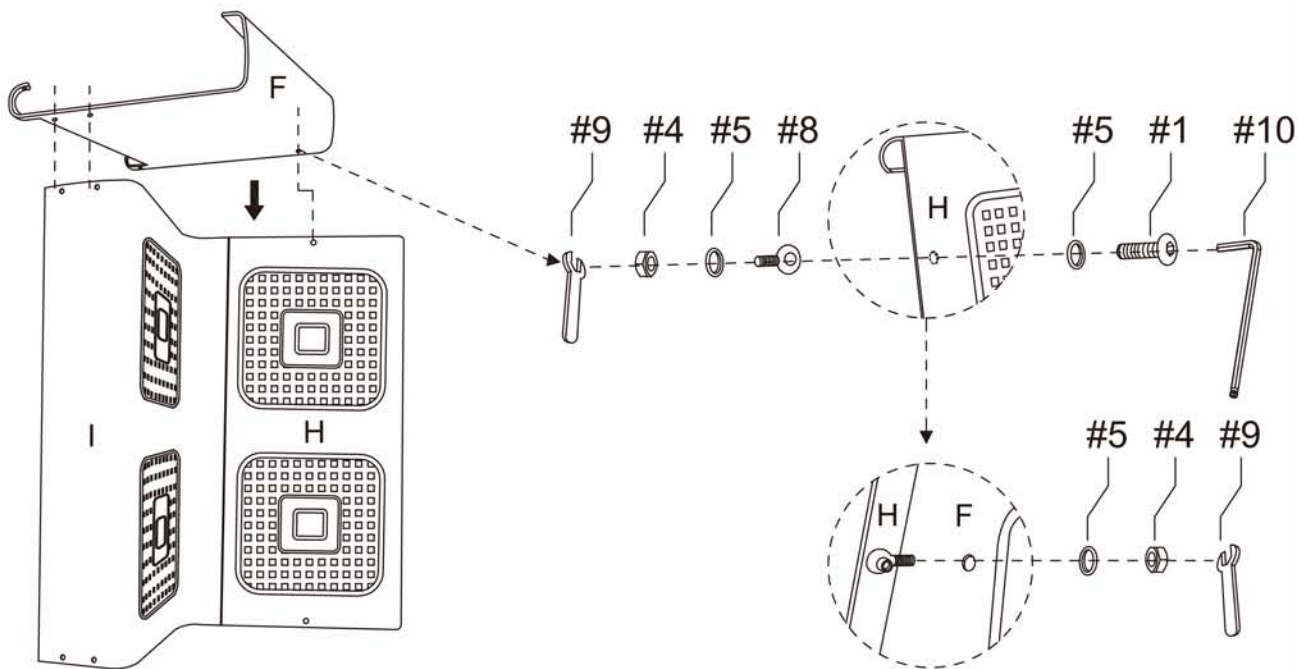
NOTE: Please do not fully tighten bolts until unit is fully assembled.









- #2  x2
- #3  x3
- #4  x5
- #5  x10
- #9  x1
- #10  x1

Step 5. Install the connecting screws (part #8) on the back of assembled parts (part H&I) using long bolts (part #1), connecting screws (part #8), metal washers (part #5), self-locking nuts (part #4), wrench (part #9) and allen key (part #10) as shown in the first image insert. Make sure the connecting bolts are on the back of assembled parts (part H&I) and sticking out as shown in the second image insert. Next, connect left arm (part F) and right arm (part G) to assembled parts (part H&I) using the connecting bolts (already installed), metal washers (part #5), self-locking nuts (part #4) and wrench (part #9).

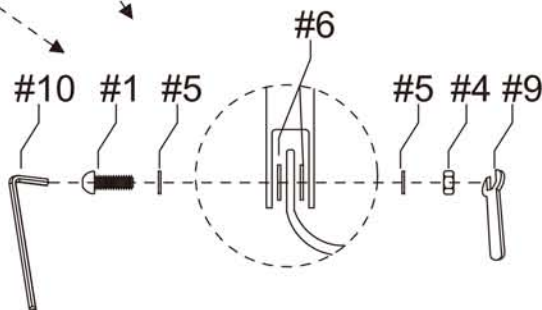
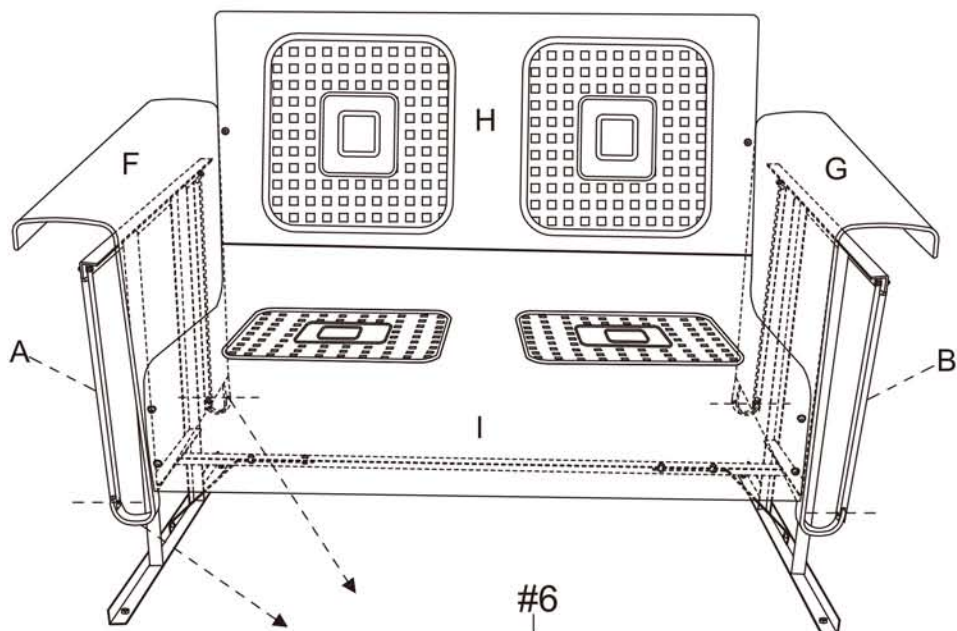
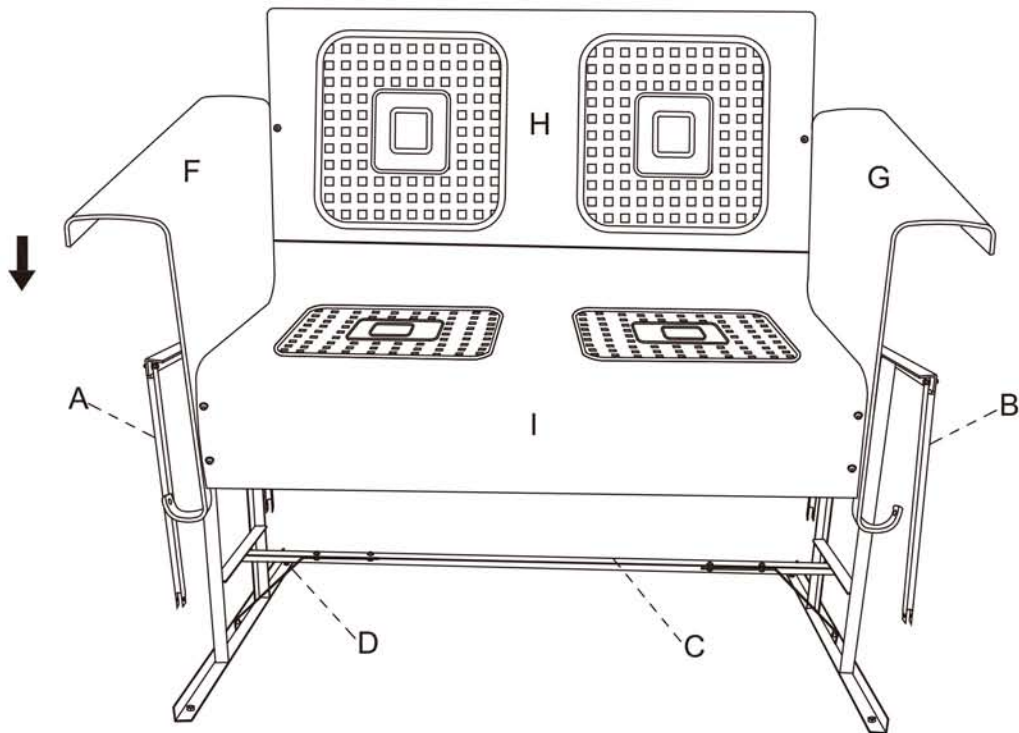
NOTE: Please do not fully tighten bolts until unit is fully assembled.









- #1  x6
- #4  x12
- #5  x18
- #8  x6
- #9  x1
- #10  x1

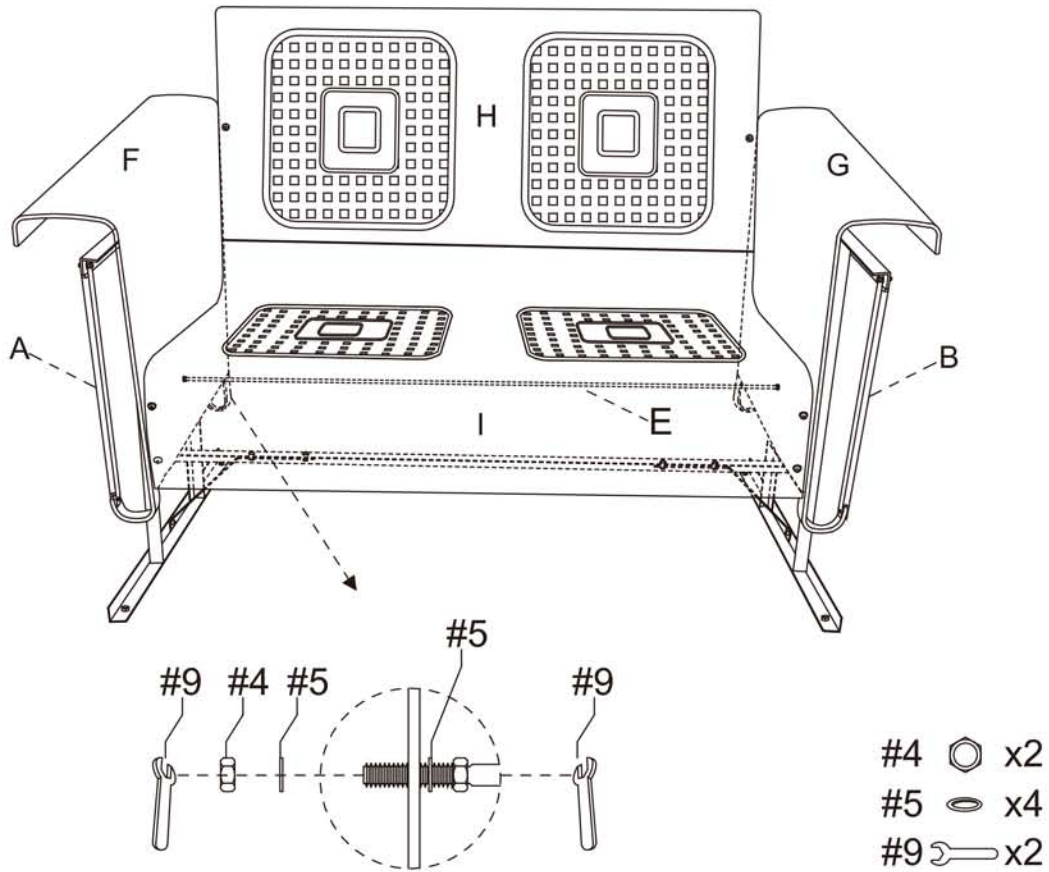
Step 6. Using at least two people, carefully lift assembled parts (part F,G,H&I) inside assembled parts (part A,B,C&D) and attach hooks on left arm (part F) and right arm (part G) to the swing arms on left glider leg (part A) and right glider leg (part B) using long bolts (part #1), metal washers (part #5), plastic washers (part #6), self-locking nuts (part #4), wrench (part #9) and allen key (part #10).

NOTE: Please fully tighten all bolts at this time.

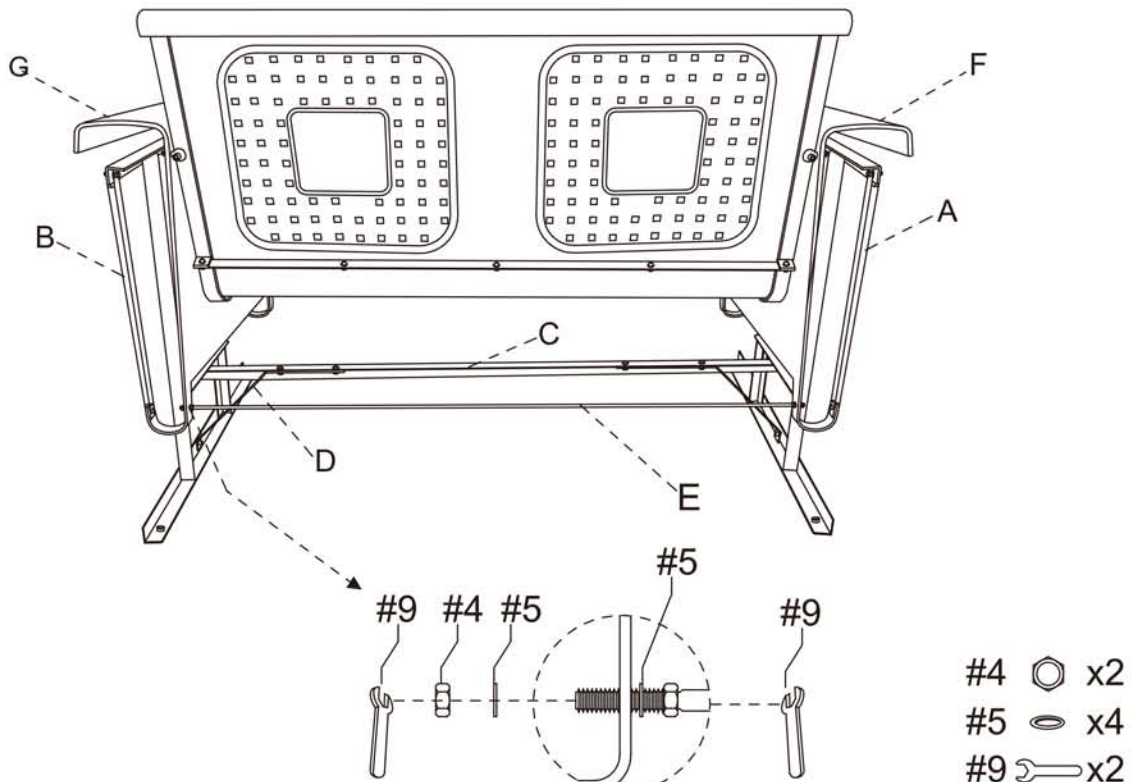


- #1  x4
- #4  x4
- #5  x8
- #6  x8
- #9  x1
- #10  x1

Step 7. Attach connecting wire (part E) to left arm (part F) and right arm (part G) using metal washers (part #5), self-locking nuts (part #4) and wrench (part #9).



Step 8. Attach connecting wire (part E) to left arm (part F) and right arm (part G) using metal washers (part #5), self-locking nuts (part #4) and wrench (part #9).



Step 9. IMPORTANT NOTE: Please always use at least two people when moving this completed loveseat glider, and be careful of the moving parts.

