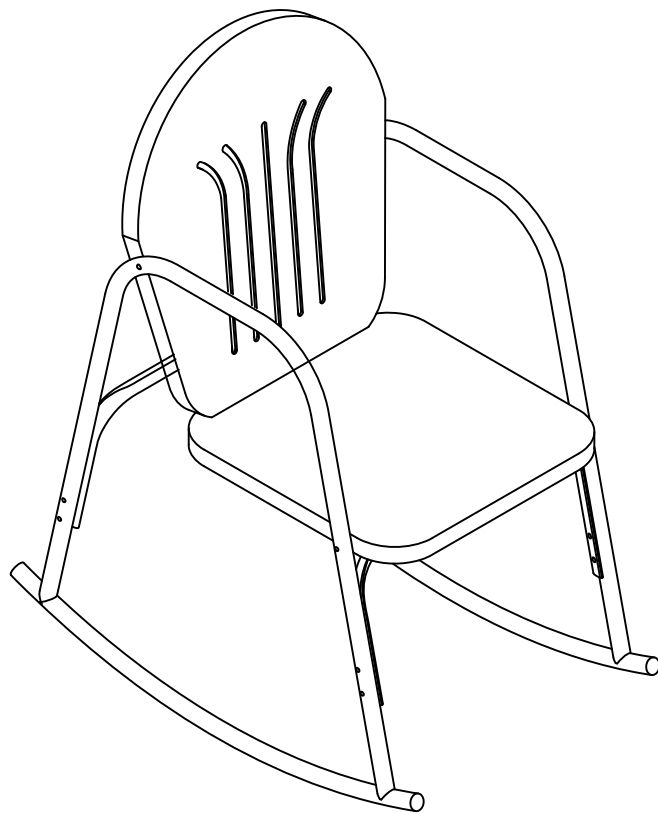


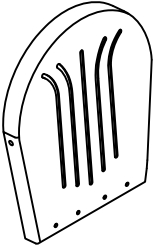
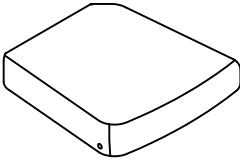
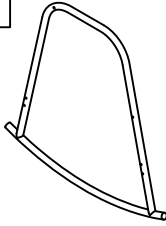
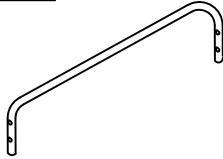


Rocking Chair


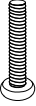
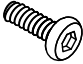


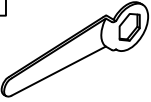



CO1013



PART LIST

			
<p>Chair Back 2 PCS</p>	<p>Chair Seat 2 PCS</p>	<p>Arm 4 PCS</p>	<p>Crossbar 4 PCS</p>

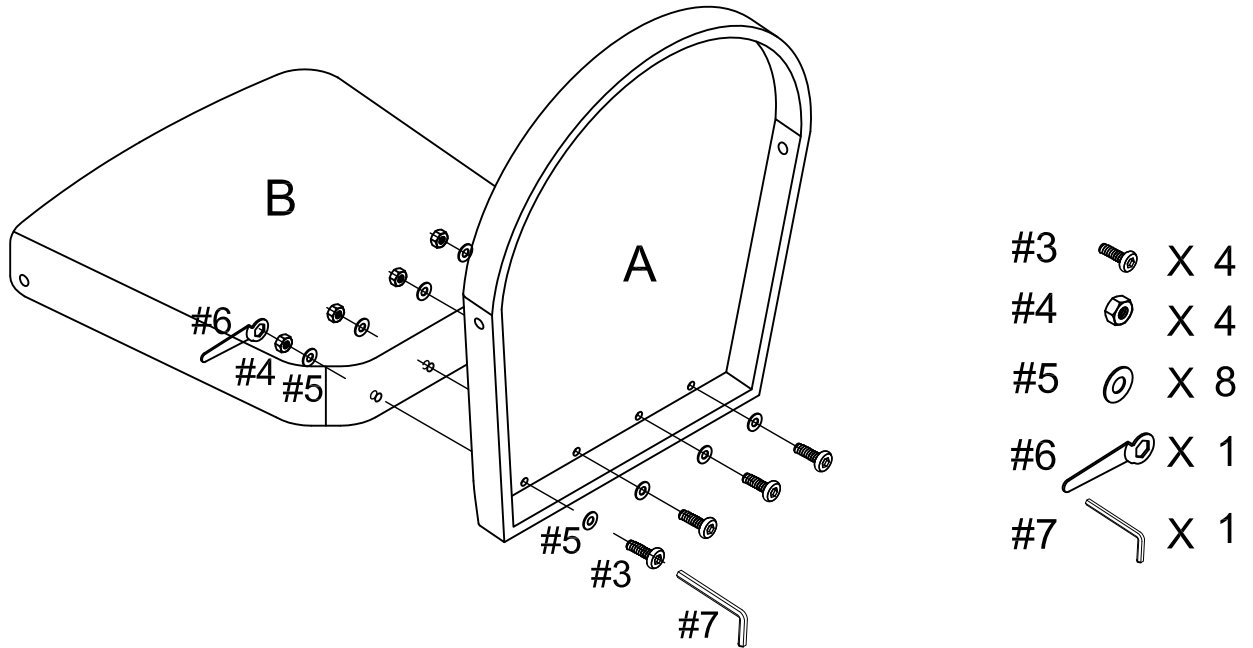
HARDWARE LIST

 <p>M6X42mm</p>	 <p>M6X40mm</p>	 <p>M6X13mm</p>		
<p>Long Bolt 8 PCS (Extra 1)</p>	<p>Medium Bolt 16 PCS (Extra 1)</p>	<p>Short Bolt 8 PCS (Extra 1)</p>	<p>Hex Nut 32 PCS (Extra 2)</p>	<p>Flat Washer 40 PCS (Extra 4)</p>
				
<p>Wrench 1 PC</p>	<p>Allen Wrench 1 PC</p>	<p>Plastic Washer 8 PCS (Extra 1)</p>	<p>Round Plastic Washer 24 PCS (Extra 2)</p>	

NOTE: We recommend at least two people work together to assemble unit.

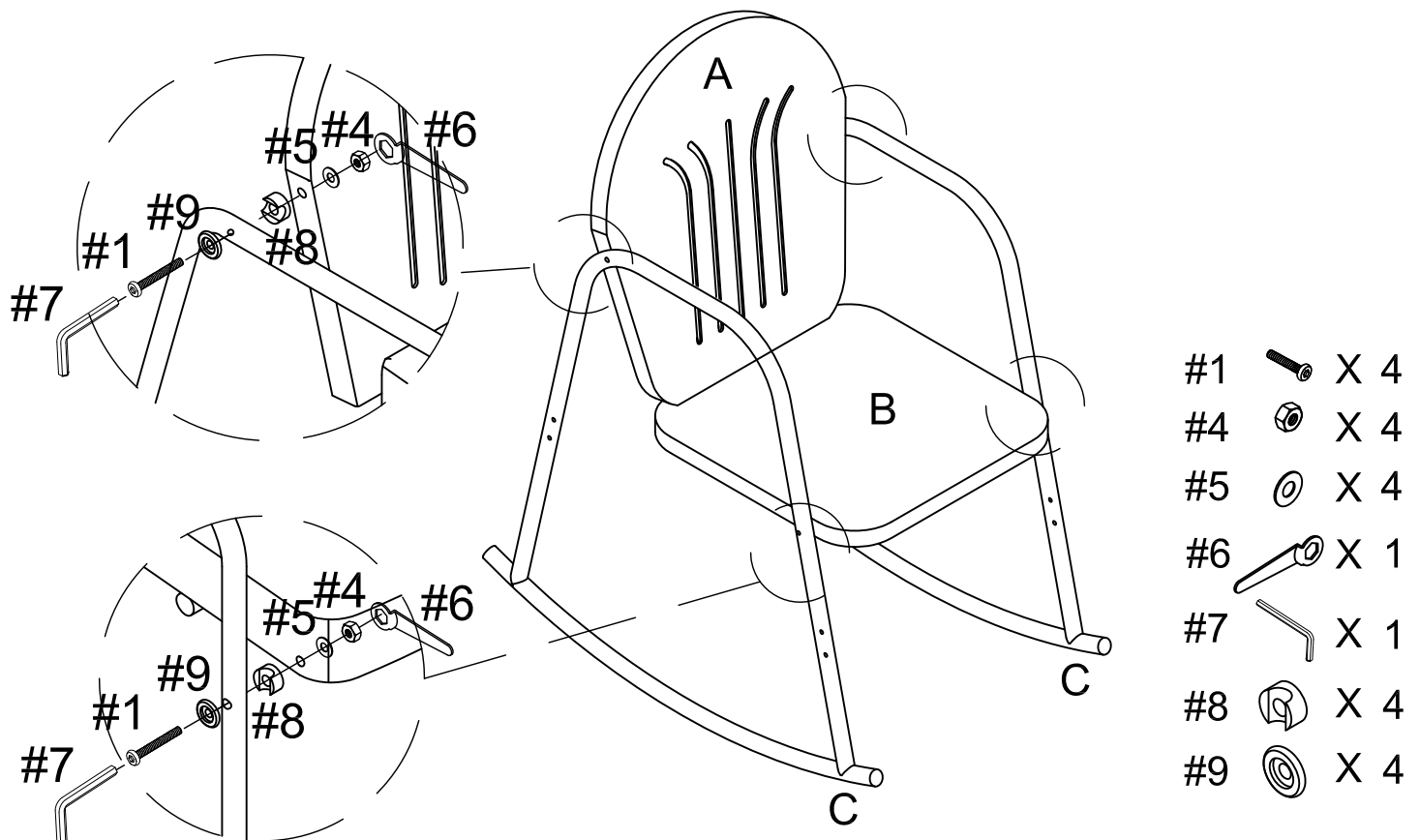
Step 1. Lay chair seat (part B) down on a soft flat surface, such as carpet, as shown below. Attach chair back (part A) to chair seat (part B) using short bolts (part #3), hex nuts (part #4), flat washers (part #5), wrench (part #6) and allen wrench (part #7).

NOTE: Please do not fully tighten bolts until unit is fully assembled.



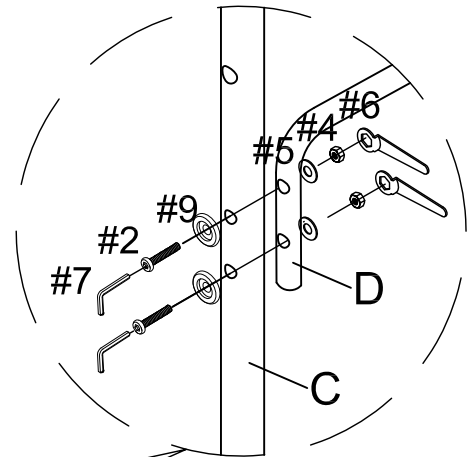
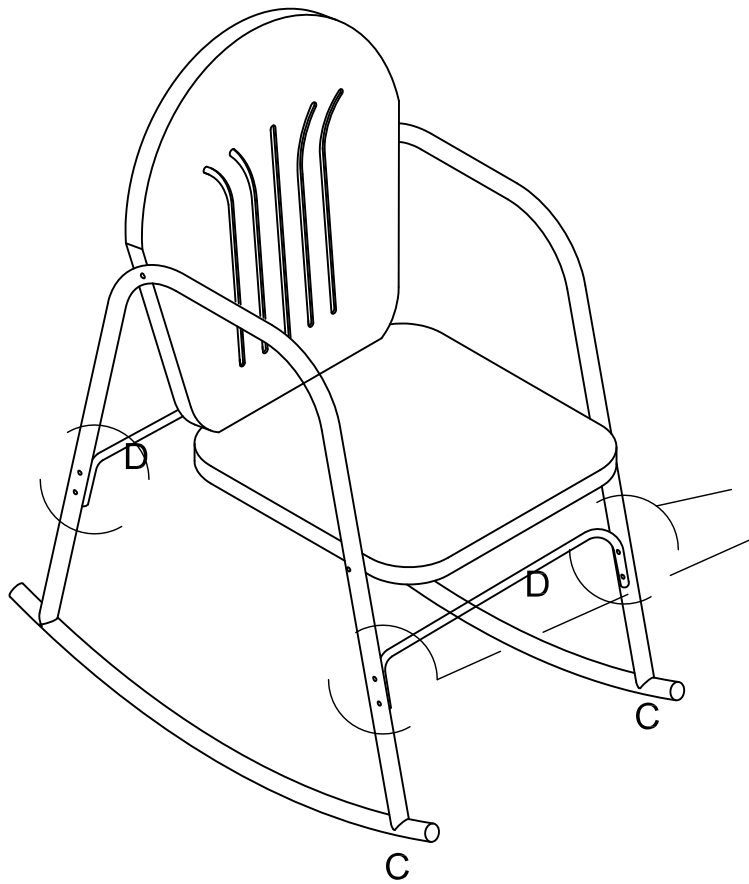
Step 2. Attach arms (parts C) to assembled unit (parts A & B) using long bolts (part #1), round plastic washers (part #9), hex nuts (part #4), flat washers (part #5), plastic washers (part #8), wrench (part #6) and allen wrench (part #7).







NOTE: Please do not fully tighten bolts until unit is fully assembled.



Step 3. Attach crossbars (part D) to arms (part C) using medium bolts (part #2), round plastic washers (part #9), hex nuts (part #4), flat washers (part #5), wrench (part #6) and allen wrench (part #7).

NOTE: Please fully tighten all bolts at this time.



#2		X 8
#4		X 8
#5		X 8
#6		X 1
#7		X 1
#9		X 8

Step 4. Repeat steps 1-3 to assemble remaining chair.