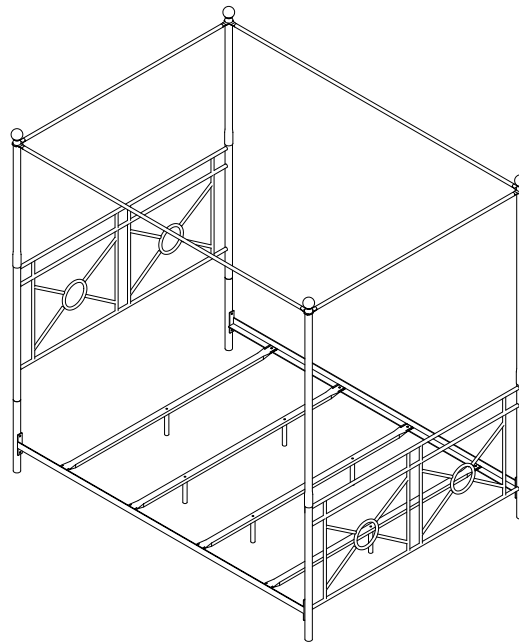
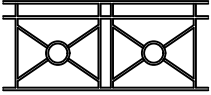
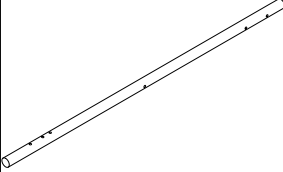
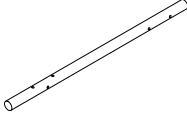

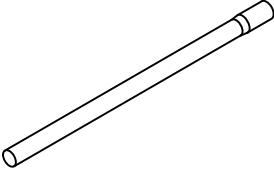
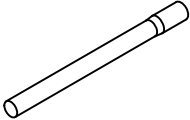
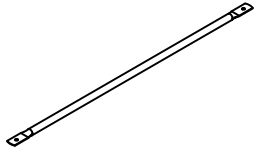
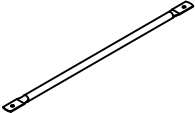
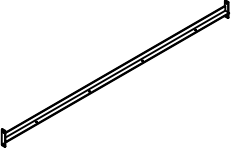
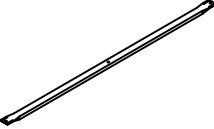
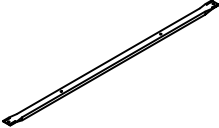







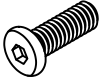
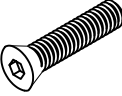
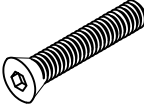



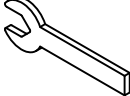
King Canopy Bed
CF91007-604



PART LIST

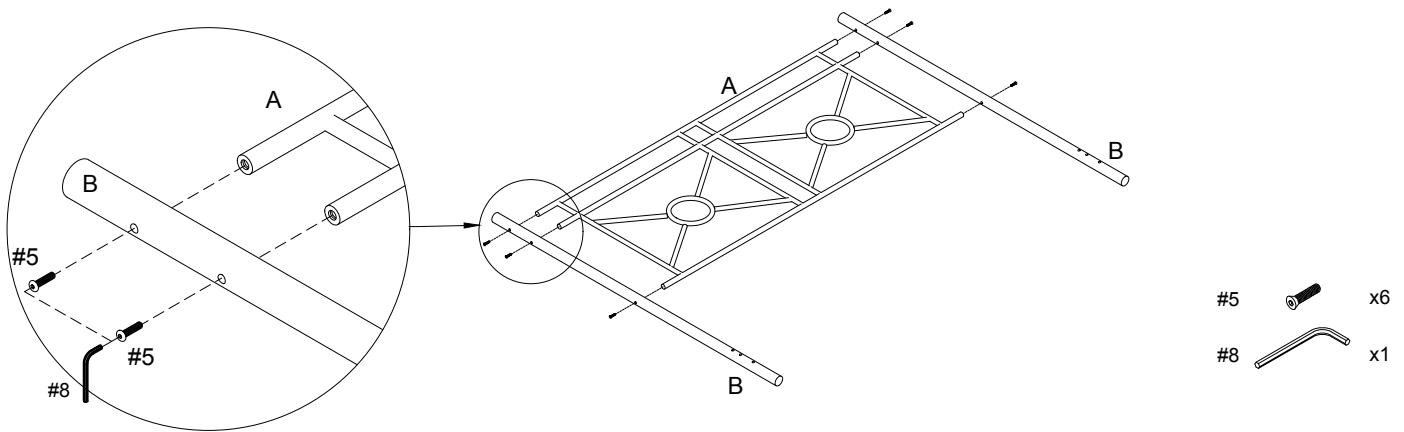
				
<p>Panel 2 PCS</p>	<p>Headboard Leg 2 PCS</p>	<p>Footboard Leg 2 PCS</p>	<p>Finial 4 PCS</p>	<p>Footboard Post 2 PCS</p>
				
<p>Headboard Post 2 PCS</p>	<p>Long Canopy Pole 2 PCS</p>	<p>Short Canopy Pole 2 PCS</p>	<p>Side Rail 2 PCS</p>	<p>End Slat 2 PCS</p>
				
<p>Center Slat 2 PCS</p>	<p>Support Leg 6 PCS</p>			

HARDWARE LIST

				
<p>1/4" x 5/8"L</p> <p>Bolt 8 PCS (Extra 1)</p>	<p>1/4" x 3/4"L</p> <p>Medium Bolt 4 PCS (Extra 1)</p>	<p>1/4" x 1-1/2"L</p> <p>Long Bolt 6 PCS (Extra 1)</p>	<p>1/4" x 1-7/8"L</p> <p>Short Sunk Bolt 4 PCS (Extra 1)</p>	<p>1/4" x 2-1/4"L</p> <p>Long Sunk Bolt 12 PCS (Extra 1)</p>
				
<p>1/4"</p> <p>Hex Nut 12 PCS (Extra 1)</p>	<p>Ø16xØ6.5x1MM</p> <p>Flat Washer 18 PCS (Extra 1)</p>	<p>Allen Wrench 1 PC</p>	<p>Wrench 1 PC</p>	

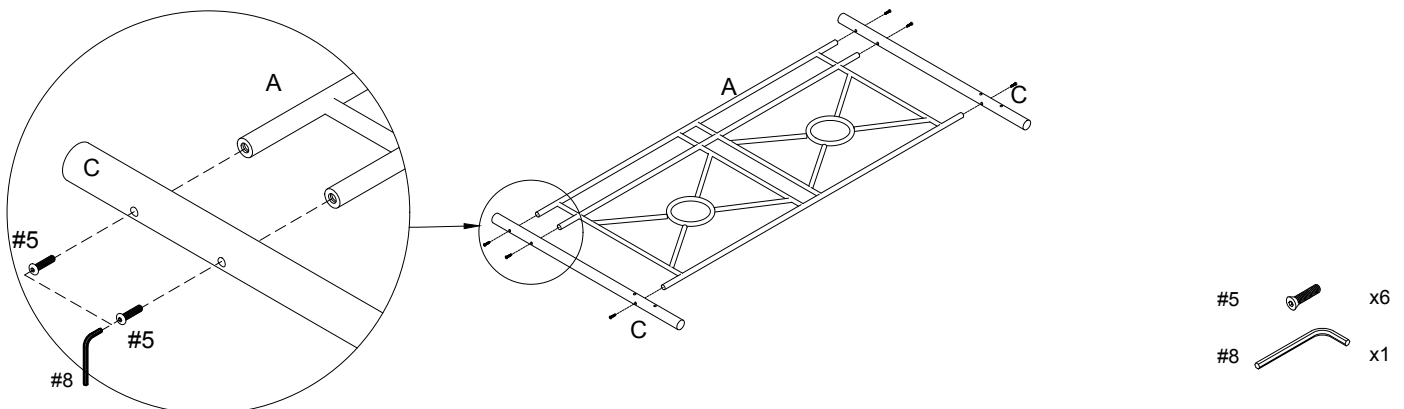
Step 1. Lay panel (part A) upside down on a soft flat surface, such as carpet, as shown below. Attach headboard legs (part B) to panel (part A) using long sunk bolts (part #5) and allen wrench (part #8).

Note: Please fully tighten all bolts at this time.



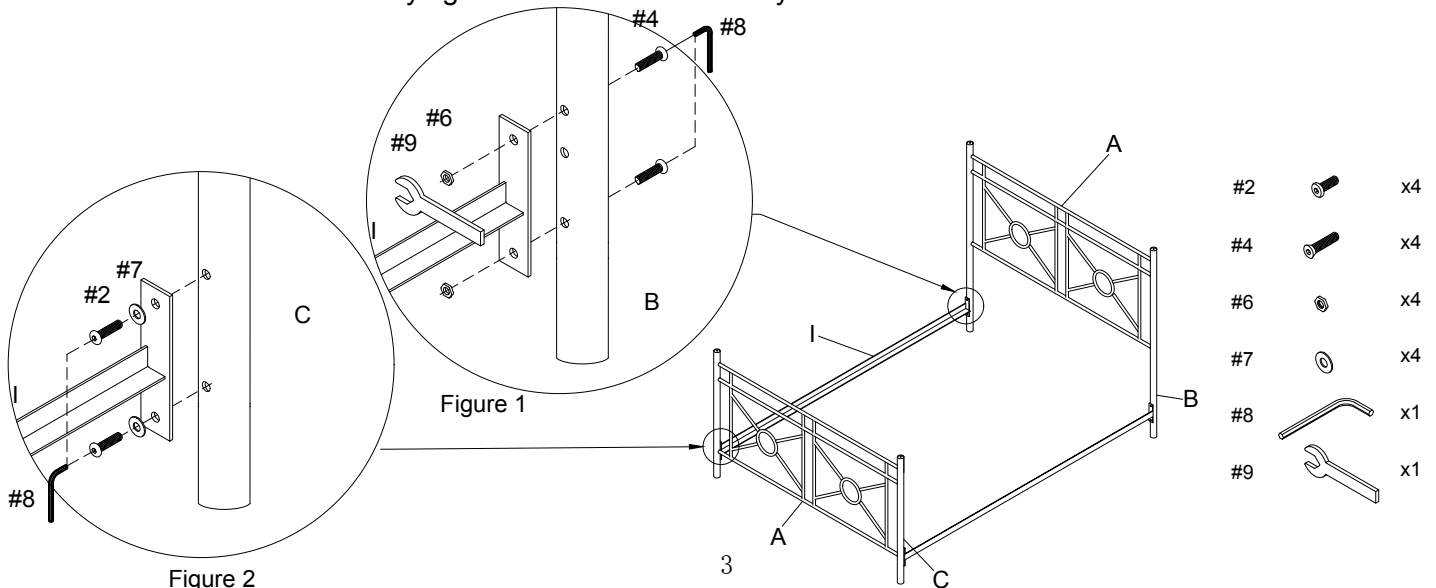
Step 2. Lay panel (part A) upside down on a soft flat surface, such as carpet, as shown below. Attach footboard legs (part C) to panel (part A) using long sunk bolts (part #5) and allen wrench (part #8).

Note: Please fully tighten all bolts at this time.

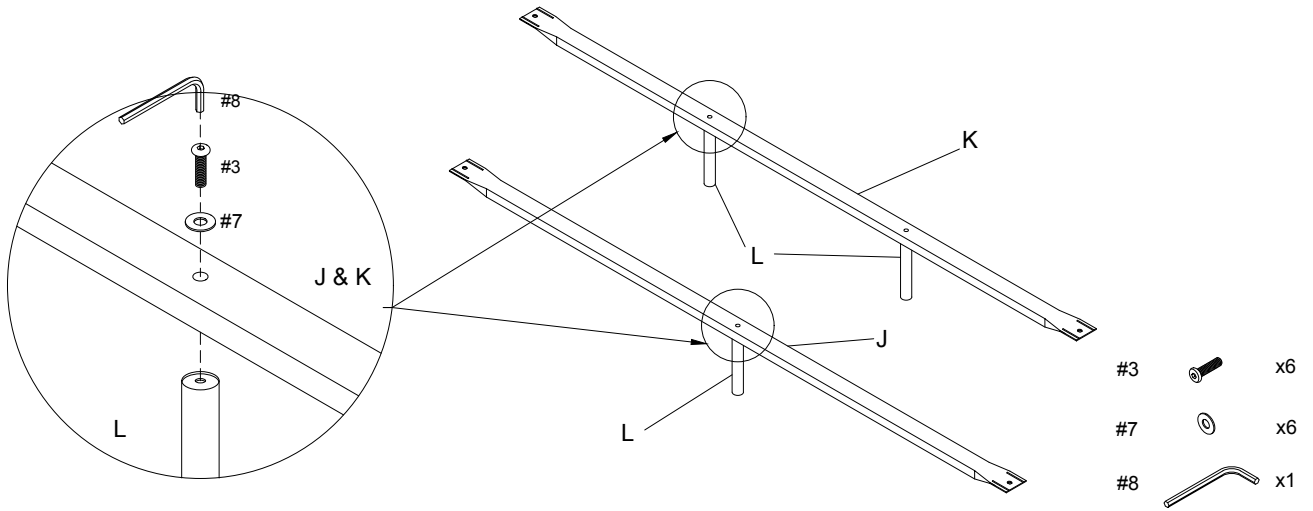


Step 3. Carefully turn assembled unit (parts A & B) upright. Attach side rails (part I) to headboard legs (part B) using short sunk bolts (part #4), hex nuts (part #6), allen wrench (part #8) and wrench (part #9). See Figure 1. Carefully turn assembled unit (parts A & C) upright. Attach side rails (part I) to footboard legs (part C) using medium bolts (part #2), flat washers (part #7) and allen wrench (part #8). See Figure 2.

Note: Please do not fully tighten bolts until unit is fully assembled.

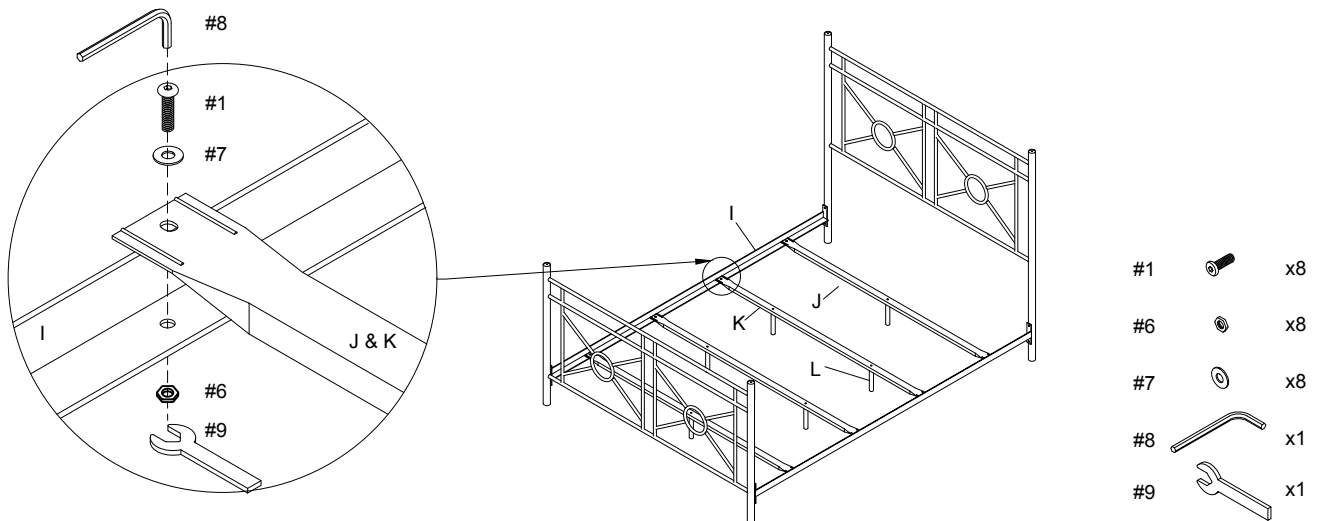


Step 4. Attach support legs (part L) to the bottom of end slats (part J) and center slats (part K) using long bolts (part #3), flat washers (part #7) and allen wrench (part #8).

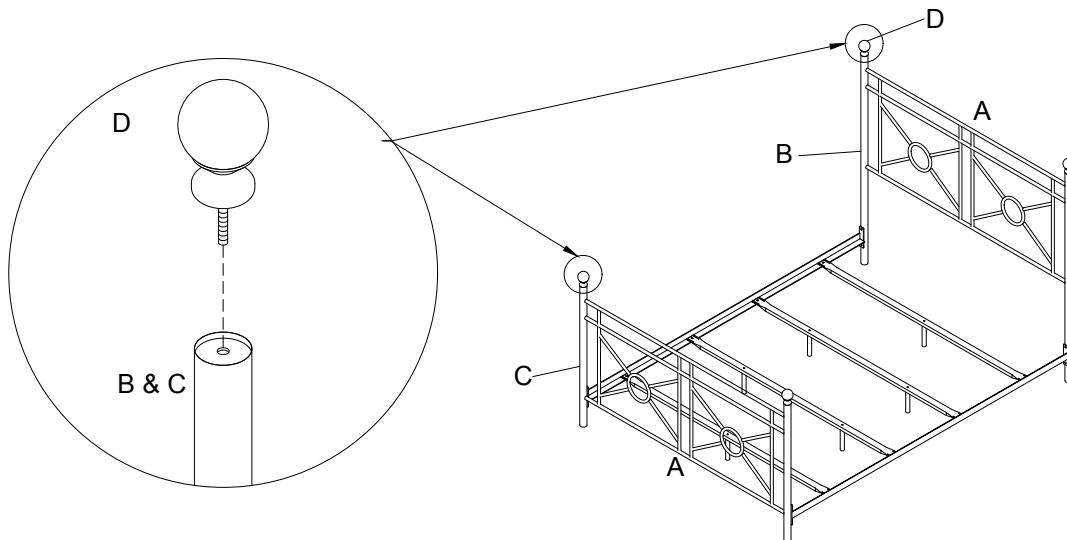


Step 5. Attach assembled units (parts J, K & L) to side rails (part I) using bolts (part #1), flat washers (part #7), hex nuts (part #6), allen wrench (part #8) and wrench (part #9).

Note: Please fully tighten all bolts at this time.

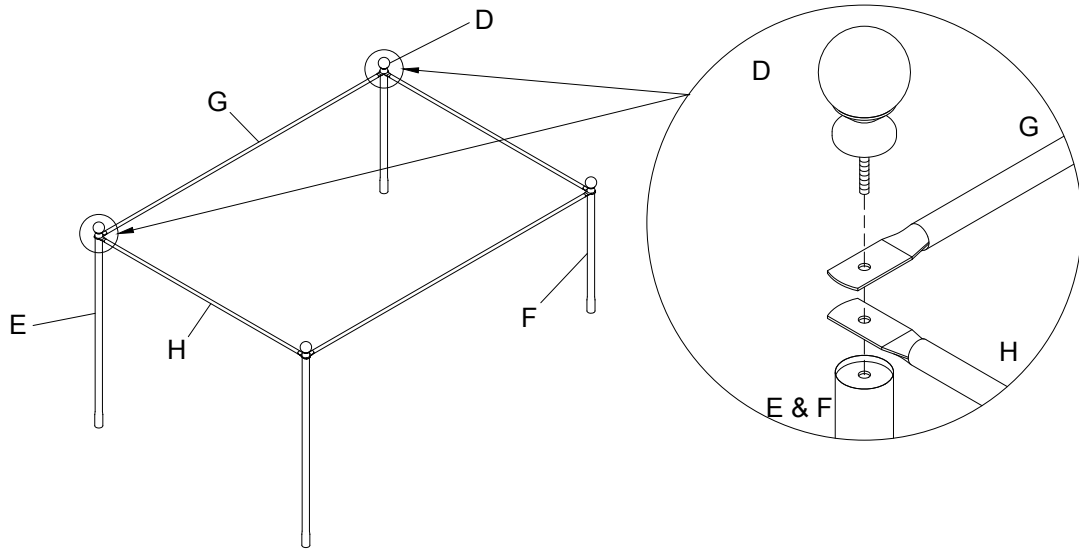


Step 6. Screw finials (part D) on headboard legs (part B) and footboard legs (part C) by hand.



Canopy Assembly:

Step 7. Remove finials (part D) from headboard legs (part B) and footboard legs (part C) by hand. Carefully line up holes on long canopy poles (part G) and short canopy poles (part H) to footboard posts (part E) and headboard posts (part F) and secure with finials (part D).



Step 8. Insert headboard posts (part F) onto headboard legs (part B) and footboard posts (part E) onto footboard legs (part C).

