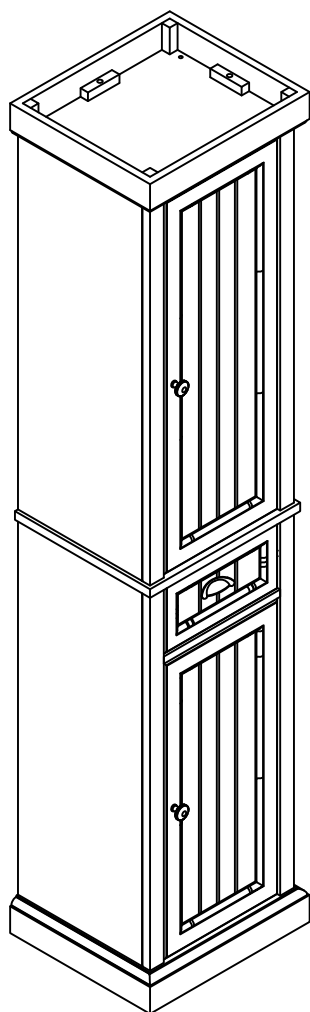


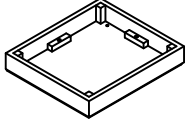
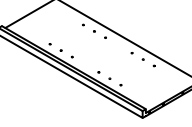
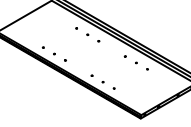
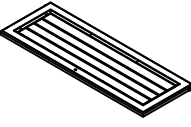
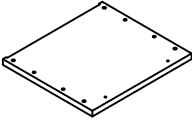
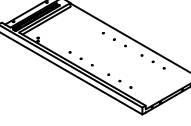
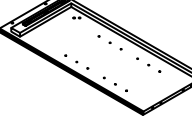
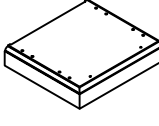
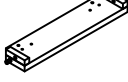
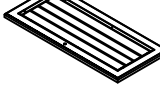
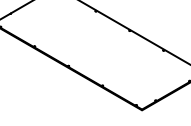
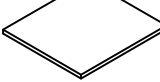

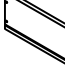
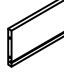
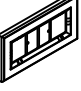
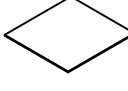


Tall Linen Cabinet






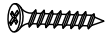










CF7019



PART LIST

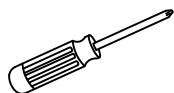
<p>A</p> 	<p>B</p> 	<p>C</p> 	<p>D</p> 	<p>E</p> 
<p>Top Panel 1 PC</p>	<p>Left Panel 1 PC</p>	<p>Right Panel 1 PC</p>	<p>Upper Door Panel 1 PC</p>	<p>Middle Shelf 1 PC</p>
<p>F</p> 	<p>G</p> 	<p>H</p> 	<p>I</p> 	<p>J</p> 
<p>Lower Left Panel 1 PC</p>	<p>Lower Right Panel 1 PC</p>	<p>Bottom Panel 1 PC</p>	<p>Rail 1 PC</p>	<p>Lower Door Panel 1 PC</p>
<p>K</p> 	<p>L</p> 	<p>M</p> 	<p>N</p> 	<p>O</p> 
<p>Back Panel 2 PCS</p>	<p>Adjustable Shelf 4 PCS</p>	<p>Drawer Left Panel 1 PC</p>	<p>Drawer Right Panel 1 PC</p>	<p>Drawer Back Panel 1 PC</p>
<p>P</p> 	<p>Q</p> 			
<p>Drawer Front Panel 1 PC</p>	<p>Drawer Bottom Panel 1 PC</p>			

HARDWARE LIST

 $\phi 1/4" \times 1-1/2"$	 $\phi 1/4" \times 1-1/4"$	 $\phi 1/4"$	 $\phi 1/4" \times 16\text{mm}$	 $\phi 8 \times 30\text{mm}$
Long Bolt 8 PCS	Short Bolt 10 PCS (Extra 1)	Spring Washer 18 PCS (Extra 1)	Flat Washer 18 PCS (Extra 1)	Wood Dowel 16 PCS (Extra 1)
 $\phi 8 \times 1"$		 $\phi 3 \times 14\text{mm}$		 $\phi 3 \times 14\text{mm}$
Long Screw 8 PCS	Magnet 2 PCS	Round Head Screw 4 PCS	Shelf Holder 16 PCS (Extra 1)	Screw 28 PCS (Extra 1)
	 $\phi 5/32 \times 19\text{mm}$		 $\phi 5/32 \times 15\text{mm}$	
Knob 2 PCS	Round Head Bolt 2 PCS	Handle 1 PC	Round Head Short Bolt 2 PCS	Allen Wrench 1 PC
 Safety Strap Kit 1 SET				

ADDITIONAL TOOLS (Not Provided)

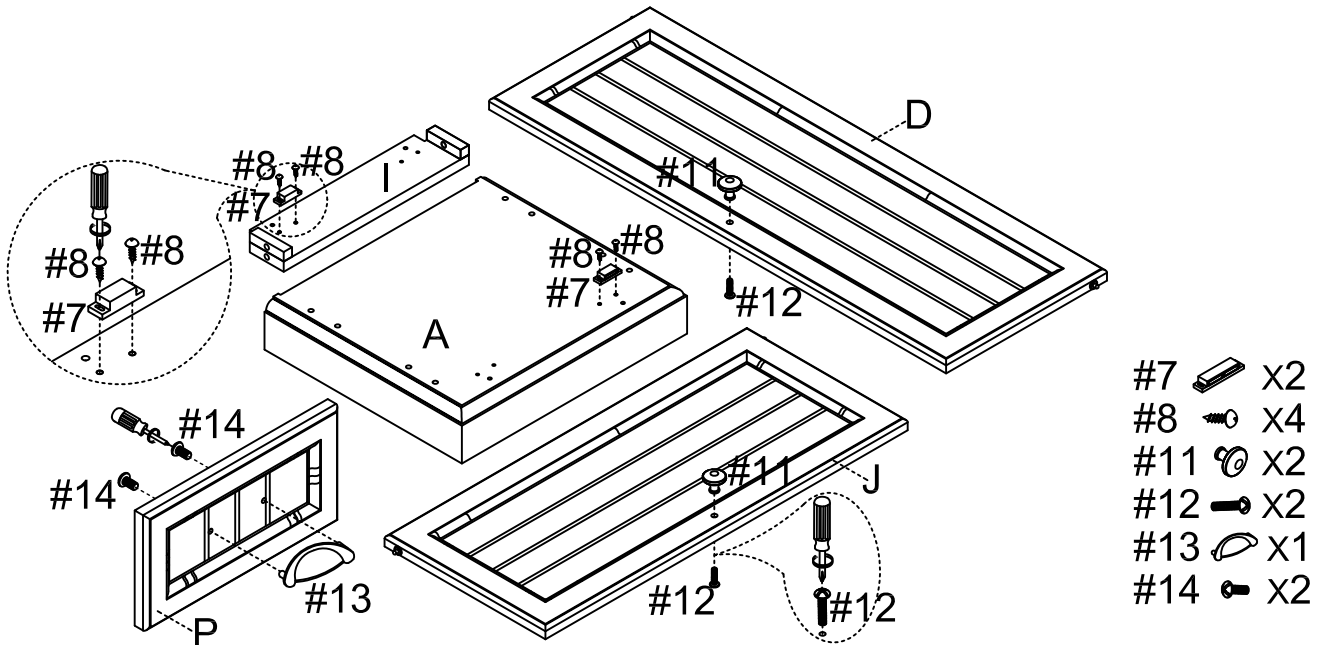
Note: It is not recommended to use power tools during assembly.



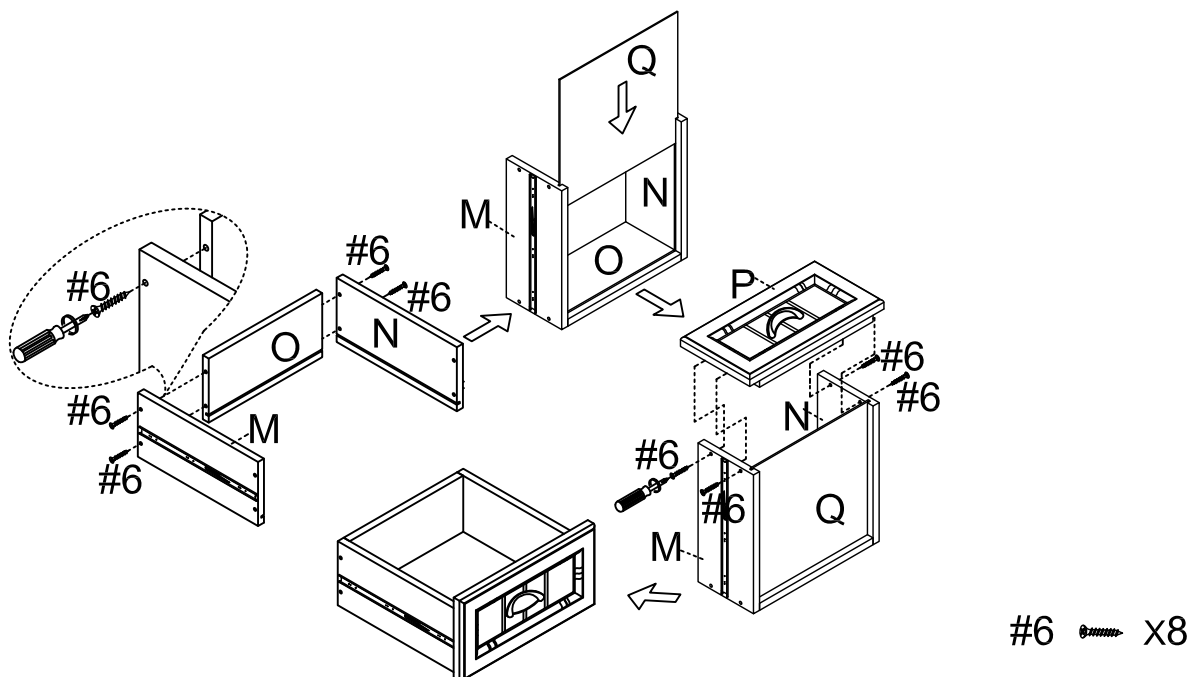
Phillips Head Screwdriver

Note: Wood dowels are intended for alignment. Additional clearance between wood dowel and pre-drilled hole is intentional for ease of assembly.

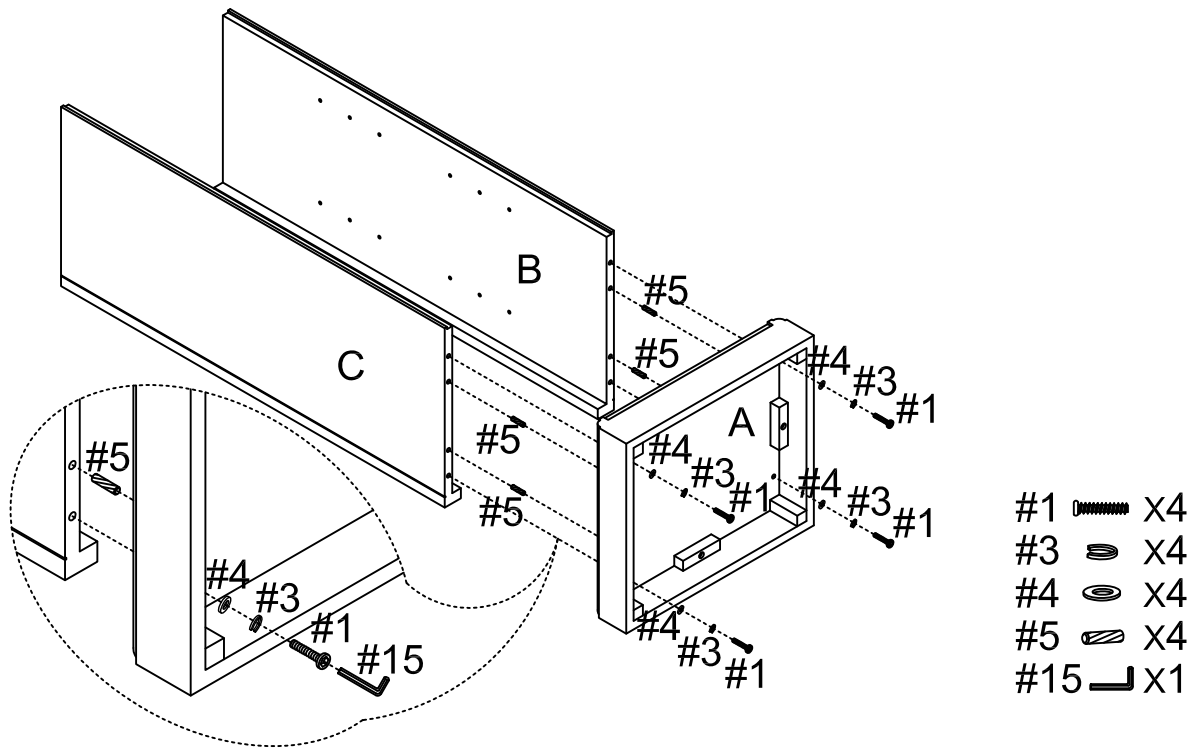
Step 1. Attach knobs (part #11) to door panels (parts D & J) using round head bolts (part #12) and phillips head screwdriver. Attach magnets (part #7) to top panel (part A) and rail (part I) using round head screws (part #8) and phillips head screwdriver. Attach handle (part #13) to drawer front panel (part P) using round head short bolts (part #14) and phillips head screwdriver.



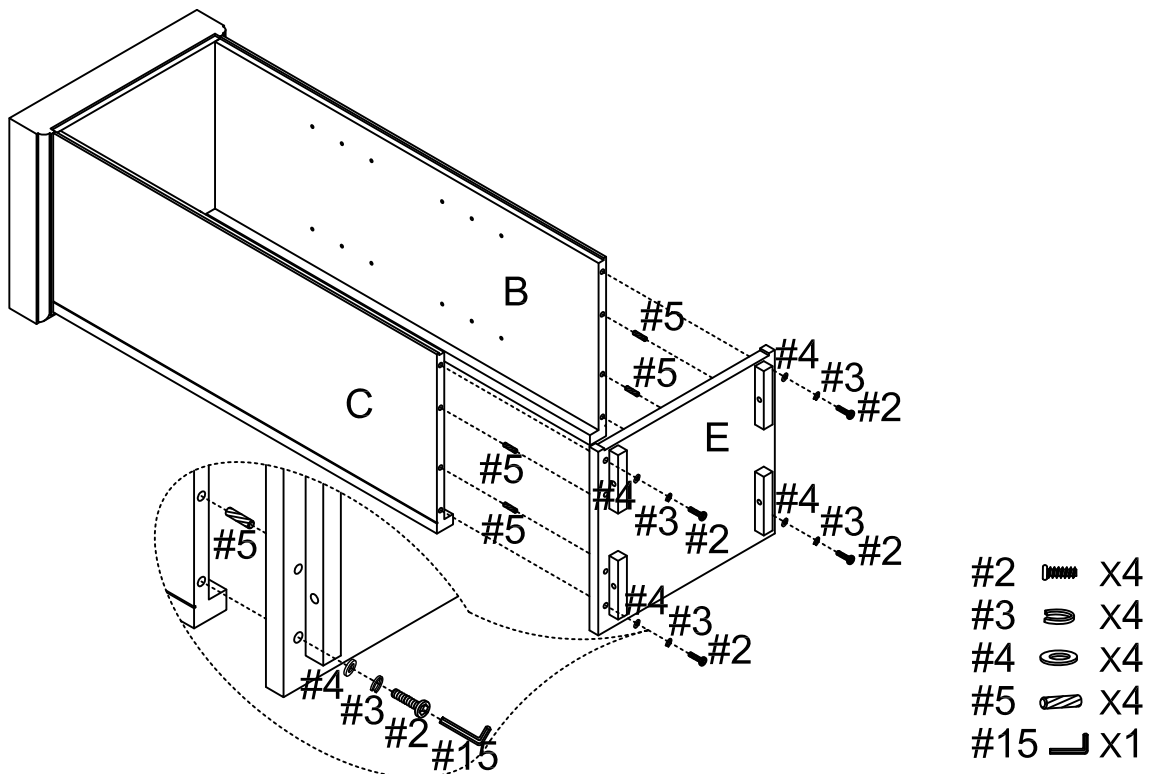
Step 2. Attach drawer panels (parts M & N) to drawer back panel (part O) using long screws (part #6) and phillips head screwdriver. Slide drawer bottom panel (part Q) into the grooves of assembled unit (parts M, N & O). Attach drawer front panel (part P) to assembled unit (parts M, N & Q) using long screws (part #6) and phillips head screwdriver.



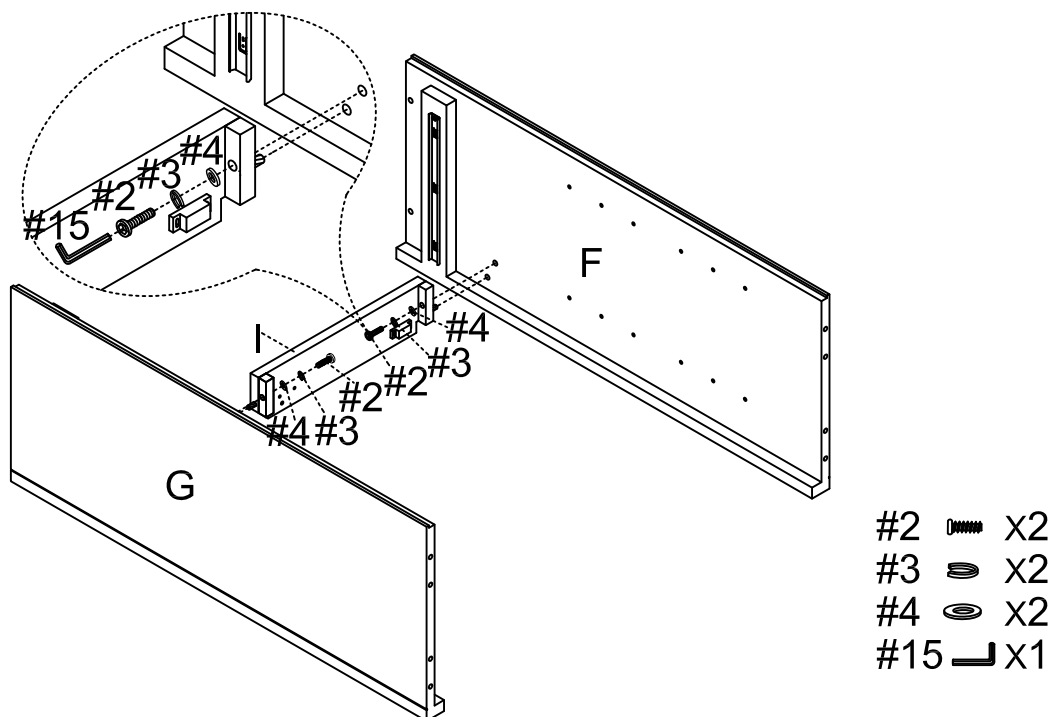
Step 3. Attach top panel (part A) to panels (parts B & C) using wood dowels (part #5), long bolts (part #1), spring washers (part #3), flat washers (part #4) and allen wrench (part #15).



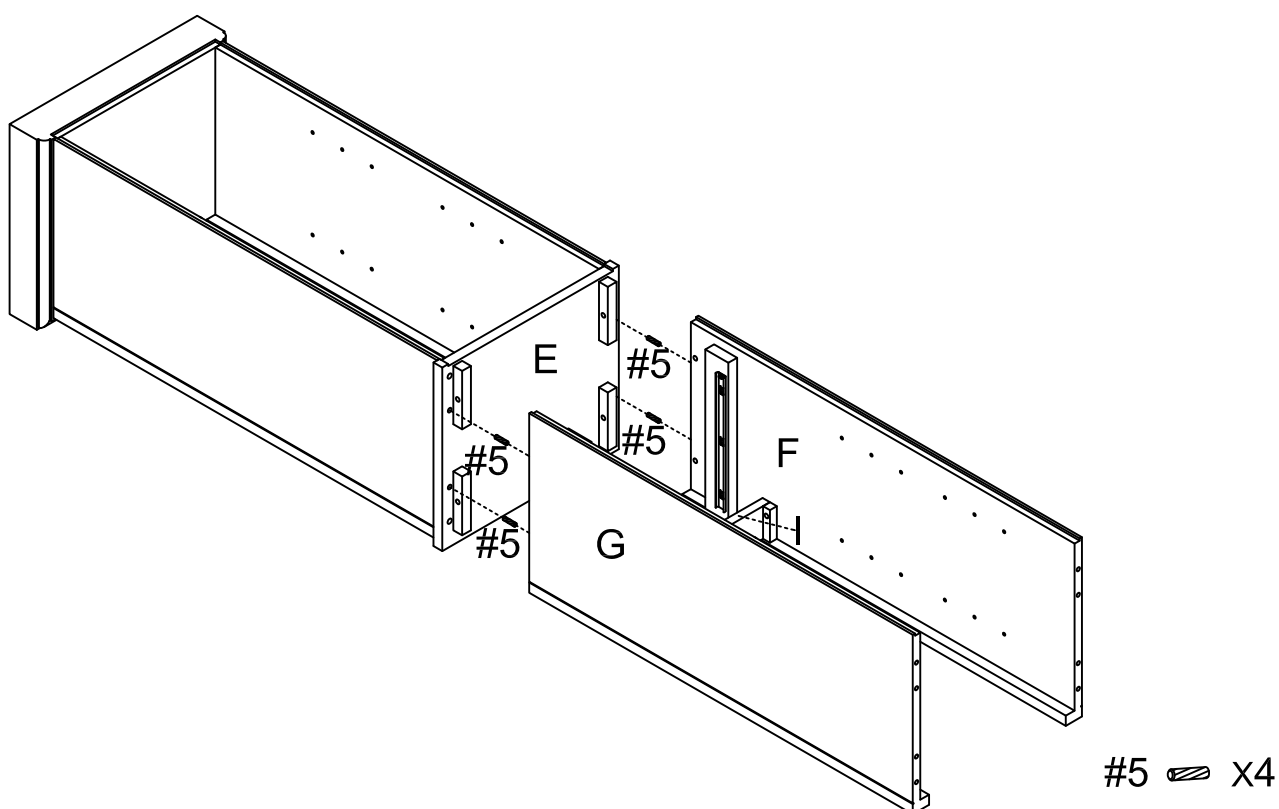
Step 4. Attach middle shelf (part E) to panels (parts B & C) using wood dowels (part #5), short bolts (part #2), spring washers (part #3), flat washers (part #4) and allen wrench (part #15).



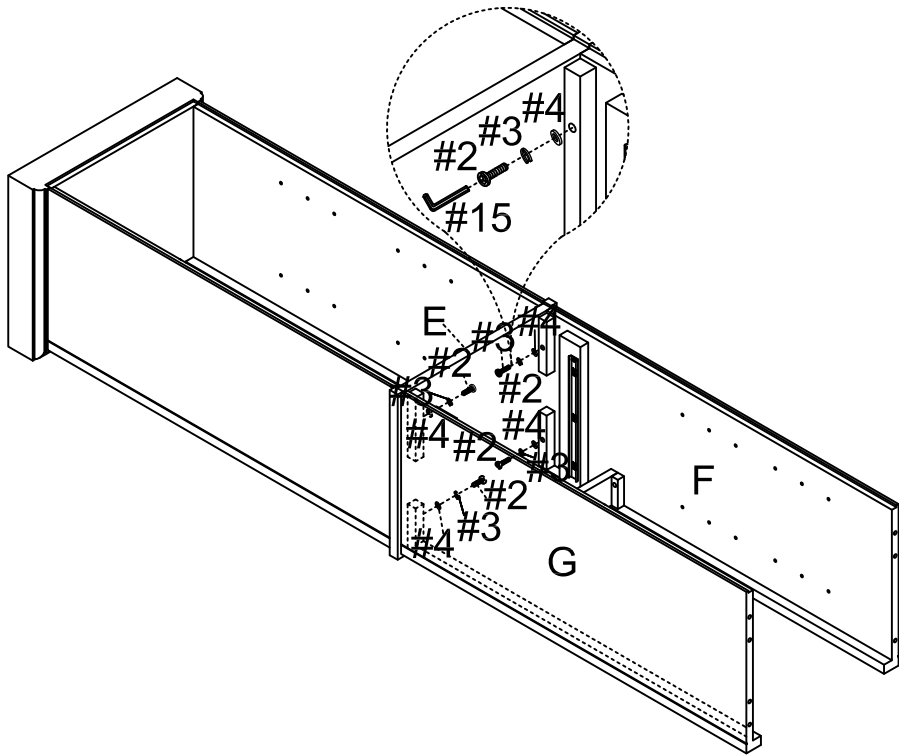
Step 5. Attach rail (part I) to lower left panel (part F) and lower right panel (part G) using short bolts (part #2), spring washers (part #3), flat washers (part #4) and allen wrench (part #15).







Step 6. Attach assembled unit (parts F, G & I) to middle shelf (part E) using wood dowels (part #5).

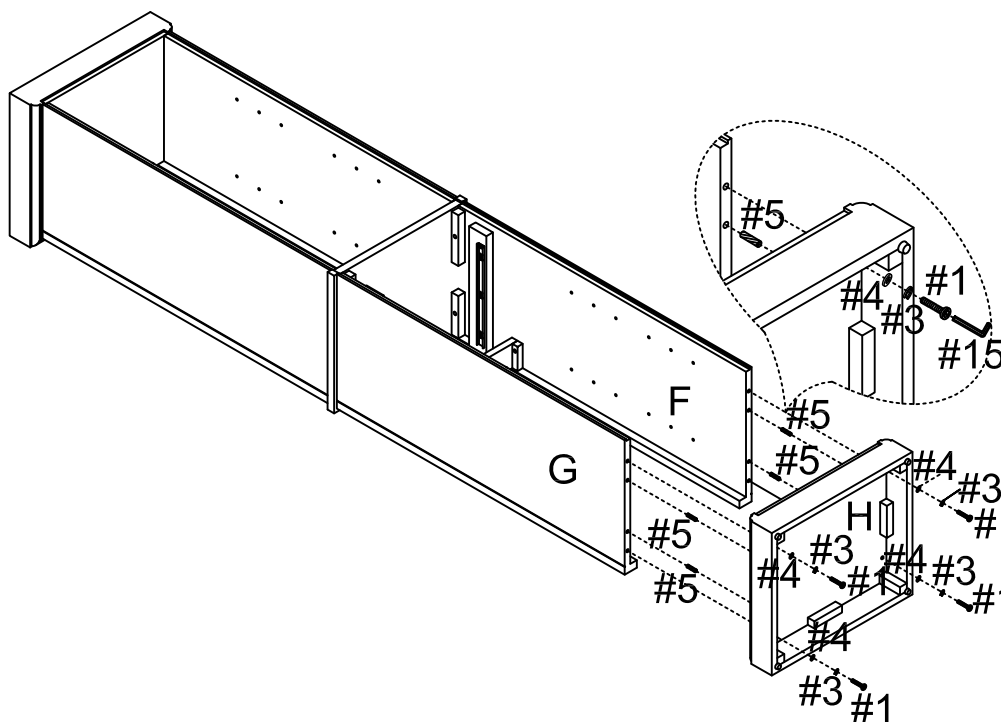







Step 7. Attach lower panels (parts F & G) to middle shelf (part E) using short bolts (part #2), spring washers (part #3), flat washers (part #4) and allen wrench (part #15).



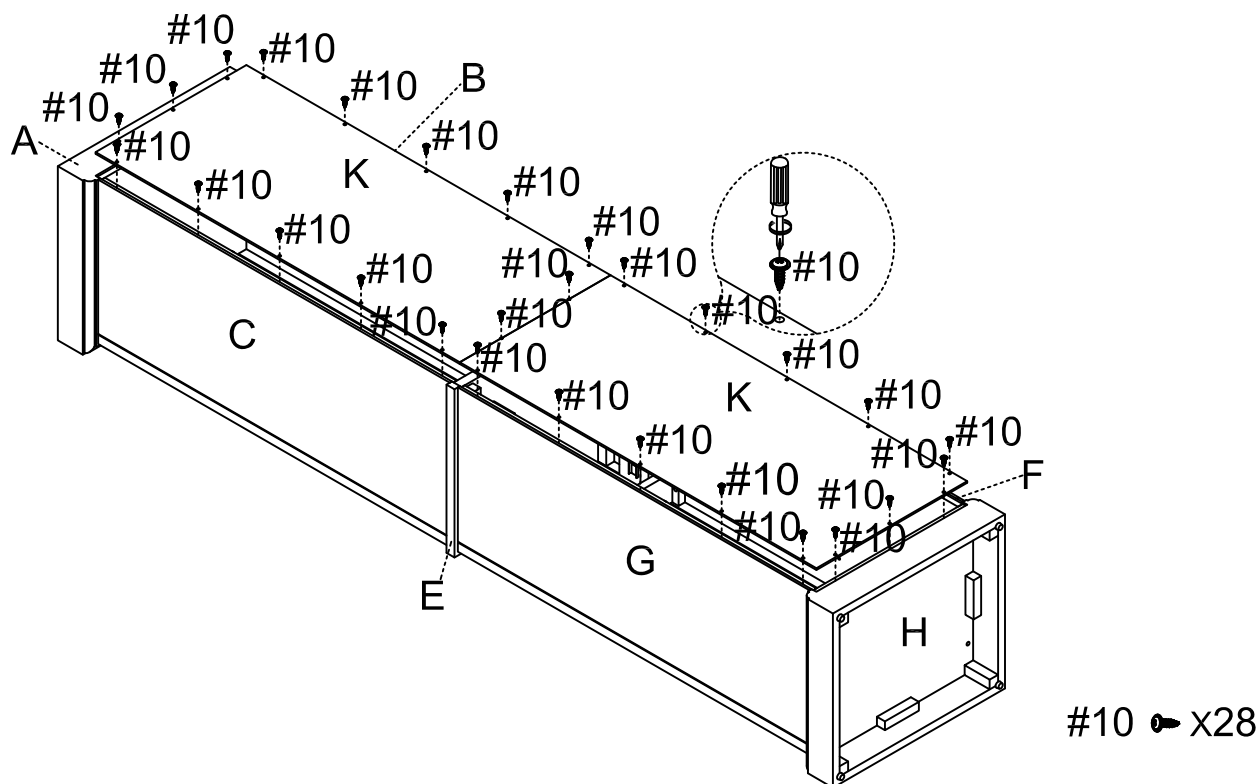
- #2  X4
- #3  X4
- #4  X4
- #15  X1

Step 8. Attach bottom panel (part H) to lower panels (parts F & G) using wood dowels (part #5), long bolts (part #1), spring washers (part #3), flat washers (part #4) and allen wrench (part #15).

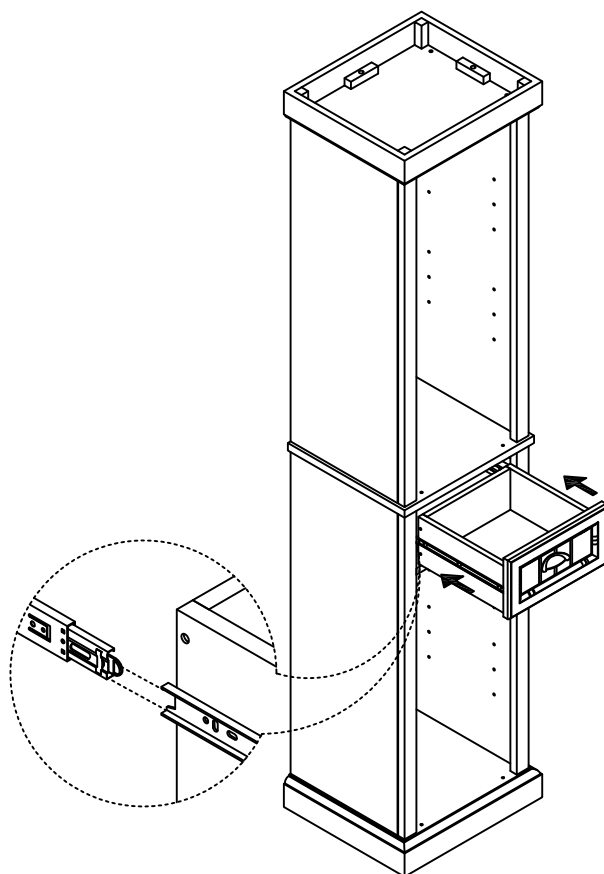


- #1  X4
- #3  X4
- #4  X4
- #5  X4
- #15  X1

Step 9. Attach back panels (part K) to assembled unit (parts A, B, C, E, F, G & H) using screws (part #10) and phillips head screwdriver.

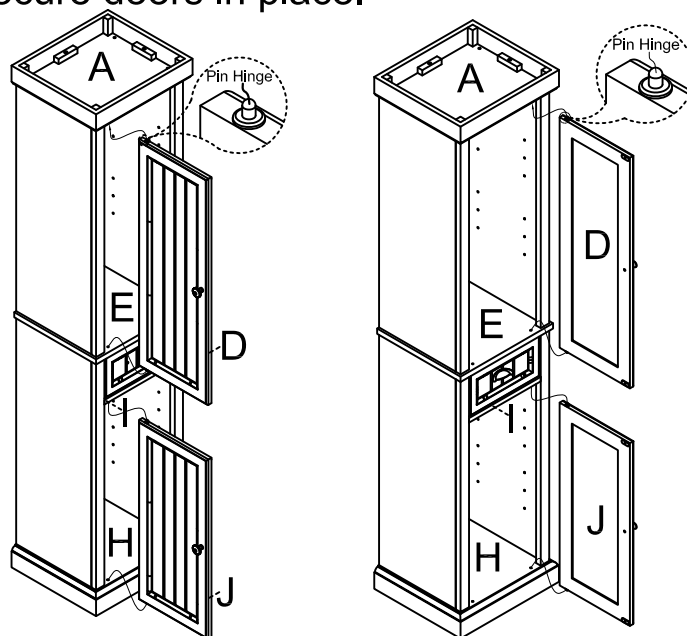


Step 10. Carefully turn unit upright. Slide assembled drawer into place.

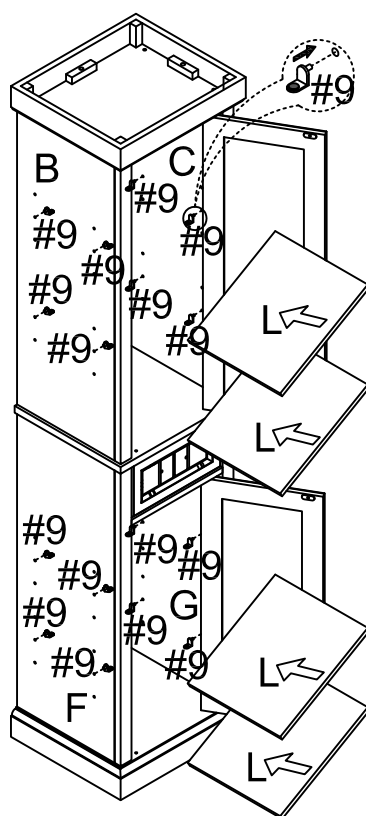


Step 11. There are two installation options for door panels (parts D & J). Attach door panels (parts D & J) by placing bottom pin hinge (pre-installed in door) to bottom panel (part H) and middle shelf (part E). Then depress the top spring-loaded pin hinge so it can be placed in the pre-drilled hole of top panel (part A) and rail (part I).







Note: Be sure top and bottom pin hinges are fully extended to secure doors in place.



Step 12. Place shelf holders (part #9) into desired position and then slide adjustable shelves (part L) into place.



#9  x16

#16	A	B	C	D	E
					
Safety Strap Kit 1 SET	Wall Anchor 1 PC	Bracket 2 PCS	5/8"x φ3xD8 Short Screw 1 PC	1-1/2"x φ4xD8 Long Screw 1 PC	Safety Wall Strap 1 PC

SAFETY WALL STRAP INSTALLATION

Note: It is highly recommended to install this safety strap kit to prevent tipping, damage and/or injury.

1. Insert short screw (C) and safety wall strap (E) through bracket (B) and attach to top panel (part A) using phillips head screwdriver.
2. Drill a 11/32" hole where you want to secure the unit. The drilled hole will be at the same height as the hole in top panel (part A) where bracket (B) is attached. Tap wall anchor (A) into the hole.
3. Insert long screw (D) and safety wall strap (E) through bracket (B) into wall anchor (A) using phillips head screwdriver.

Note: This item is not intended for clothing storage use.

