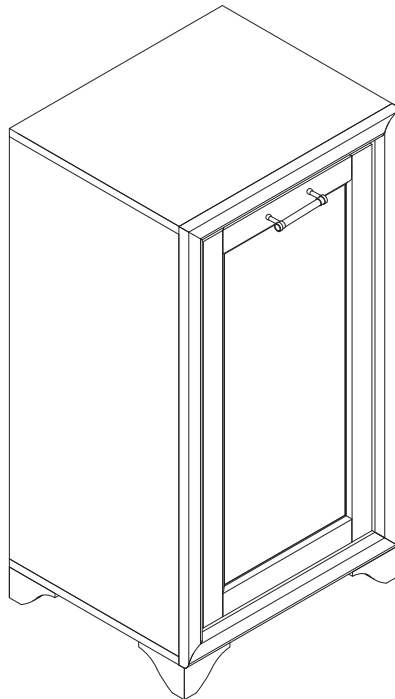
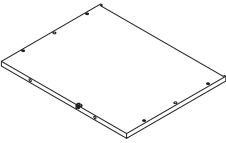
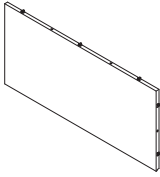
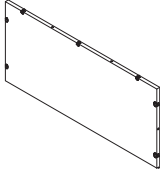
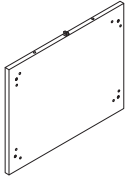

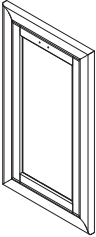


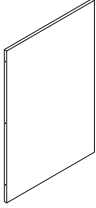

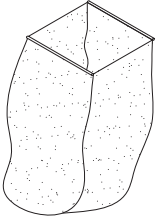
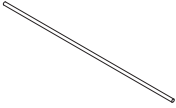




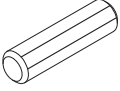
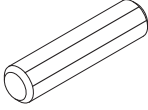

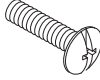
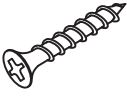
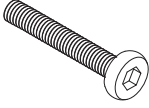



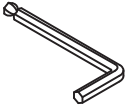

Linen Hamper  
CF7009



# PART LIST

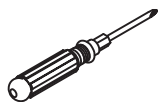
<b>A</b> 	<b>B</b> 	<b>C</b> 	<b>D</b> 	<b>E</b> 
Top Panel 1 PC	Left Side Panel 1 PC	Right Side Panel 1 PC	Bottom Panel 1 PC	Back Panel 1 PC
<b>F</b> 	<b>G</b> 	<b>H</b> 	<b>I</b> 	<b>J</b> 
Box Front Panel 1 PC	Box Left Side Panel 1 PC	Box Right Side Panel 1 PC	Box Back Panel 1 PC	Leg 4 PCS
<b>K</b> 	<b>L</b> 			
Bag 1 PC	Spindle 2 PCS			

# HARDWARE LIST

<p><b>#1</b></p>  <p>Ø8*30mm</p>	<p><b>#2</b></p>  <p>Ø10*50mm</p>	<p><b>#3</b></p> 	<p><b>#4</b></p>  <p>3/4"*Ø5/32"*D9mm</p>	<p><b>#5</b></p> 
<p>Small Wood Dowel 21 PCS(Extra 1)</p>	<p>Large Wood Dowel 3 PCS(Extra 1)</p>	<p>Handle 1 PC</p>	<p>Round Head Bolt 3 PCS(Extra 1)</p>	<p>Flat Head Screw 13 PCS(Extra 1)</p>
<p><b>#6</b></p>  <p>1-1/4"*Ø1/4"*D11mm</p>	<p><b>#7</b></p> 	<p><b>#8</b></p> 	<p><b>#9</b></p> 	<p><b>#10</b></p> 
<p>Bolt 5 PCS(Extra 1)</p>	<p>Flat Washer 5 PCS(Extra 1)</p>	<p>Spring Washer 5 PCS(Extra 1)</p>	<p>Screw 15 PCS(Extra 1)</p>	<p>Allen Wrench 1 PC</p>
<p><b>#11</b></p>  <p>Safety Strap Kit 1 PC</p>				

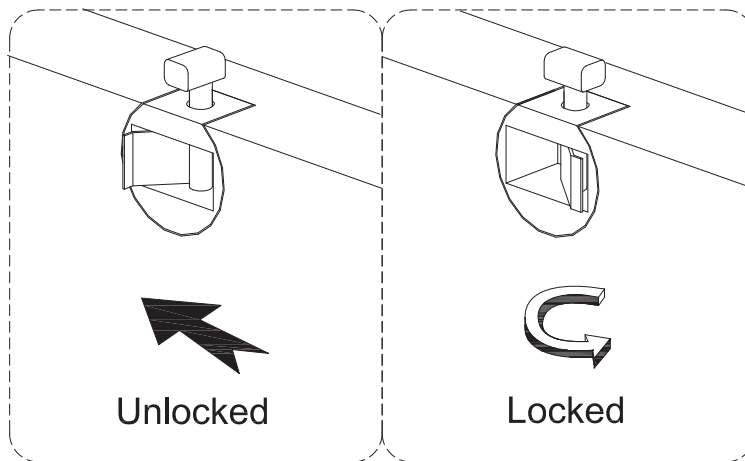
ADDITIONAL TOOLS (Not Provided)

Note: It is not recommended to use power tools during assembly.



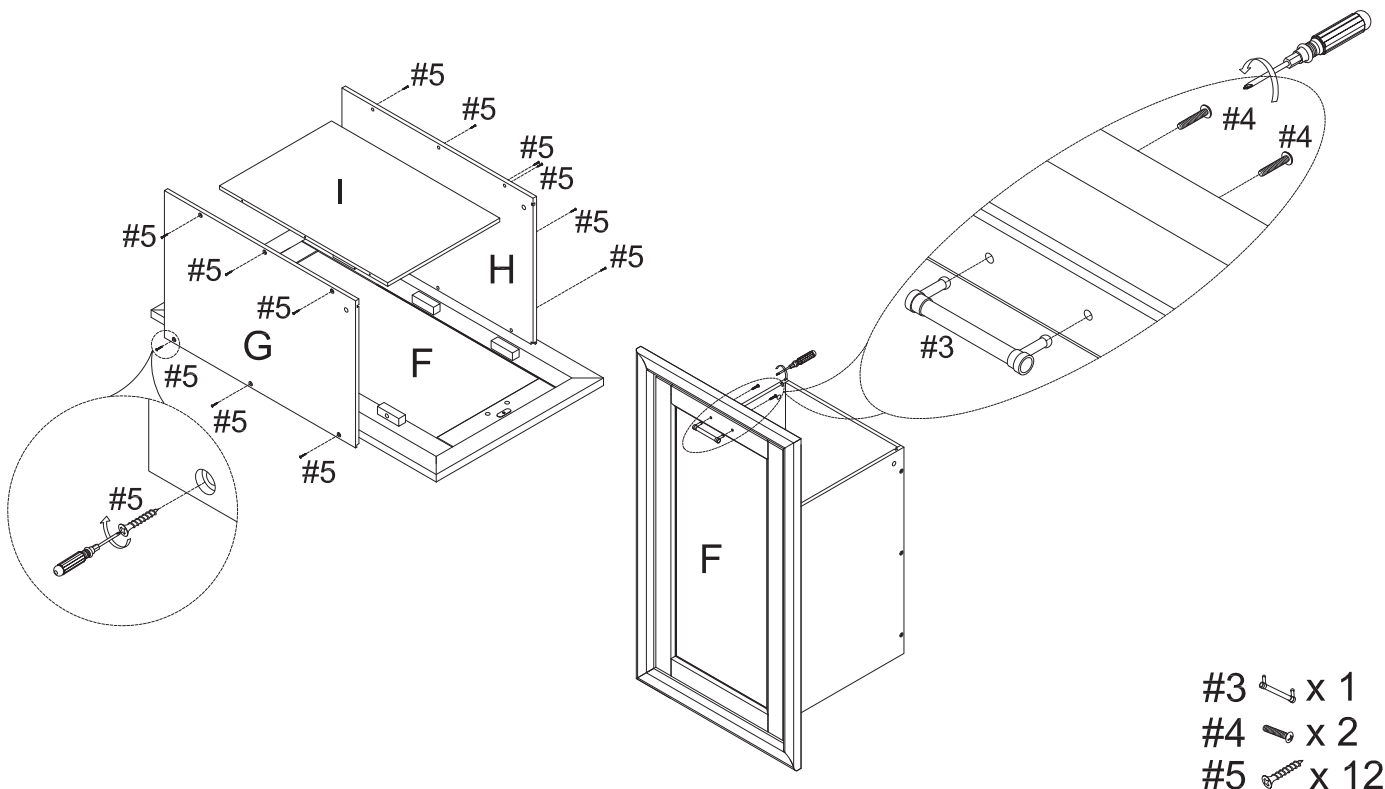
Phillips Head Screwdriver

Please do not use tools to assemble this unit unless specifically indicated.

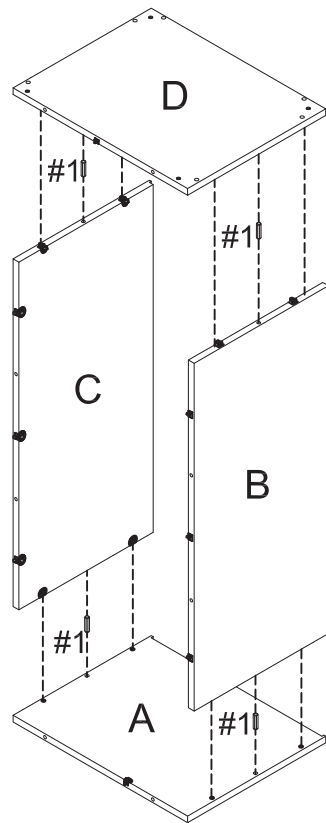


Reference the images above any time the instructions state "lock the hardware".  
Note: Be sure to check all hardware is locked when completed.

Step 1. Attach box left side panel (part G), box right side panel (part H) to box front panel (part F) and box back panel (part I) using flat head screws (part #5) and phillips head screwdriver. Attach handle (part #3) to box front panel (part F) using round head bolts (part #4) and phillips head screwdriver.

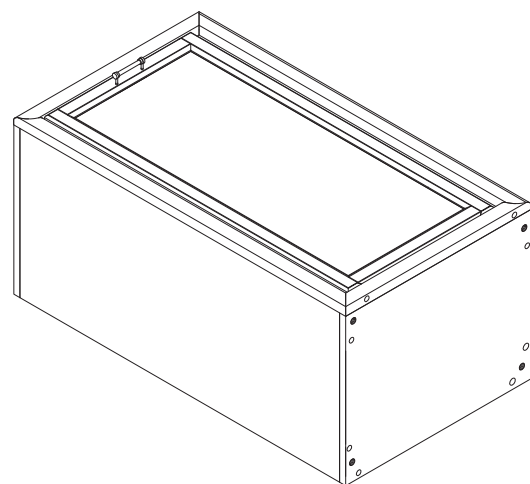
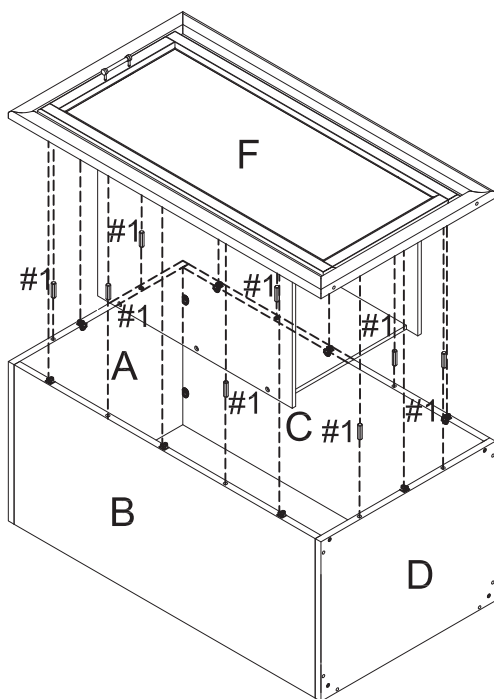


Step 2. Lay top panel (part A) upside down on a soft surface, such as carpet, as shown below. Attach left side panel (part B) and right side panel (part C) to top panel (part A) and bottom panel (part D) using small wood dowels (part #1) and lock the hardware.



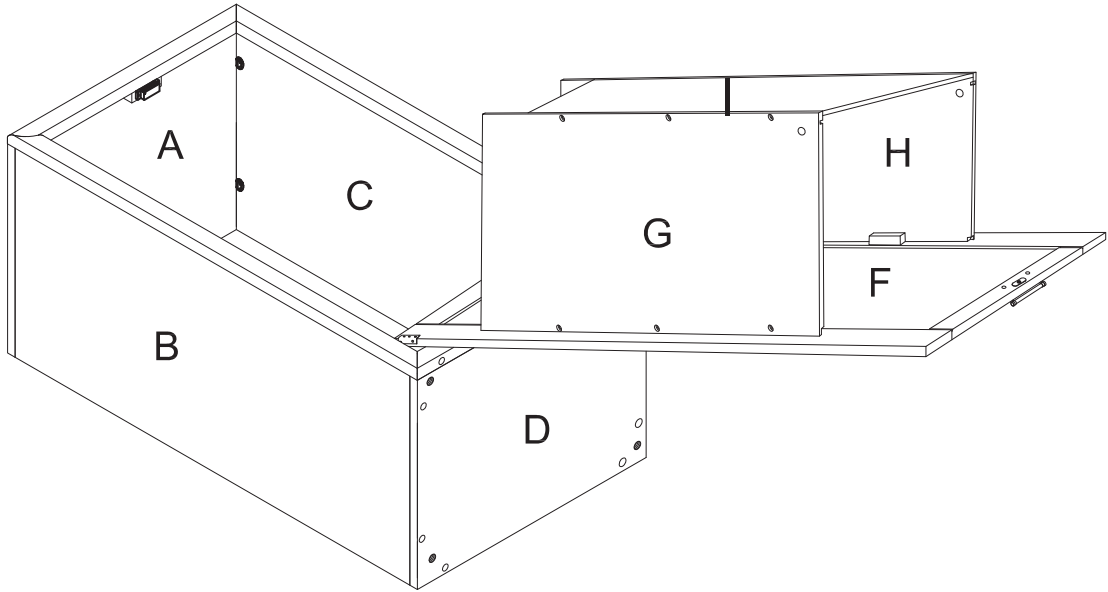
#1  x 4

Step 3. Attach assembled unit (parts F, G, H & I) to assembled unit (parts A, B, C & D) using small wood dowels (part #1).

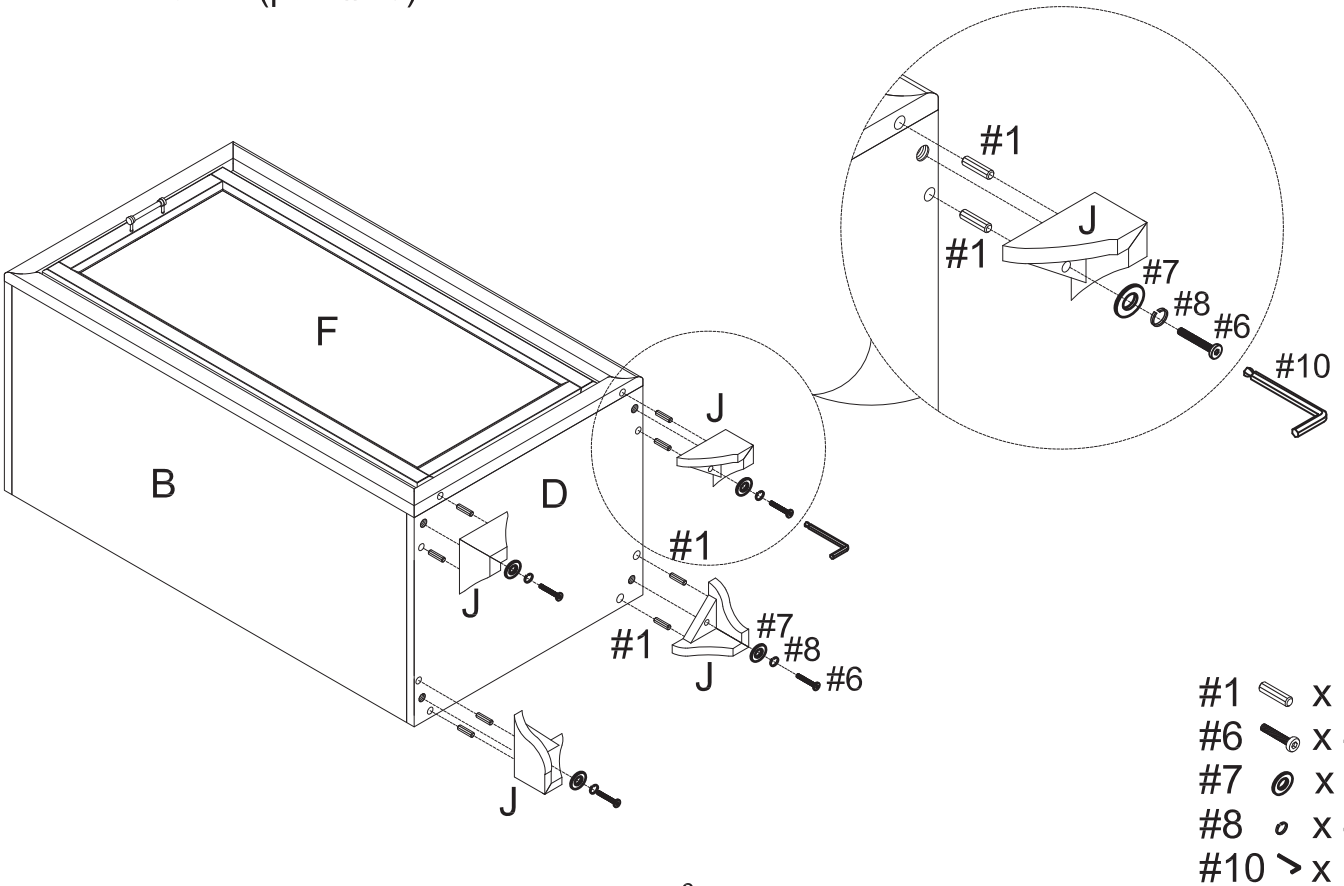


#1  x 8

Step 4. Open the box front panel (part F) and then lock the hardware.

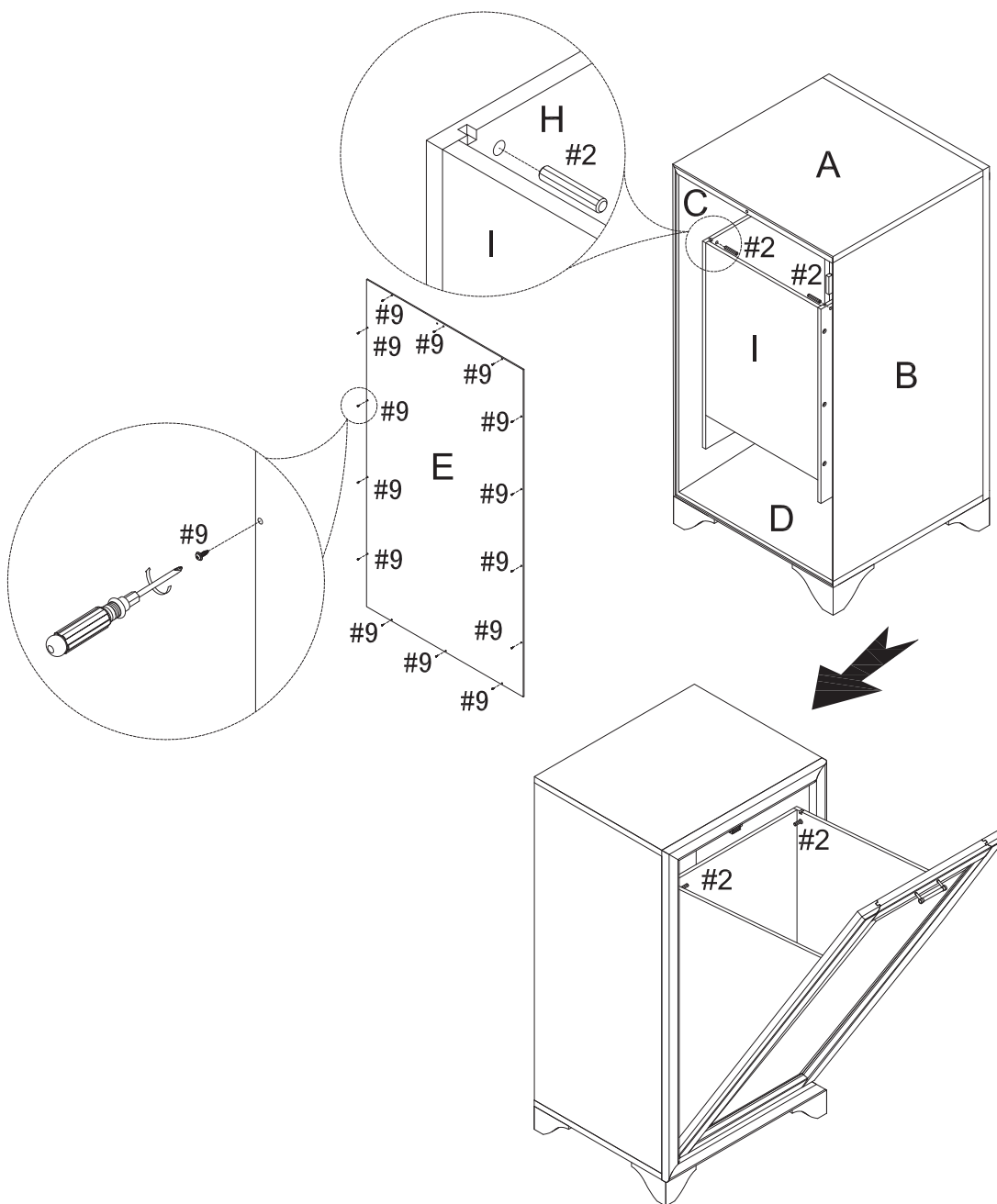


Step 5. Attach legs (part J) to bottom panel (part D) using small wood dowels (part #1), flat washers (part #7), spring washers (part #8), bolts (part #6) and allen wrench (part #10).



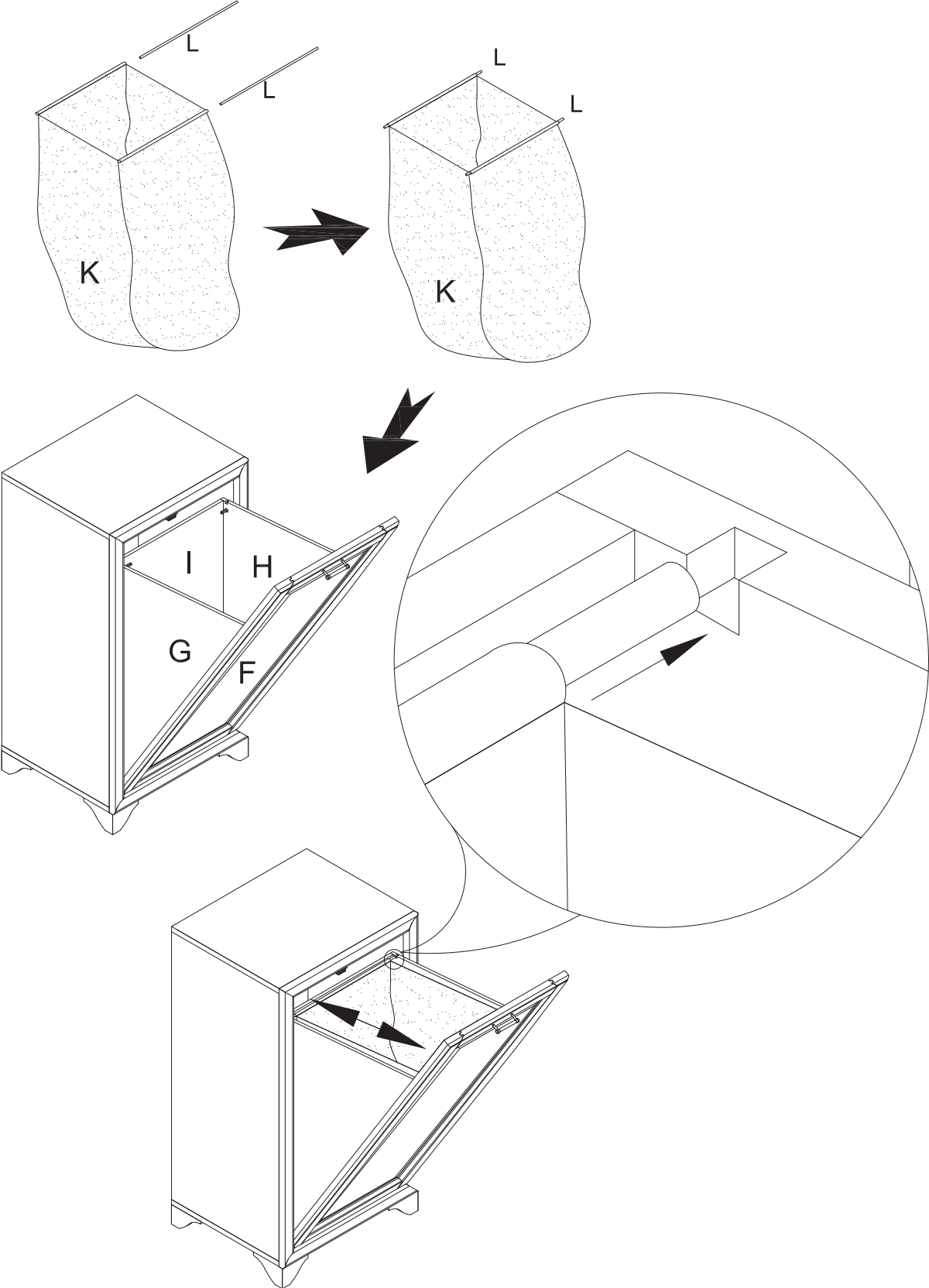
Step 6. Carefully turn unit upright. Insert large wood dowels (part #2) into box left side panel (part G) and box right side panel (part H) from the back before installing back panel (part E). Attach back panel (part E) to assembled unit (parts A, B, C & D) using screws (part #9) and phillips head screwdriver.

Note: Installing large wood dowels (part #2) will prevent inner box from falling out as shown below.


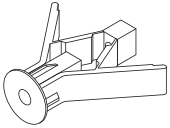


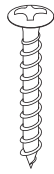
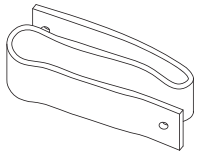


#2  x2  
 #9  x14

Step 7. Insert spindles (part L) through bag (part K). Put into the box as shown.





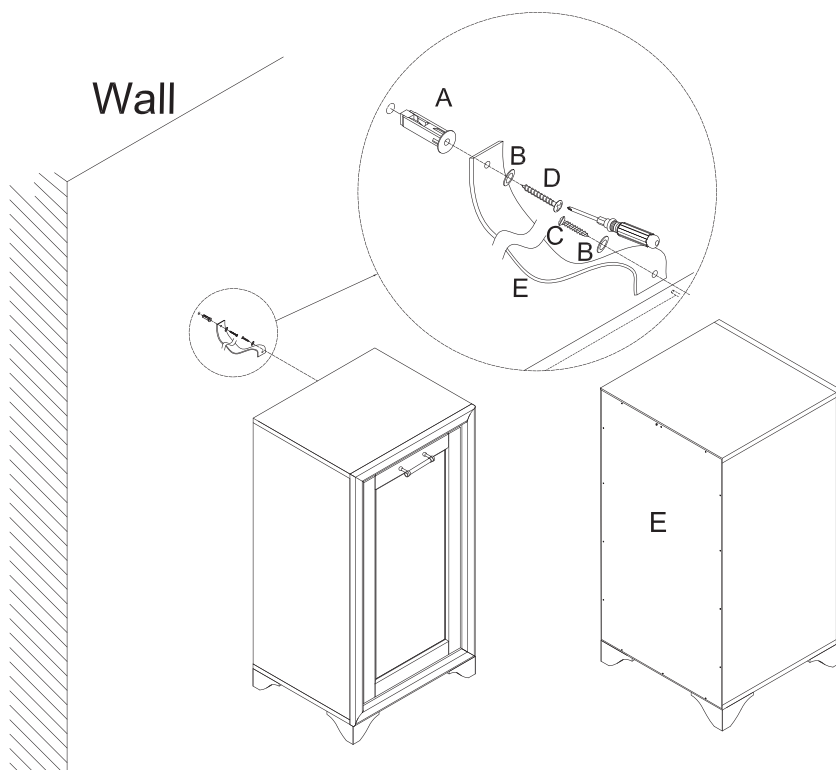
<b>#11</b> 	<b>A</b> 	<b>B</b> 	<b>C</b>  D8*3/4"	<b>D</b>  D8*1-1/2"	<b>E</b> 
Safety Strap Kit 1 PC	Wall Anchor 1 PC	Washer 2 PCS	Short Screw 1 PC	Long Screw 1 PC	Safety Wall Strap 1 PC

## SAFETY WALL STRAP INSTALLATION

Note: It is highly recommended to install this safety strap kit to prevent tipping, damage and/or injury.

1. Insert short screw (C) through washer (B) and safety wall strap (E) and attach to back panel (part E) using phillips head screwdriver.
2. Drill a 11/32" hole where you want to secure the unit. The drilled hole will be at the same height as the hole in back panel (part E) where the safety wall strap (E) is attached. Tap wall anchor (A) into the hole.
3. Insert long screw (D) through washer (B) and safety wall strap (E) into wall anchor (A) using phillips head screwdriver.

Note: This item is not intended for clothing storage use.



### ⚠ WARNING



Children have died from furniture tipover. To reduce the risk of furniture tipover:

- ALWAYS install tipover restraint provided.
- NEVER put a TV on this product.
- NEVER allow children to stand, climb or hang on drawers, doors, or shelves.
- NEVER open more than one drawer at a time.
- Place heaviest items in the lowest drawers.



*This is a permanent label.  
Do not remove!*