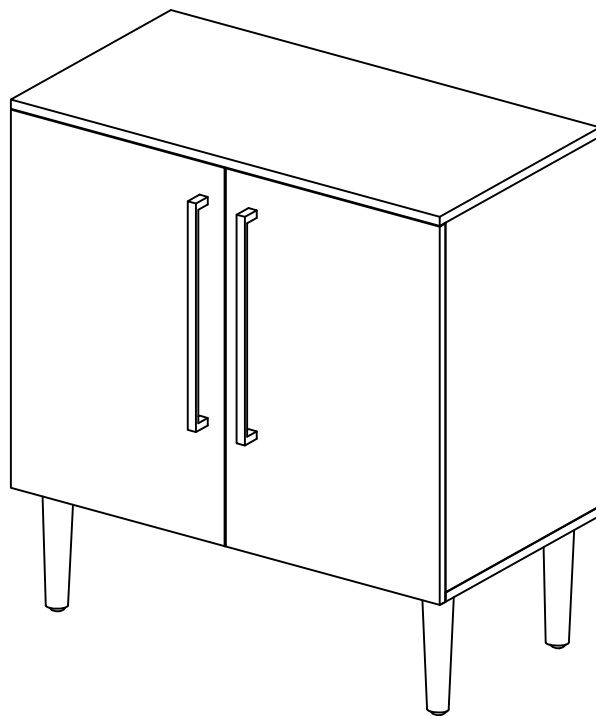


CROSLEY

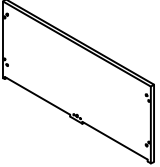
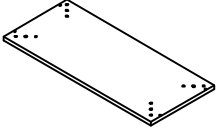
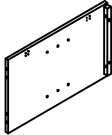
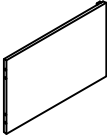
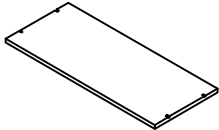
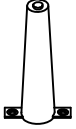
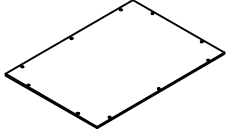
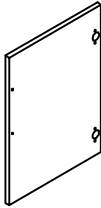
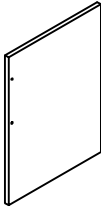
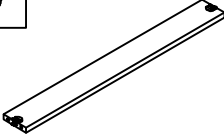
FURNITURE

Console Cabinet

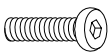
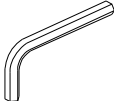


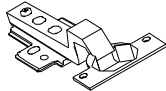
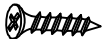
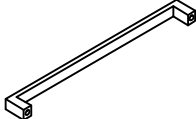
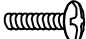
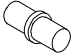


CF6122



PART LIST

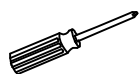
A 	B 	C 	D 	E 
Top Panel 1 PC	Bottom Panel 1 PC	Left Side Panel 1 PC	Right Side Panel 1 PC	Adjustable Shelf 1 PC
F 	G 	H 	I 	J 
Leg 4 PCS	Back Panel 2 PCS	Left Door Panel 1 PC	Right Door Panel 1 PC	Back Connecting Rail 1 PC

HARDWARE LIST

<p>#1</p>  <p>M6 x 13</p>	<p>#2</p>  <p>M4</p>	<p>#3</p>  <p>M8 x 30</p>	<p>#4</p>  <p>M6 x 25</p>	<p>#5</p> 
<p>Short Bolt 8 PCS (Extra 1)</p>	<p>Allen Wrench 1 PC</p>	<p>Wood Dowel 12 PCS (Extra 1)</p>	<p>Long Bolt 8 PCS (Extra 1)</p>	<p>Door Hinge 4 PCS</p>
<p>#6</p>  <p>Ø3.5 x 15</p>	<p>#7</p> 	<p>#8</p>  <p>M4 x 18</p>	<p>#9</p>  <p>Ø8 x 16</p>	<p>#10</p>  <p>Ø7 x 2.5 x 12</p>
<p>Small Screw 24 PCS (Extra 1)</p>	<p>Handle 2 PCS</p>	<p>Round Head Bolt 4 PCS</p>	<p>Shelf Holder 4 PCS (Extra 1)</p>	<p>Large Screw 20 PCS (Extra 1)</p>
<p>#11</p>  <p>Safety Strap Kit 1 PC</p>				

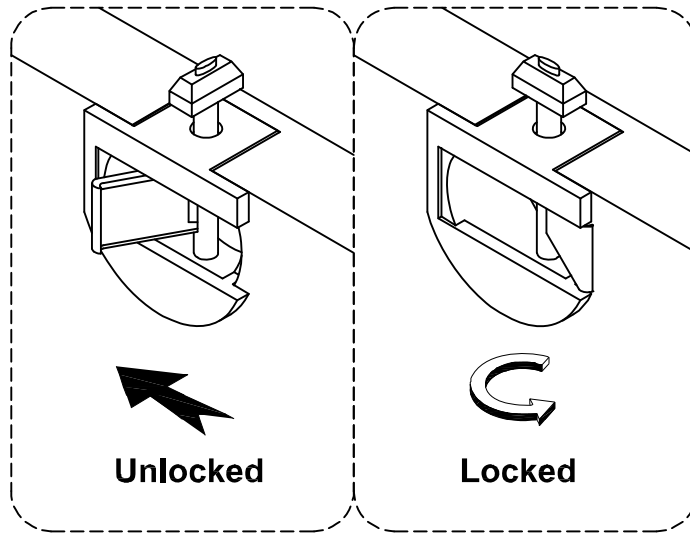
ADDITIONAL TOOLS (Not Provided)

Note: It is not recommended to use power tools during assembly.



Phillips Head Screwdriver

Please do not use tools to assemble this unit unless specifically indicated.

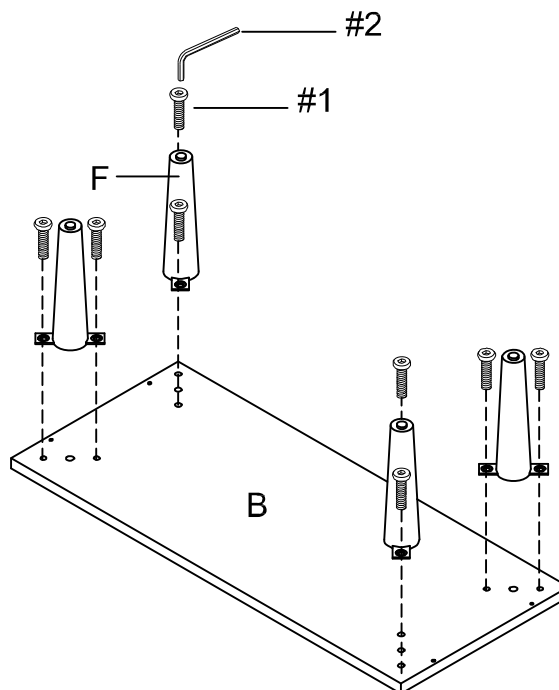




Reference the images above any time the instructions state "lock the hardware".

Note: Be sure to check all hardware is locked when completed.

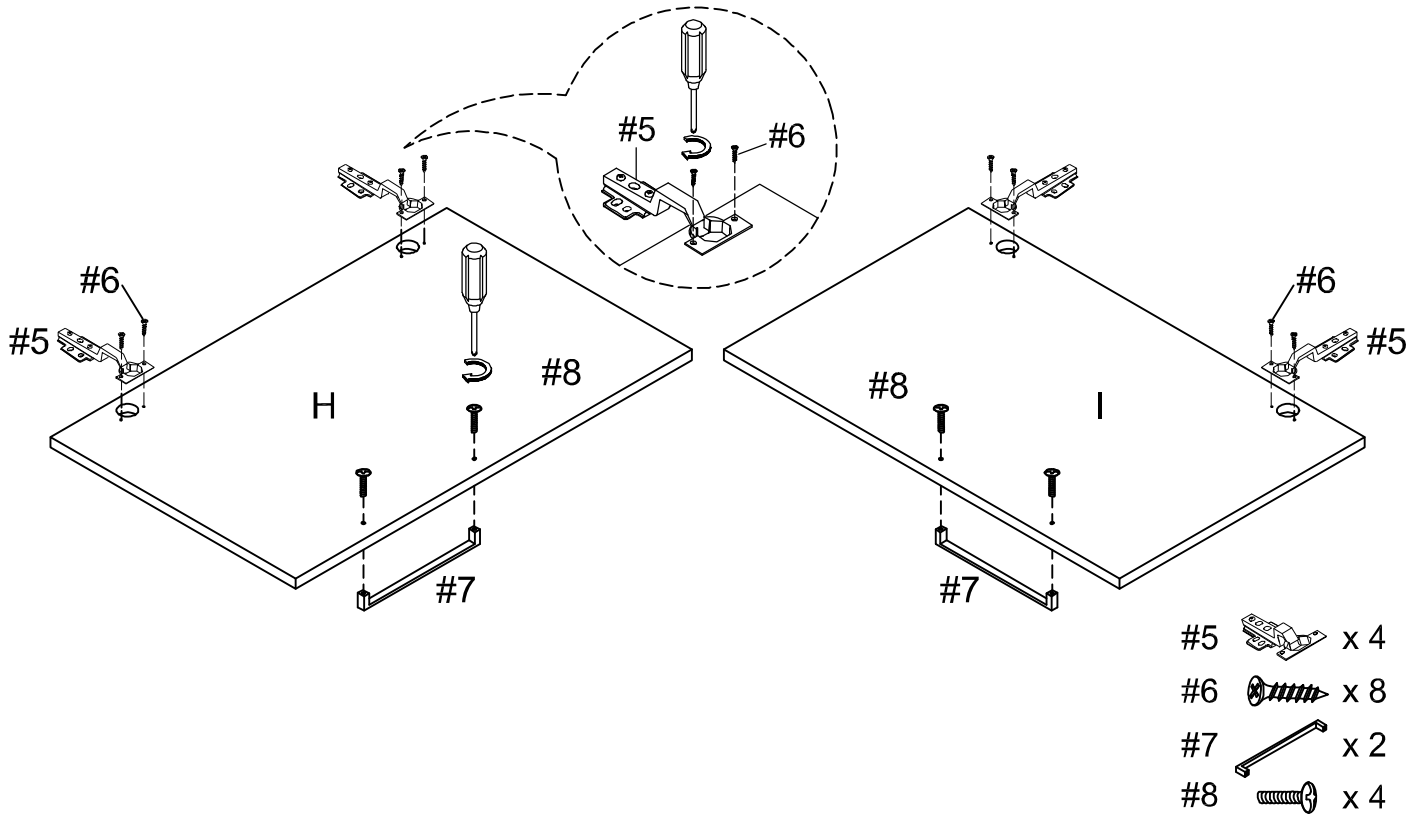
Note: Wood dowels are intended for alignment. Additional clearance between wood dowel and pre-drilled hole is intentional for ease of assembly.

Step 1. Lay bottom panel (part B) upside down on a soft surface, such as carpet, as shown below. Attach legs (part F) to bottom panel (part B) using short bolts (part #1) and allen wrench (part #2).

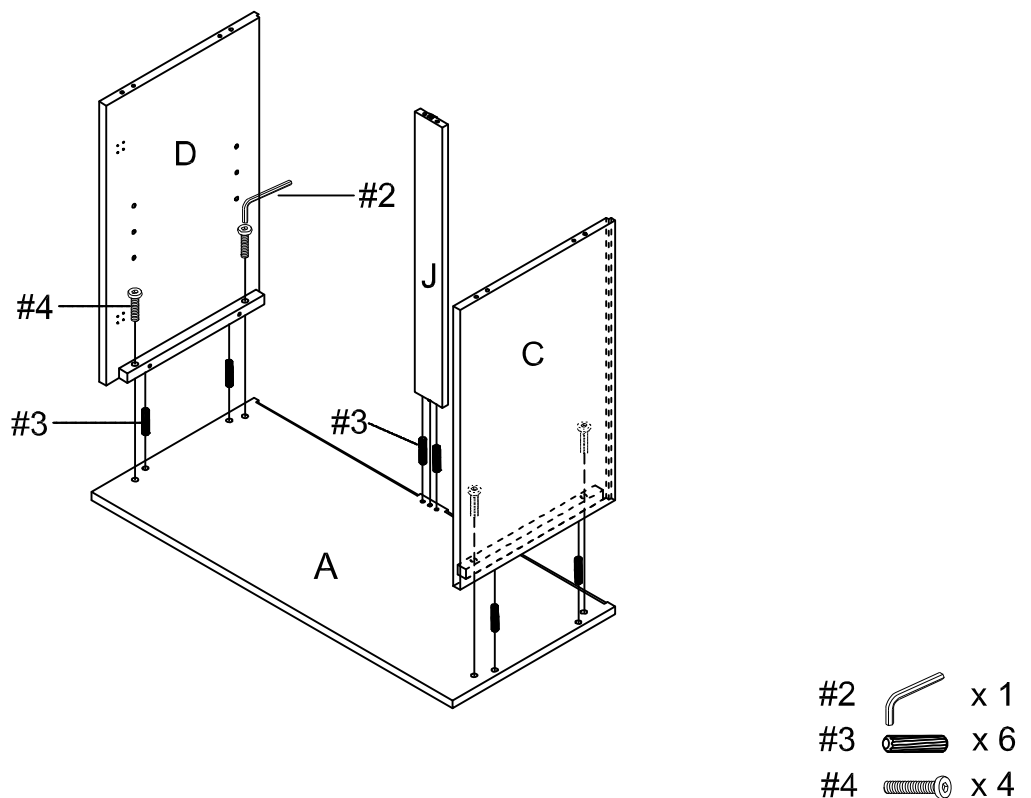


#1  x 8
#2  x 1

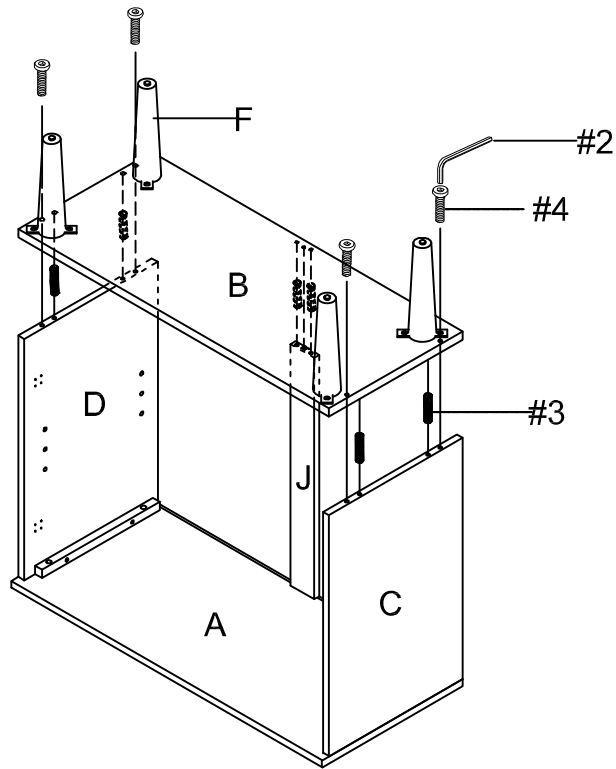
Step 2. Attach door hinges (part #5) to left door panel (part H) and right door panel (part I) using small screws (part #6) and phillips head screwdriver. Attach handles (part #7) to left door panel (part H) and right door panel (part I) using round head bolts (part #8) and phillips head screwdriver.






Step 3. Attach left side panel (part C) and right side panel (part D) to top panel (part A) using allen wrench (part #2), wood dowels (part #3) and long bolts (part 4). Attach back connecting rail (part J) to top panel (part A) using wood dowels (part #3) and lock the hardware.

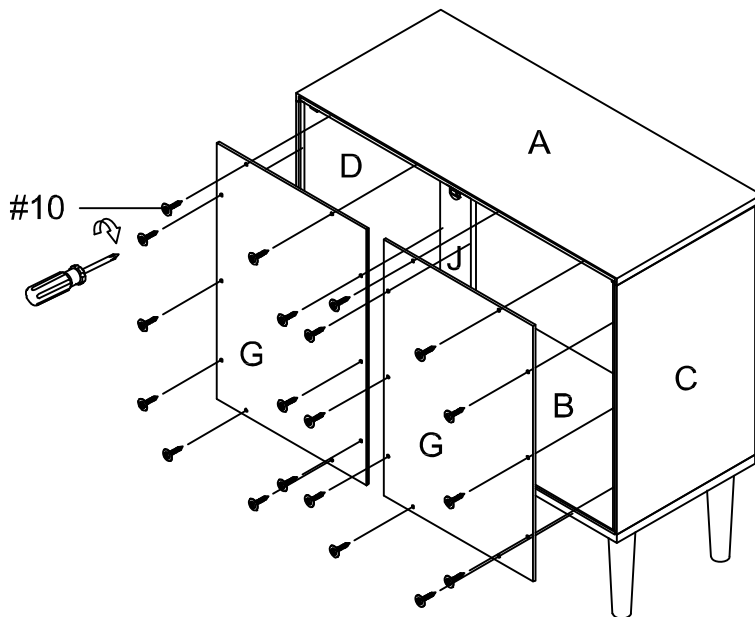


Step 4. Attach assembled unit (parts B & F) to assembled unit (parts A, C, D & J) using allen wrench (part #2), wood dowels (part #3), long bolts (part #4) and lock the hardware.



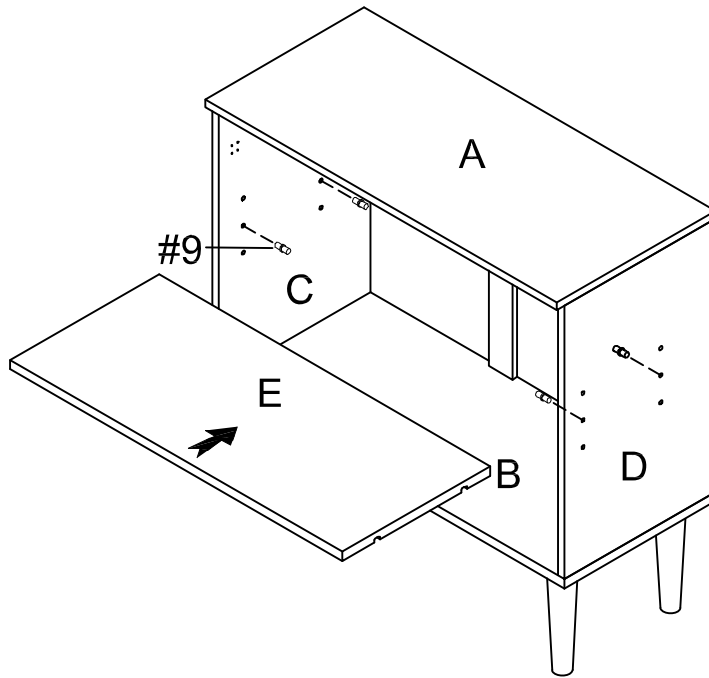
- #2  x 1
- #3  x 6
- #4  x 4

Step 5. Carefully turn unit upright. Attach back panels (part G) to assembled unit (parts A, B, C, D & J) using large screws (part #10) and phillips head screwdriver.



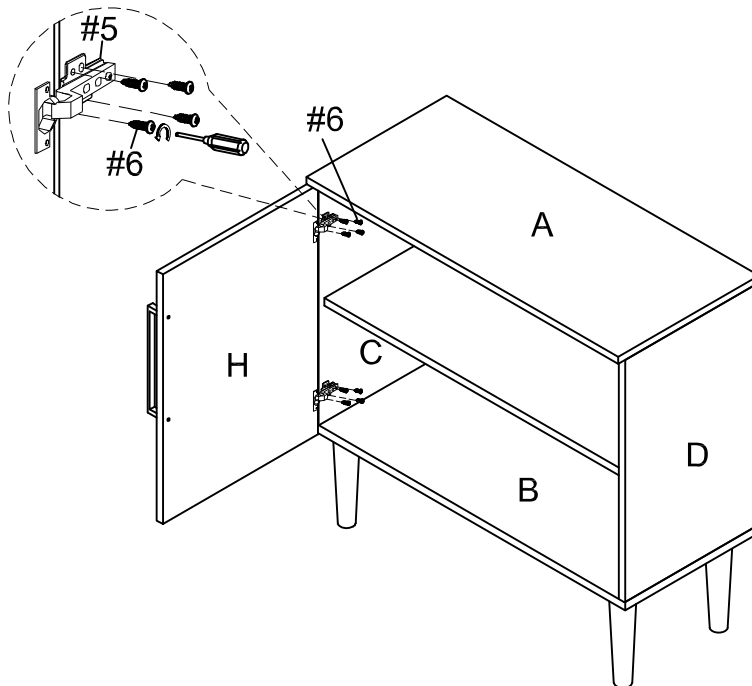
- #10  x 20

Step 6. Insert shelf holders (part #9) into desired position on left side panel (part C) and right side panel (part D). Slide adjustable shelf (part E) into place.



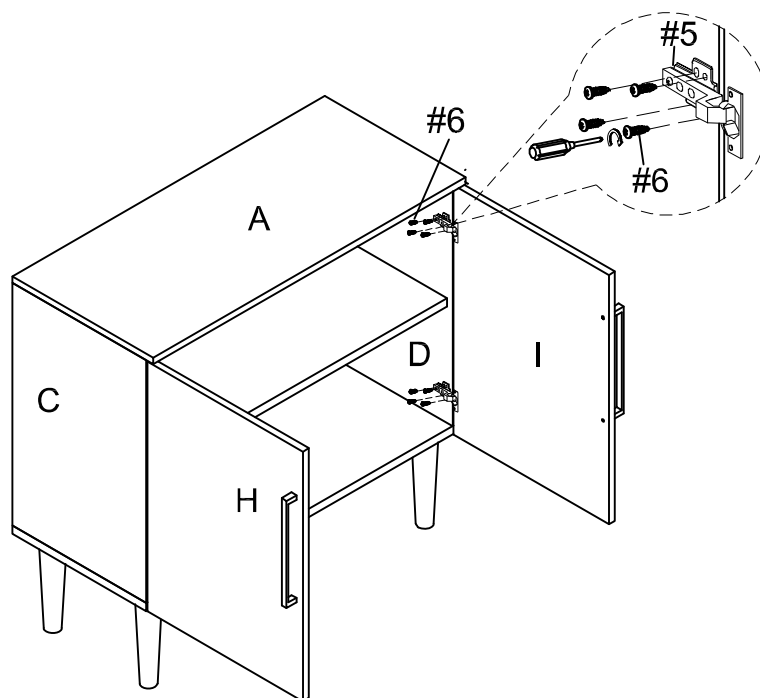
#9  x 4

Step 7. Attach left door panel (part H) to left side panel (part C) using installed door hinges (part #5), small screws (part #6) and phillips head screwdriver.

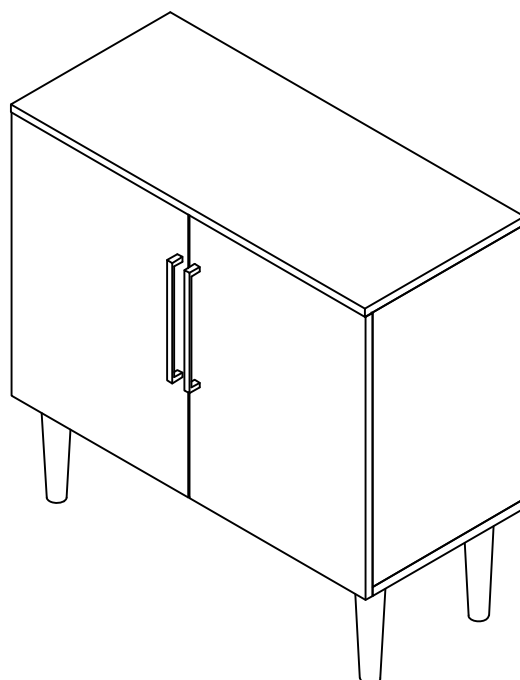



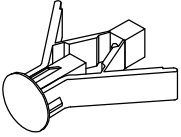



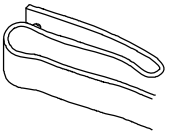
#6  x 8

Step 8. Attach right door panel (part I) to right side panel (part D) using installed door hinges (part #5), small screws (part #6) and phillips head screwdriver.



#6  x 8



#11	A	B	C	D	E
			 D8 x 3/4"	 D8 x 1-1/2"	
Safety Strap Kit 1 PC	Wall Anchor 1 PC	Washer 2 PCS	Short Screw 1 PC	Long Screw 1 PC	Safety Wall Strap 1 PC

SAFETY WALL STRAP INSTALLATION

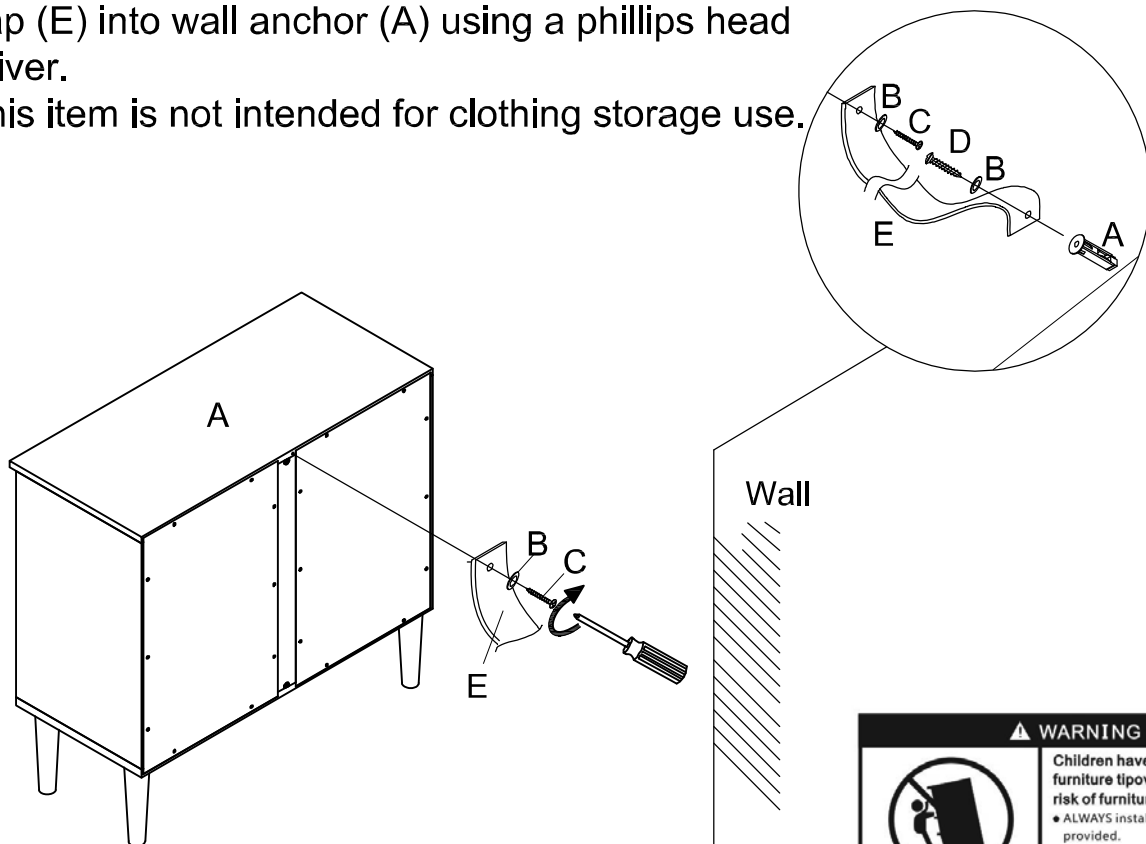
Note: It is highly recommended to install this safety strap kit to prevent tipping, damage and/or injury.

1. Insert short screw (C) through washer (B) and safety wall strap (E) and attach to back of top panel (part A) using phillips head screwdriver.

2. Drill a 11/32"(6mm) hole where you want to secure the unit. The drilled hole will be at the same height as the hole in back of top panel (part A) where safety wall strap (E) is attached. Tap wall anchor (A) into the hole.

3. Insert long screw (D) through washer (B) and safety wall strap (E) into wall anchor (A) using a phillips head screwdriver.

Note: This item is not intended for clothing storage use.

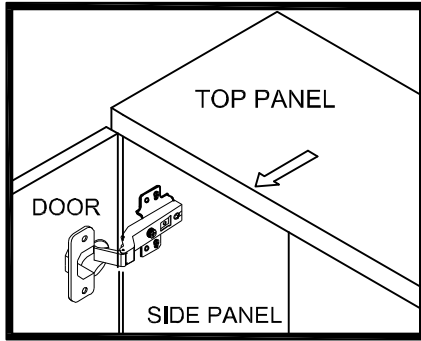


⚠ WARNING	
	<p>Children have died from furniture tipover. To reduce the risk of furniture tipover:</p> <ul style="list-style-type: none"> • ALWAYS install tipover restraint provided. • NEVER put a TV on this product. • NEVER allow children to stand, climb or hang on drawers, doors, or shelves. • NEVER open more than one drawer at a time. • Place heaviest items in the lowest drawers. <p><i>This is a permanent label. Do not remove!</i></p>
	

ADJUST YOUR DOORS TO MAKE THE GAPS MORE EVEN (OPTIONAL).

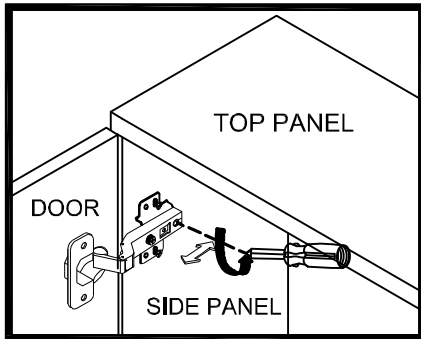
STEP 1

Open the door



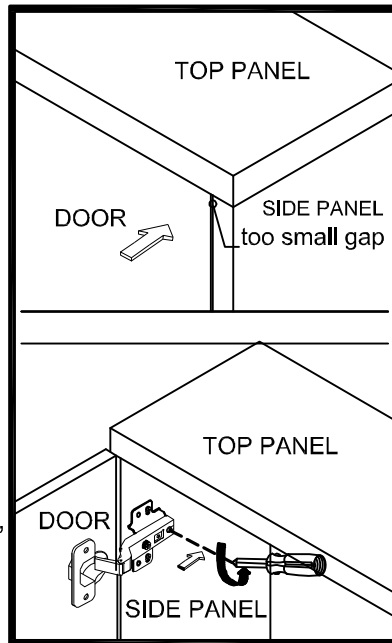
STEP 2

Adjust the gap between door panel and side panel



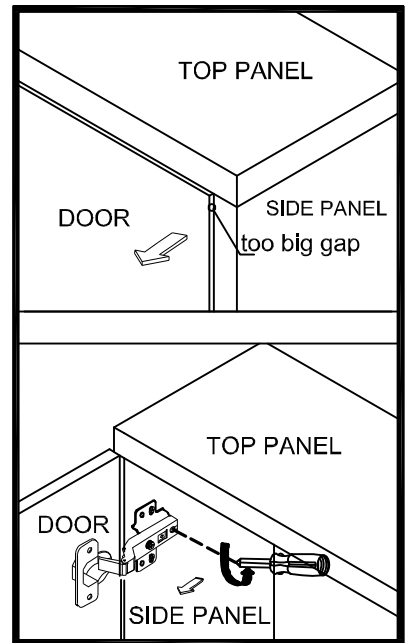
Loosen the screw indicated a little, adjust the hinge to right position (see step 2a & 2b), then tighten the screw.

STEP 2a MOVE DOOR IN



Push the hinge back a little.

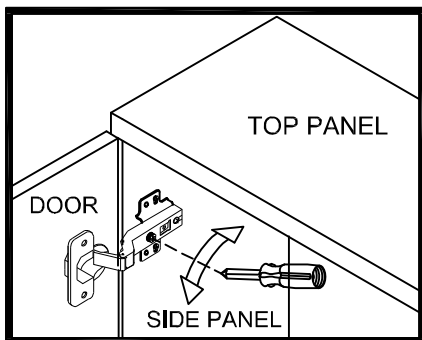
STEP 2b MOVE DOOR OUT



Pull the hinge forward a little.

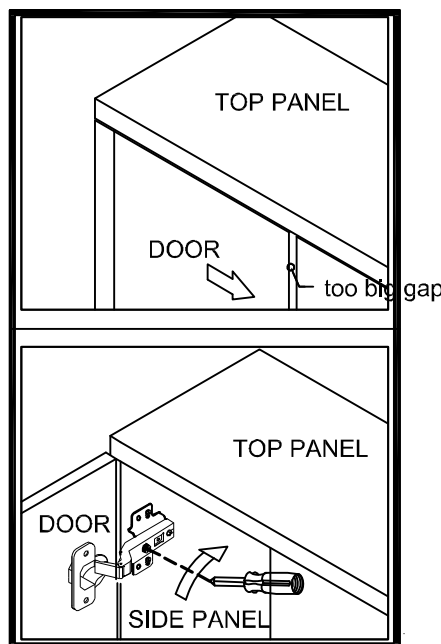
STEP 3

To adjust the gap between two door



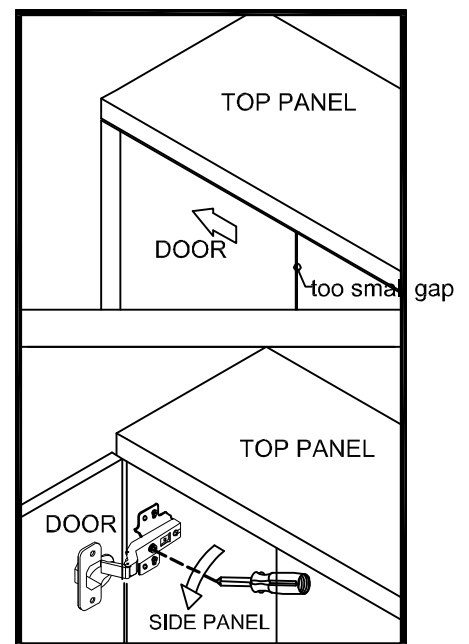
Loosen or tighten the screw indicated a little to adjust the gap between doors panels (see step 3a & step 3b)

STEP 3a MOVE DOOR RIGHT



Turn the screw clockwise a little as shown to make the gap small.

STEP 3b MOVE DOOR LEFT



Turn the screw counterclockwise a little as shown to make the gap big.