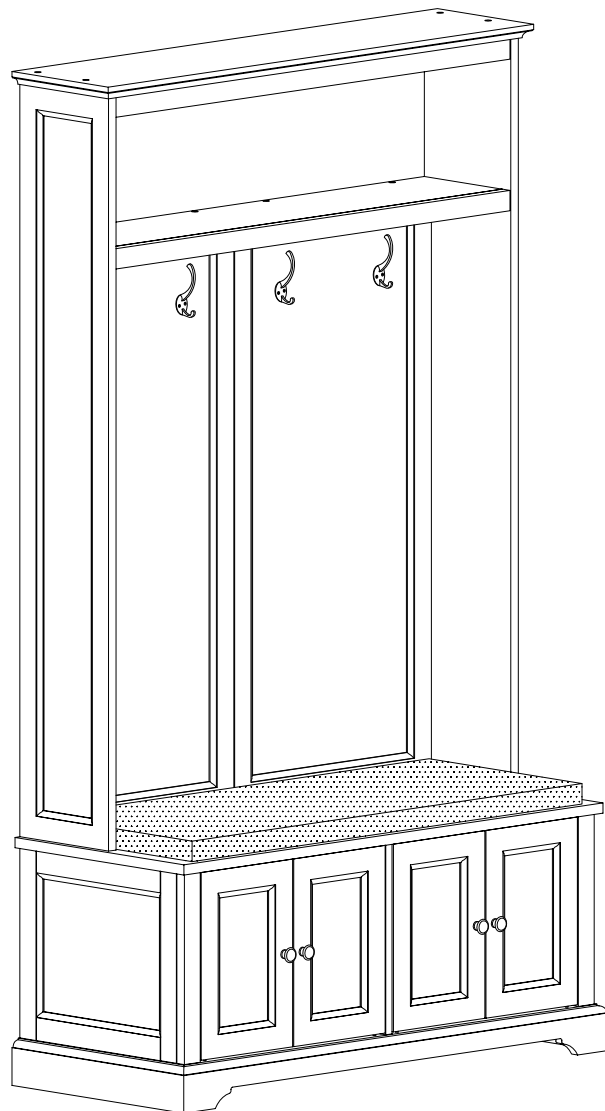
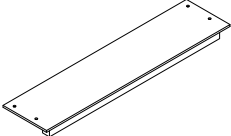
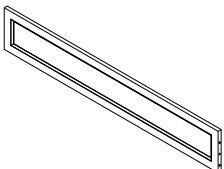
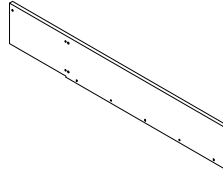
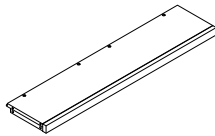
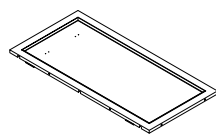
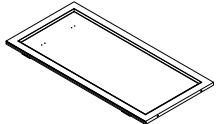
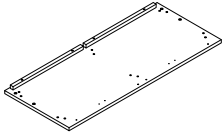
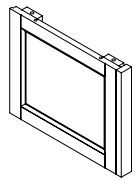
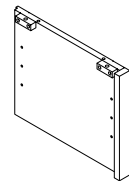
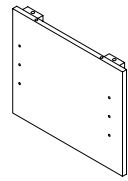
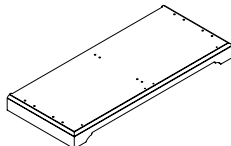
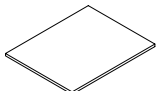
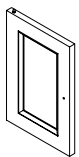
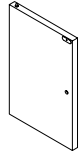
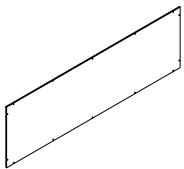
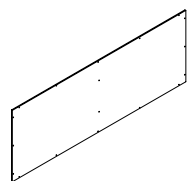
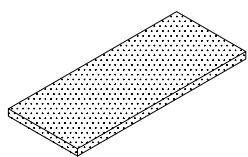


CROSLEY
FURNITURE







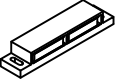







Hall Tree
CF6039



PART LIST

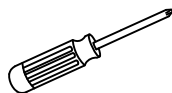
<p>A</p> 	<p>B</p> 	<p>C</p> 	<p>D</p> 	<p>E</p> 
<p>Top Panel 1 PC</p>	<p>Upper Left Panel 1 PC</p>	<p>Upper Right Panel 1 PC</p>	<p>Fixed Shelf 1 PC</p>	<p>Left Back Panel 1 PC</p>
<p>F</p> 	<p>G</p> 	<p>H</p> 	<p>I</p> 	<p>J</p> 
<p>Right Back Panel 1 PC</p>	<p>Middle Top Panel 1 PC</p>	<p>Lower Left Panel 1 PC</p>	<p>Lower Right Panel 1 PC</p>	<p>Middle Panel 1 PC</p>
<p>K</p> 	<p>L</p> 	<p>M</p> 	<p>N</p> 	<p>O</p> 
<p>Bottom Panel 1 PC</p>	<p>Adjustable Shelf 2 PCS</p>	<p>Left Door Panel 2 PCS</p>	<p>Right Door Panel 2 PCS</p>	<p>Upper Back Panel 1 PC</p>
<p>P</p> 	<p>Q</p> 			
<p>Lower Back Panel 1 PC</p>	<p>Cushion 1 PC</p>			

HARDWARE LIST

 $\phi 1/4" \times 1-1/4"$	 $\phi 1/4"$	 $\phi 1/4" \times 16\text{mm}$	 $\phi 8 \times 30\text{mm}$	
Bolt 34 PCS (Extra 1)	Spring Washer 18 PCS (Extra 1)	Flat Washer 18 PCS (Extra 1)	Wood Dowel 24 PCS	Hook 4 PCS
 $\phi 3 \times 14\text{ mm}$	 	 $\phi 3 \times 14\text{mm}$	 	 $\phi 3 \times 14\text{mm}$
Flat Head Screw 8 PCS (Extra 1)	Double Magnet 2 PCS	Round Head Screw 4 PCS	Shelf Holder 8 PCS (Extra 1)	Screw 32 PCS (Extra 1)
 	 $\phi 5/32 \times 19\text{mm}$	 	 	
Knob 4 PCS	Round Head Bolt 4 PCS	Allen Wrench 1 PC	Safety Strap Kit 1 SET	

ADDITIONAL TOOLS (Not Provided)

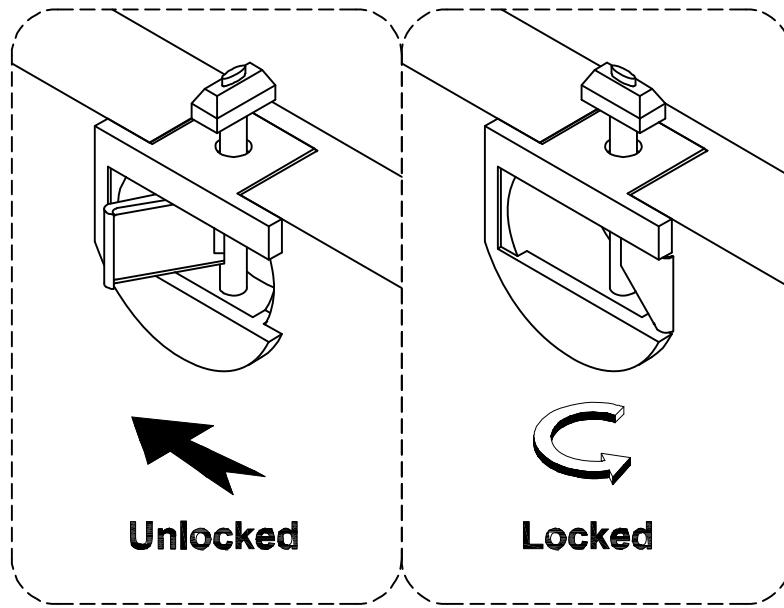
Note: It is not recommended to use power tools during assembly.



Phillips Head Screwdriver

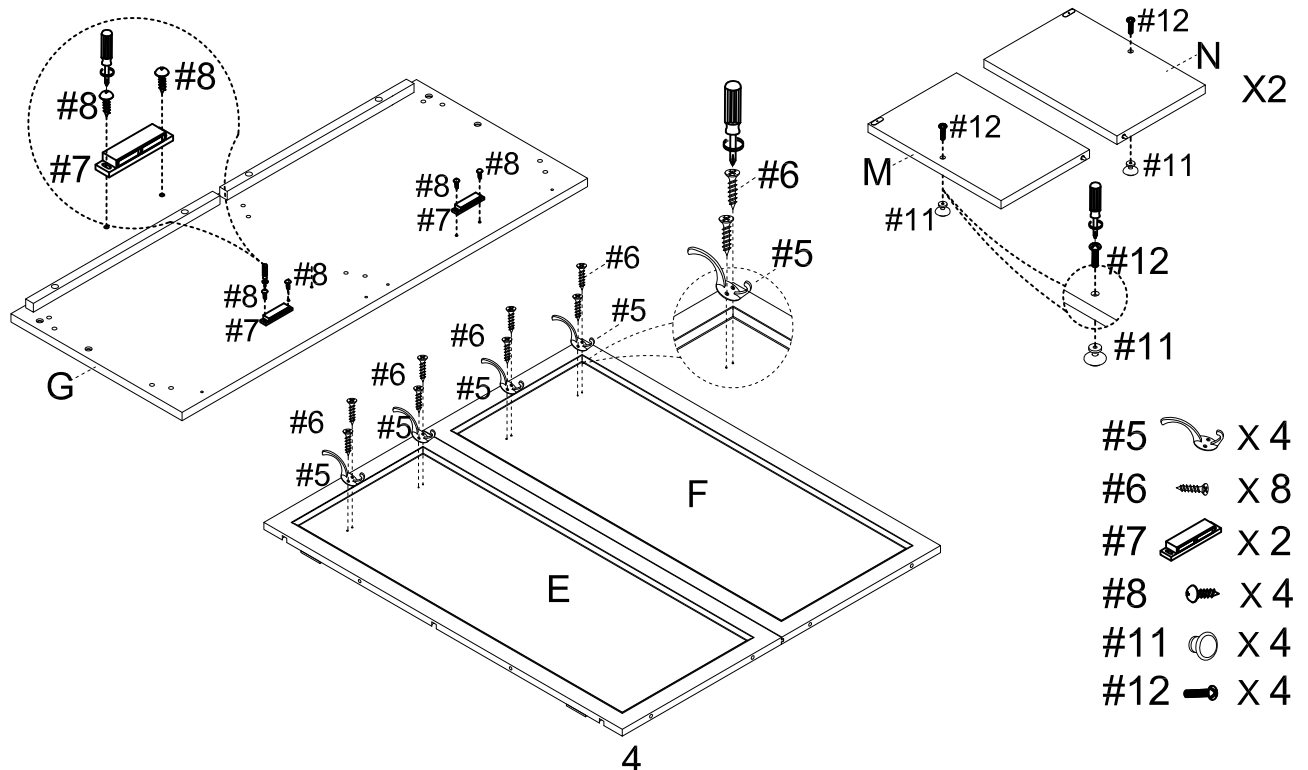
Note: Wood dowels are intended for alignment. Additional clearance between wood dowel and pre-drilled hole is intentional for ease of assembly.

Please do not use tools to assemble this unit unless specifically indicated.

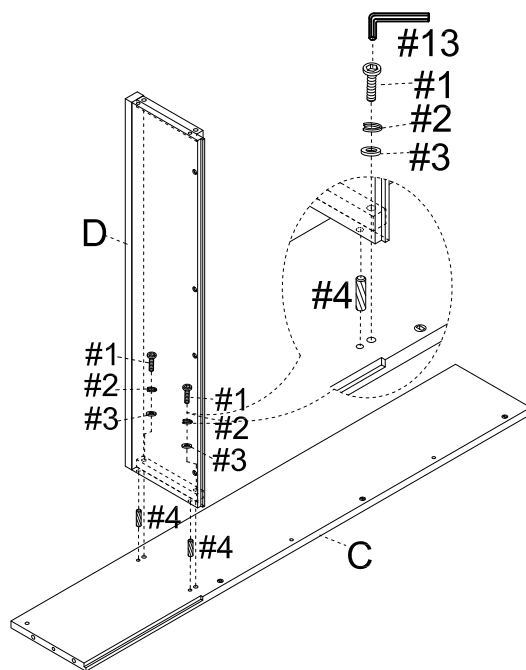







Reference the images above any time the instructions state "lock the hardware"
 Note: Be sure to check all hardware is locked when completed.

Step 1. Attach knobs (part #11) to door panels (parts M & N) using round head bolts (part #12) and phillips head screwdriver. Attach double magnets (part #7) to middle top panel (part G) using round head screws (part #8) and phillips head screwdriver. Attach hooks (part #5) to back panels (parts E & F) using flat head screws (part #6) and phillips head screwdriver.

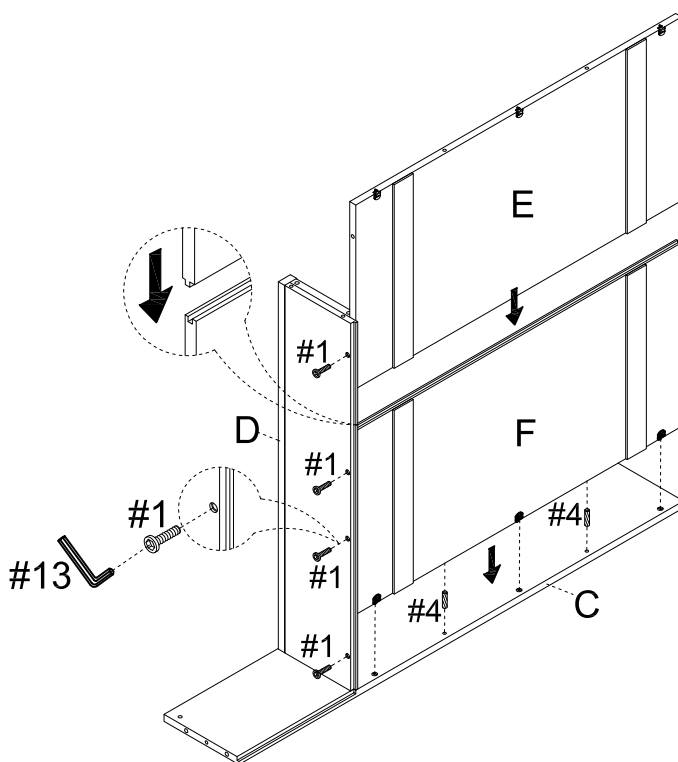





Step 2. Attach fixed shelf (part D) to upper right panel (part C) using wood dowels (part #4), bolts (part #1), spring washers (part #2), flat washers (part #3) and allen wrench (part #13).



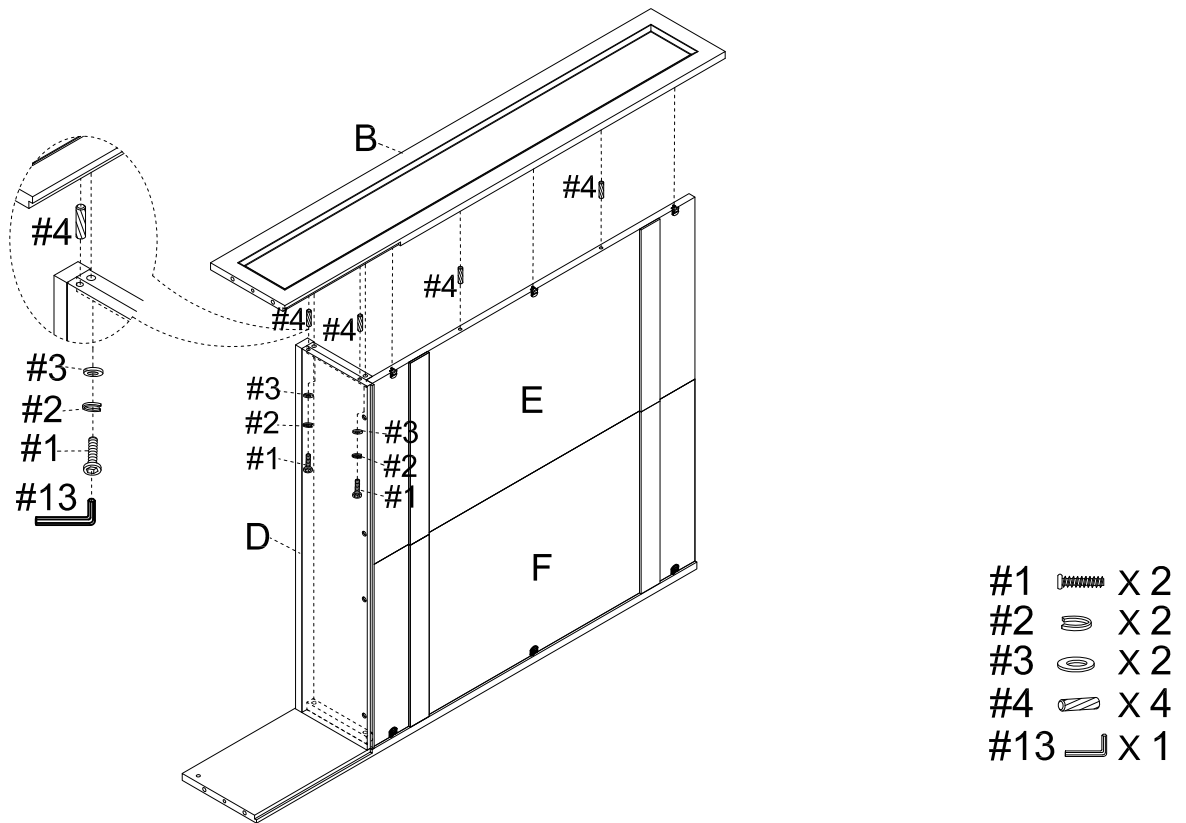
- #1  X 2
- #2  X 2
- #3  X 2
- #4  X 2
- #13  X 1

Step 3. Attach back panels (parts E & F) to assembled unit (parts C & D) using wood dowels (part #4), bolts (part #1), allen wrench (part #13) and lock the hardware.

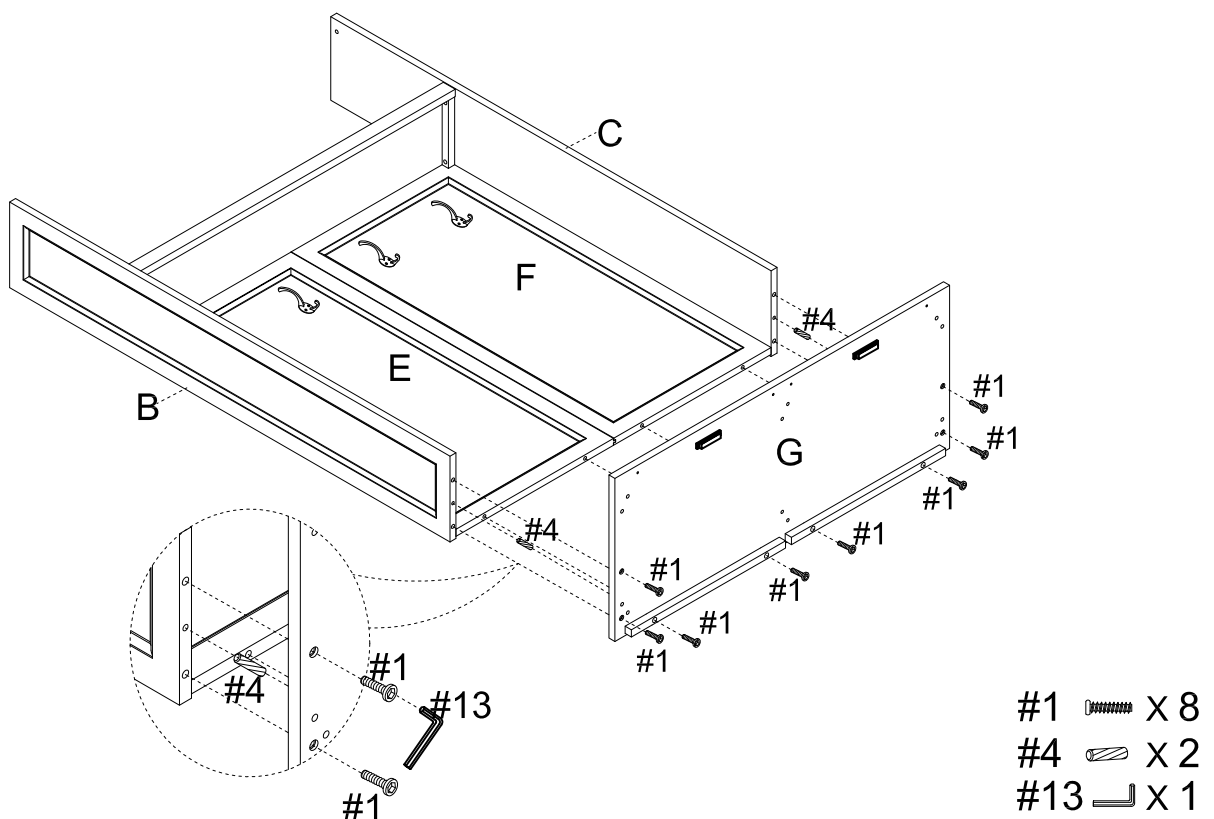


- #1  X 4
- #4  X 2
- #13  X 1

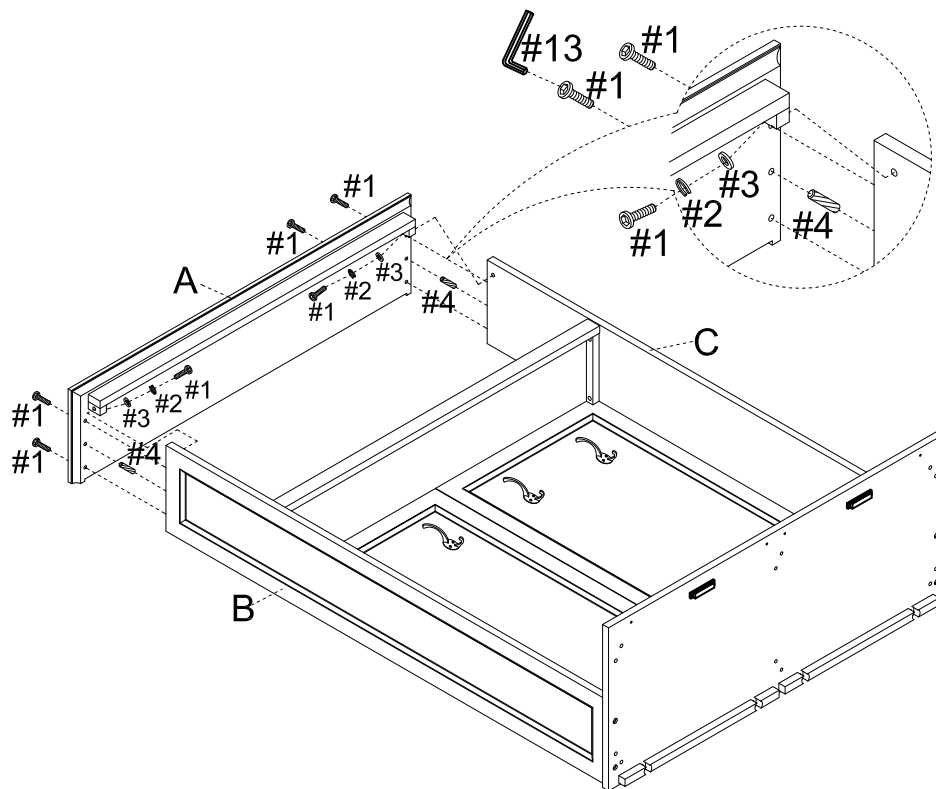
Step 4. Attach upper left panel (part B) to assembled unit (parts D & E) using wood dowels (part #4), bolts (part #1), spring washers (part #2), flat washers (part #3), allen wrench (part #13) and lock the hardware.





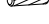


Step 5. Attach middle top panel (part G) to assembled unit (parts B, C, E & F) using wood dowels (part #4), bolts (part #1) and allen wrench (part #13).

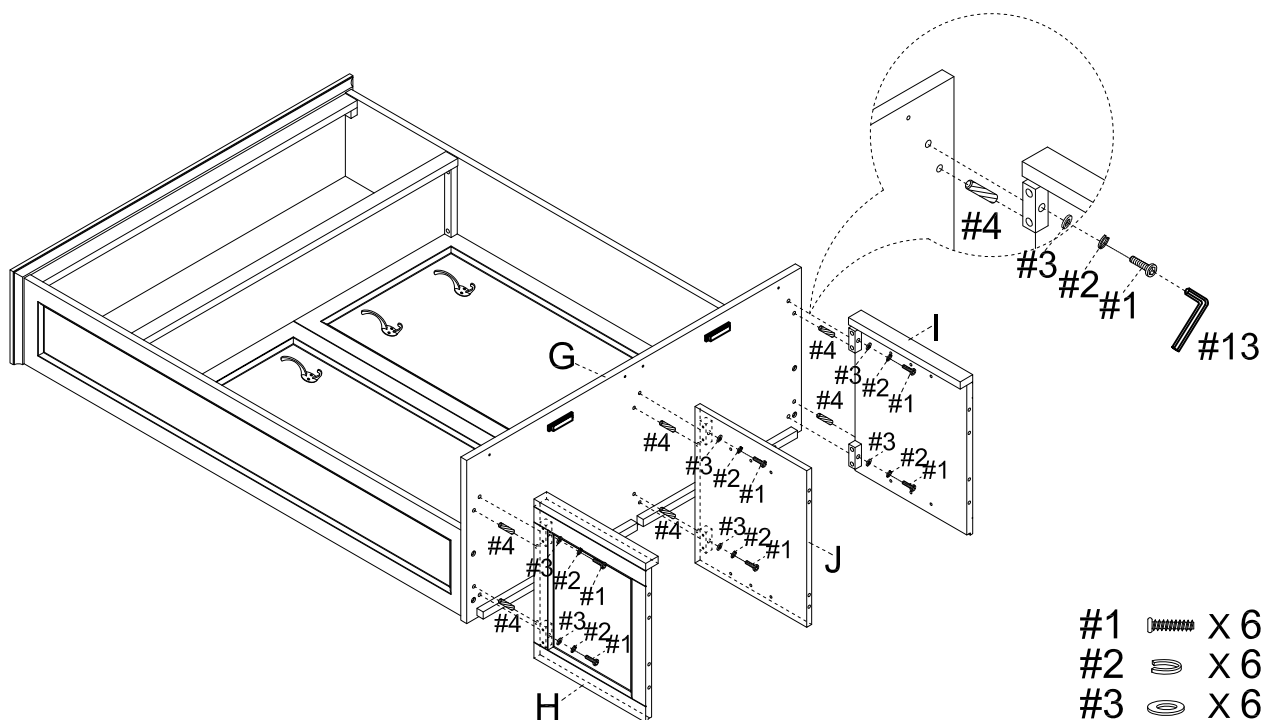







Step 6. Attach top panel (part A) to assembled unit (parts B & C) using wood dowels (part #4), bolts (part #1), spring washers (part #2), flat washers (part #3) and allen wrench (part #13).



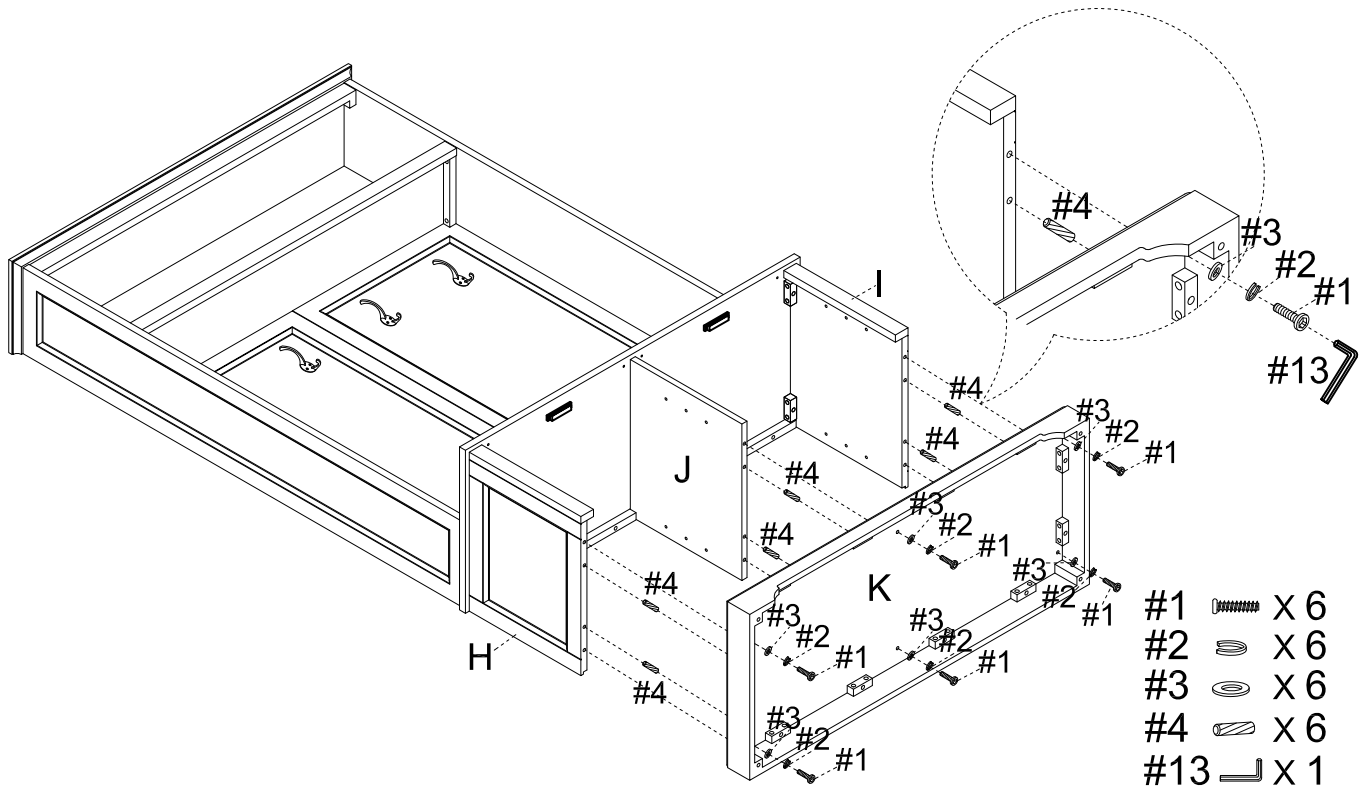
- #1  X 6
- #2  X 2
- #3  X 2
- #4  X 2
- #13  X 1

Step 7. Attach panels (parts H, I & J) to middle top panel (part G) using wood dowels (part #4), bolts (part #1), spring washers (part #2), flat washers (part #3) and allen wrench (part #13).

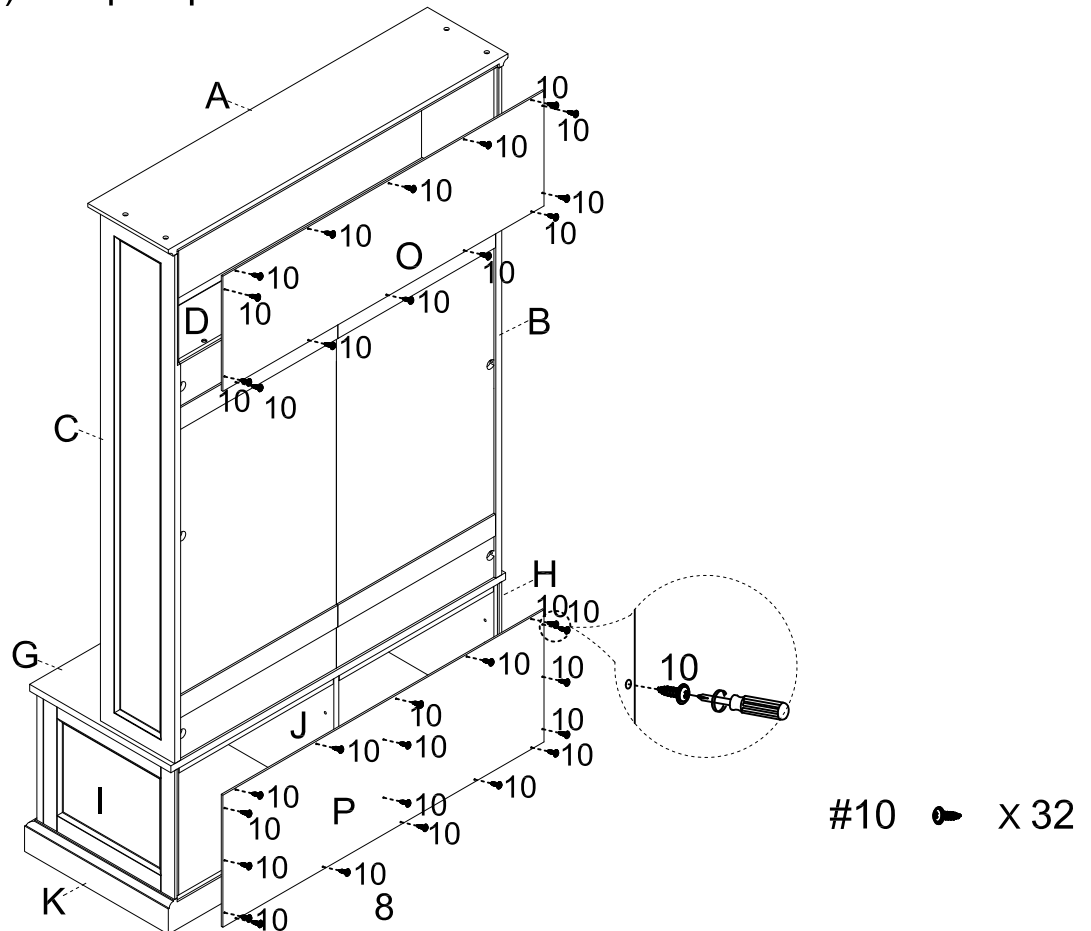


- #1  X 6
- #2  X 6
- #3  X 6
- #4  X 6
- #13  X 1

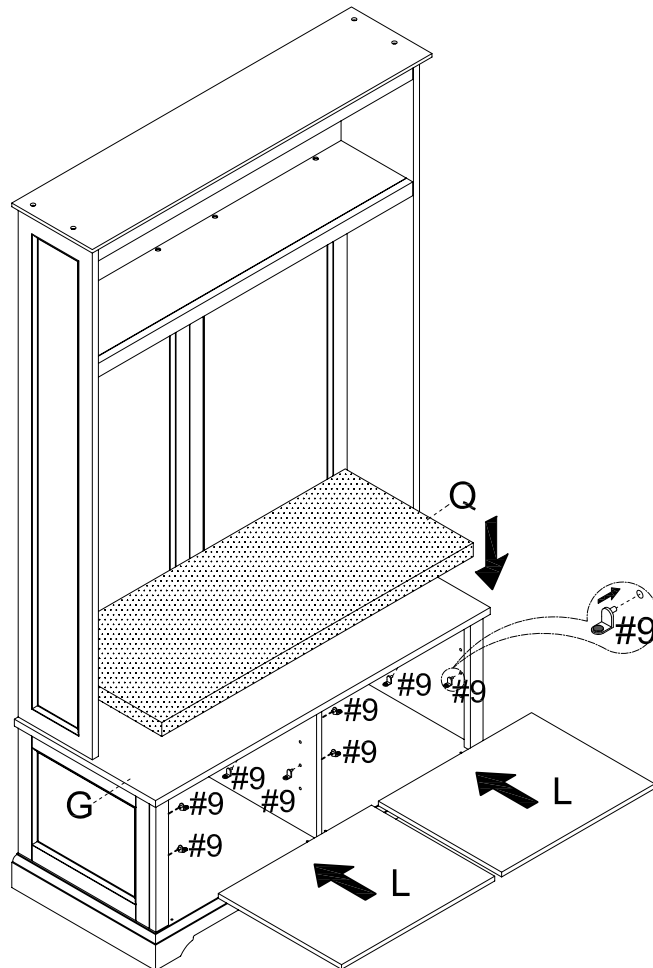
Step 8. Attach bottom panel (part K) to assembled unit (parts H, I & J) using wood dowels (part #4), bolts (part #1), spring washers (part #2), flat washers (part #3) and allen wrench (part #13).



Step 9. Carefully turn unit upright. Attach back panels (parts O & P) to assembled unit (parts A, B, C, D, G, H, I, J & K) using screws (part #10) and phillips head screwdriver.



Step 10. Place shelf holders (part #9) into desired position and slide adjustable shelves (part L) into place.
Place cushion (part Q) onto middle top panel (part G).



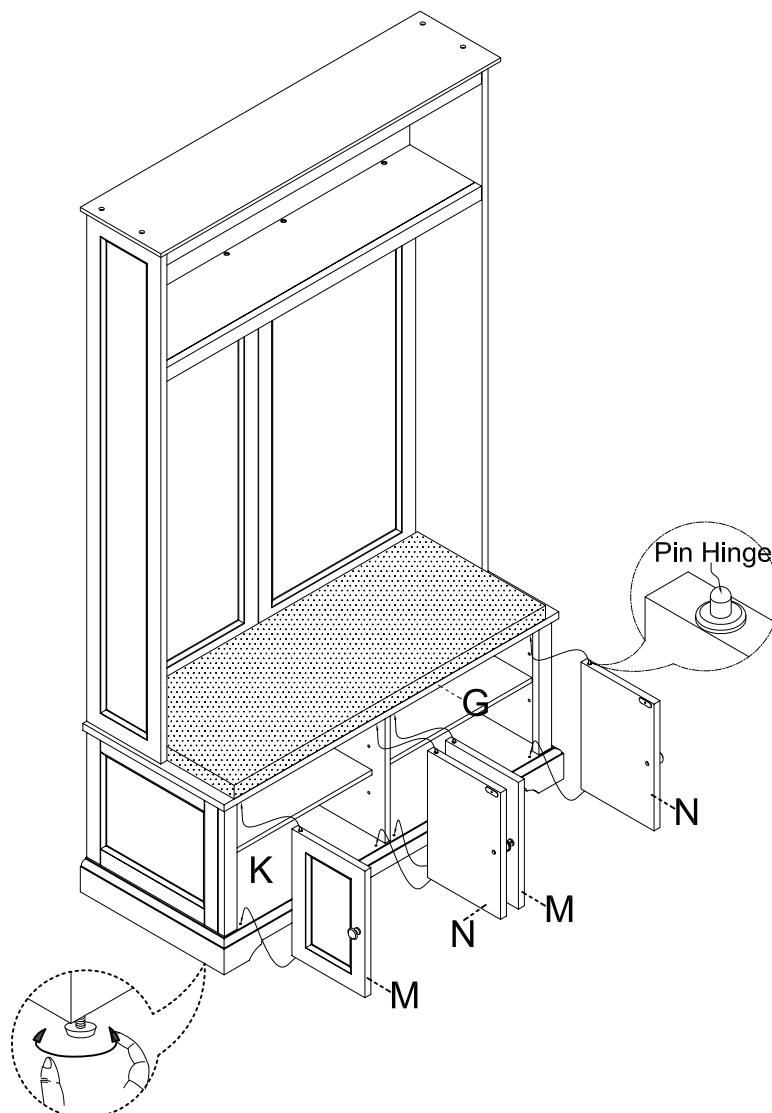
#9  x 8







Step 11. Attach door panels (parts M & N) by placing bottom pin hinge (pre-installed in door) in the pre-drilled hole of bottom panel (part K). Then depress the top spring-loaded pin hinge so it can be placed in the pre-drilled hole of middle top panel (part G).

Note: Be sure top and bottom pin hinges are fully extended to secure doors in place.

Note: It is important to adjust levelers once fully assembled and upright. Extend adjustable leveler until it's firmly in contact with the floor. If relocating, adjust leveler as needed until it's firmly in contact with the floor in new location.

Important: Safety strap kit (part #14) must be installed to prevent tipping, damage and/or injury.



#14	A	B	C	D	E
					
Safety Strap Kit 1 SET	Wall Anchor 1 PC	Bracket 2 PCS	5/8"x φ3xD8 Short Screw 1 PC	1-1/2"x φ4xD8 Long Screw 1 PC	Safety Wall Strap 1 PC

SAFETY WALL STRAP INSTALLATION

Note: It is highly recommended to install this safety strap kit to prevent tipping, damage and/or injury.

1. Insert short screw (C) and safety wall strap (E) through bracket (B) and attach to top panel (part A) using phillips head screwdriver.
2. Drill a 11/32" hole where you want to secure the unit. The drilled hole will be at the same height as the hole in top panel (part A) where bracket (B) is attached. Tap wall anchor (A) into the hole.
3. Insert long screw (D) and safety wall strap (E) through bracket (B) into wall anchor (A) using phillips head screwdriver.

Note: This item is not intended for clothing storage use.

