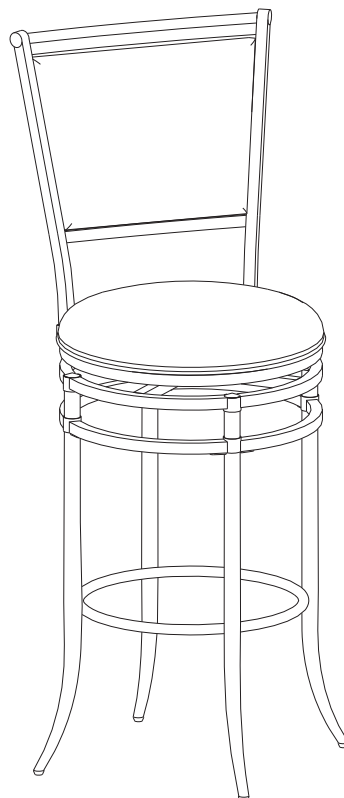
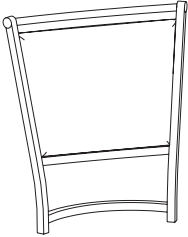
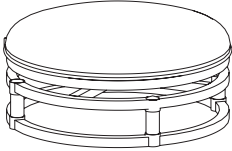






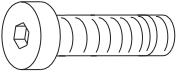
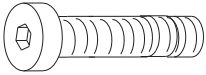
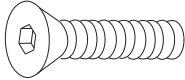
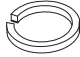
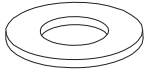
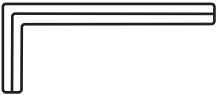
CF520026 Swivel Counter Stool
CF520030 Swivel Bar Stool



PART LIST

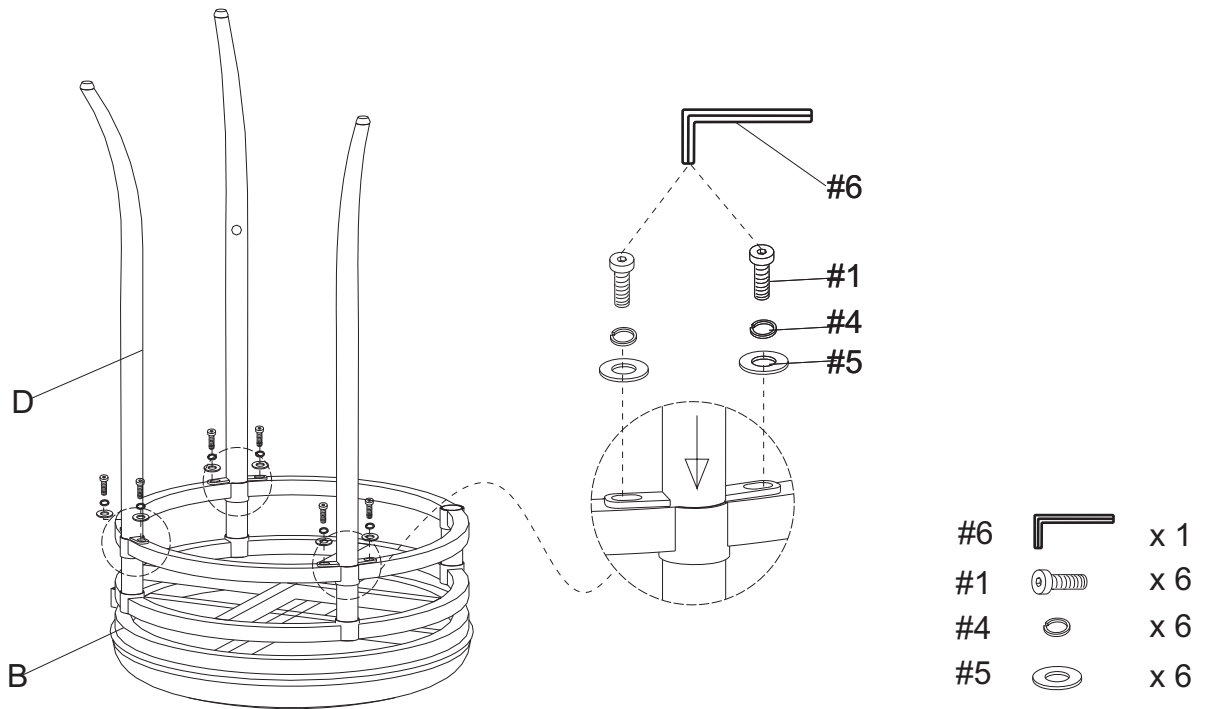
<p>A</p> 	<p>B</p> 	<p>C</p> 	<p>D</p> 
<p>Back 1 PC</p>	<p>Seat 1 PC</p>	<p>Footrest Ring 1 PC</p>	<p>Leg 4 PCS</p>

HARDWARE LIST

<p>#1</p>  <p>1/4"x5/8"L</p>	<p>#2</p>  <p>1/4"x3/4"L</p>	<p>#3</p>  <p>1/4"x1"L</p>	<p>#4</p> 	<p>#5</p> 
<p>Short Bolt 11 PCS(Extra 1)</p>	<p>Medium Bolt 3 PCS(Extra 1)</p>	<p>Long Bolt 5 PCS(Extra 1)</p>	<p>Spring Washer 13 PCS(Extra 1)</p>	<p>Flat Washer 13 PCS(Extra 1)</p>
<p>#6</p>  <p>Allen Wrench 1 PC</p>				

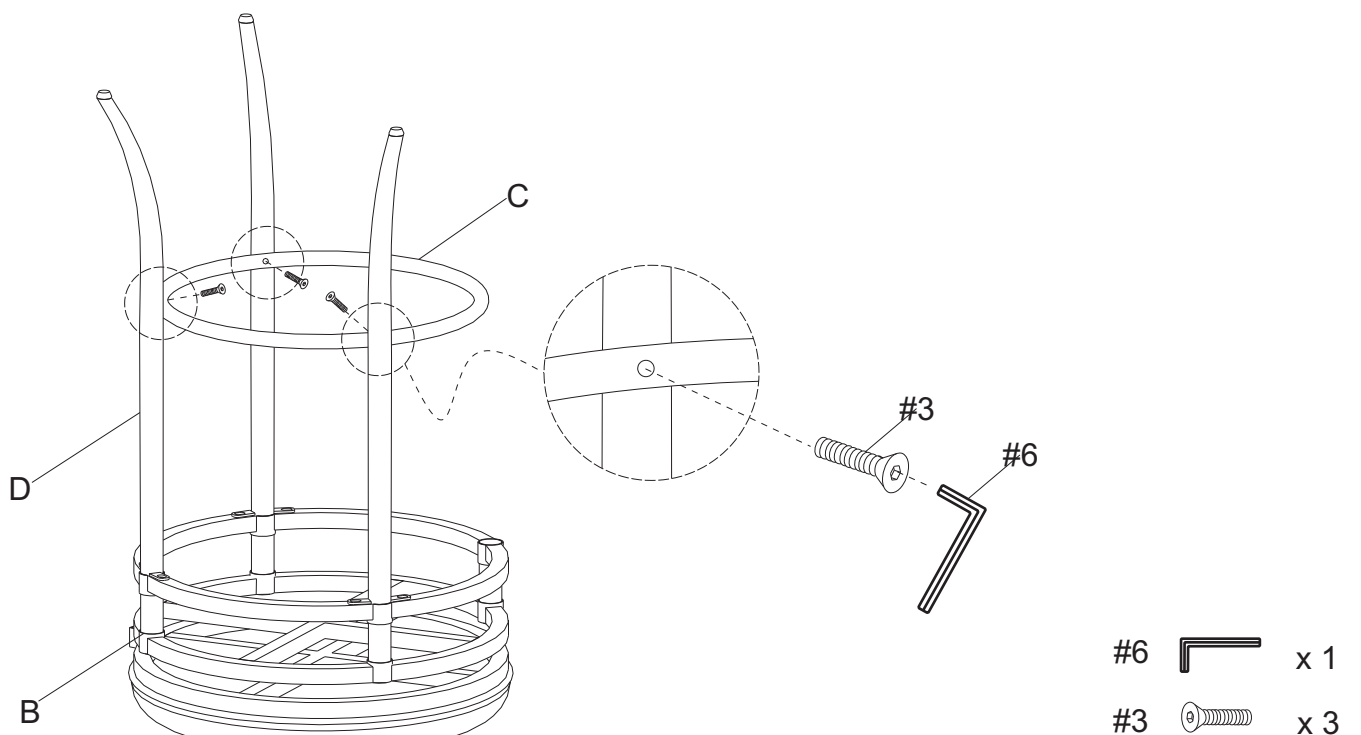
Step 1: Carefully turn seat (part B) upside down on a soft flat surface, such as carpet, as shown below. Attach only 3 legs (part D) to seat (part B) using short bolts (part #1), spring washers (part #4), flat washers (part #5) and allen wrench (part #6).

Note: Please do not fully tighten bolts until unit is fully assembled.



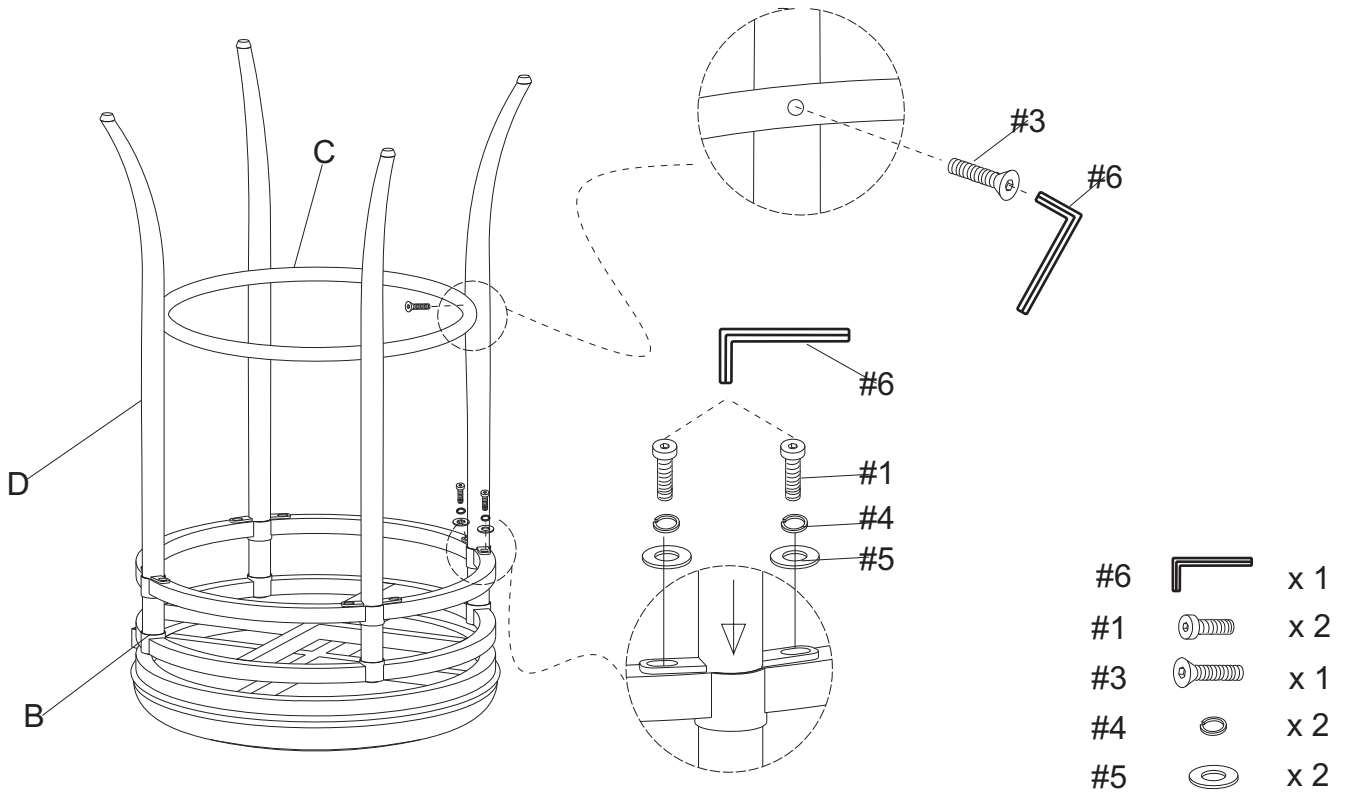
Step 2: Attach footrest ring (part C) to 3 legs (part D) using long bolts (part #3) and allen wrench (part #6).

Note: Please do not fully tighten bolts until unit is fully assembled.



Step 3: Attach remaining leg (part D) to seat (part B) and footrest ring (part C) using short bolts (part #1), long bolt (part #3), spring washers (part #4), flat washers (part #5) and allen wrench(part #6).

Note: Please fully tighten all bolts at this time.



Step 4: Carefully turn the stool over, and attach back (part A) to seat (part B) using short bolts (part #1), medium bolts (part #2), spring washers (part #4), flat washers (part #5) and allen wrench (part #6).

Note: Please fully tighten all bolts at this time.

