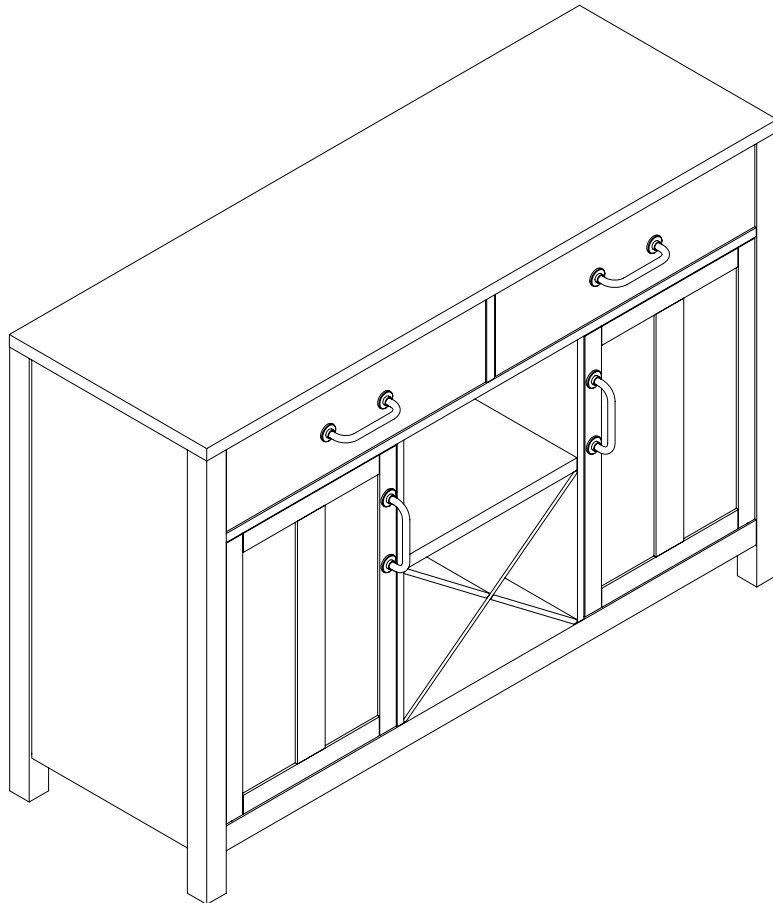
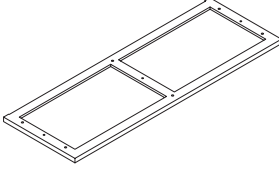
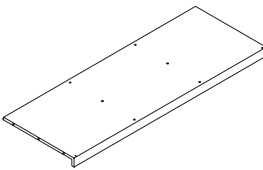
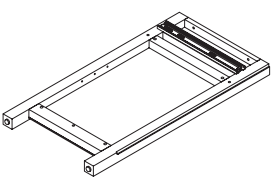
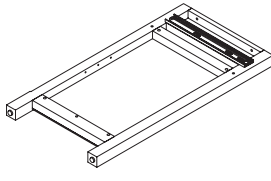
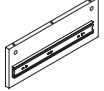
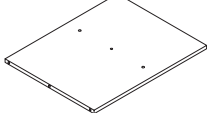
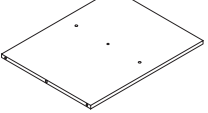
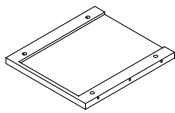
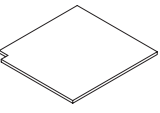
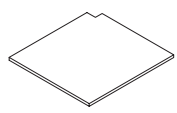
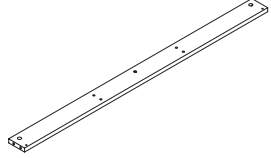
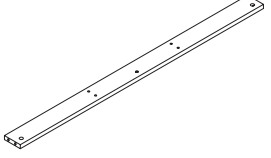
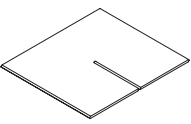
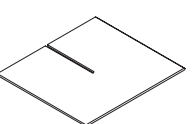
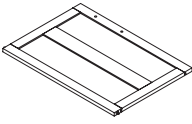
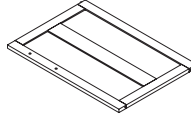
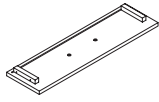

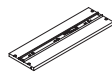
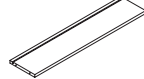
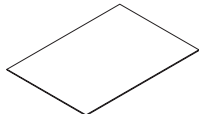
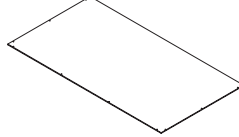
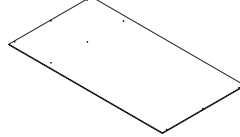






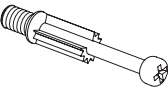
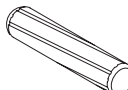
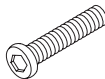
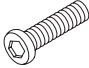
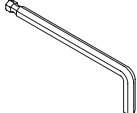


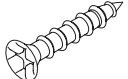
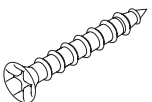
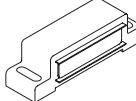
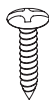
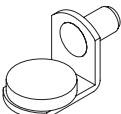

Buffet
CF4202



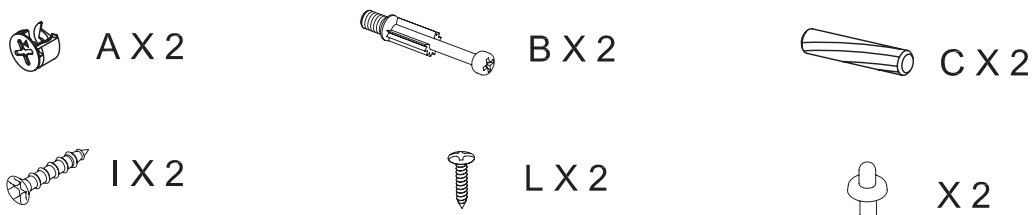
PART LIST

			
Top Panel	Bottom Panel	Left Side Panel	Right Side Panel
1	1pc	2	1pc
			
Upper Partition Panel	Left Partition Panel	Right Partition Panel	Fixed Shelf
5	1pc	6	1pc
			
Left Adjustable shelf	Right Adjustable shelf	Front Rail	Back Rail
9	1pc	10	1pc
			
Left Wine Holder Shelf	Right Wine Holder Shelf	Left Door	Right Door
13	1pc	14	1pc
			
Drawer Front Panel	Drawer Left Side Panel	Drawer Right Side Panel	Drawer Back Panel
17	2pcs	18	2pcs
			
Drawer Bottom Panel	Side Back Panel	Middle Back Panel	Center Support Legs
21	2pcs	22	2pcs
		23	1pc
		24	2pcs

HARDWARE LIST

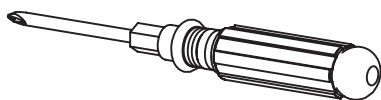
 Cam Lock Ø15*12mm	 Cam Bolt Ø6*42mm	 Wood Dowel Ø8*30mm	 Long Hex Socket Head Bolt Ø6*35mm
A 14pcs	B 14pcs	C 21pcs	D 8pcs
 Short Hex Socket Head Bolt Ø6*28mm	 Allen Key 4mm	 Handle	 Handle Washer
E 8pcs	F 1pc	G 4pcs	H 8pcs
 Short Flat Head Screw Ø3.5*25mm	 Long Flat Head Screw Ø3.5*32mm	 Magnet L45*H12mm	 Round Head Screw Ø3*15mm
I 16pcs	J 2pcs	K 2pcs	L 31pcs
 Shelf Holder Ø6.5mm	 Safety Strap Kit		
M 8pcs	N 1pc		

EXTRA HARDWARE LIST



ADDITIONAL TOOLS (Not Provided)

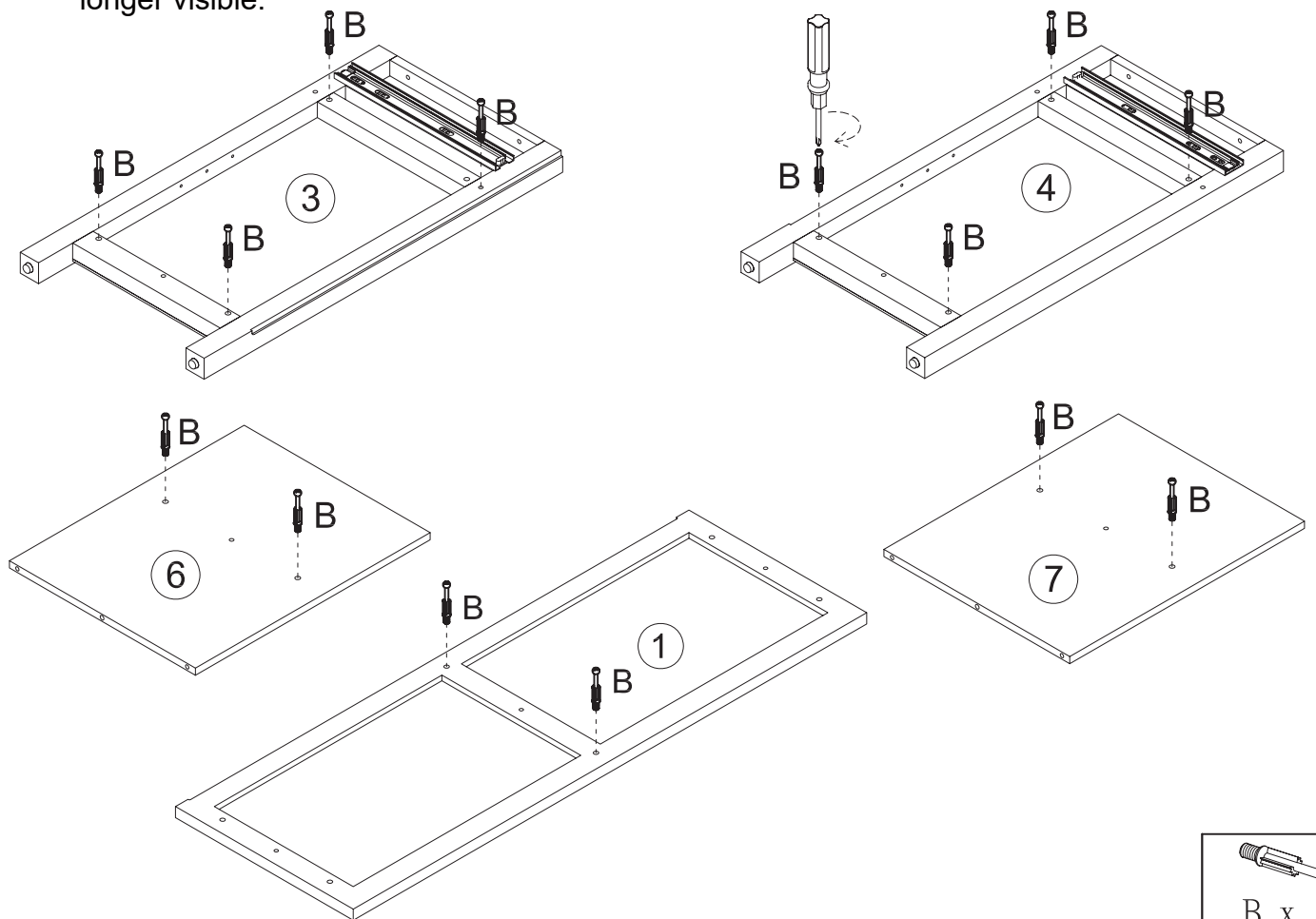
Note: It is not recommended to use power tools during assembly. You may use power tools to assist in mounting the safety strap kit to the wall.



Phillips Head Screw Driver

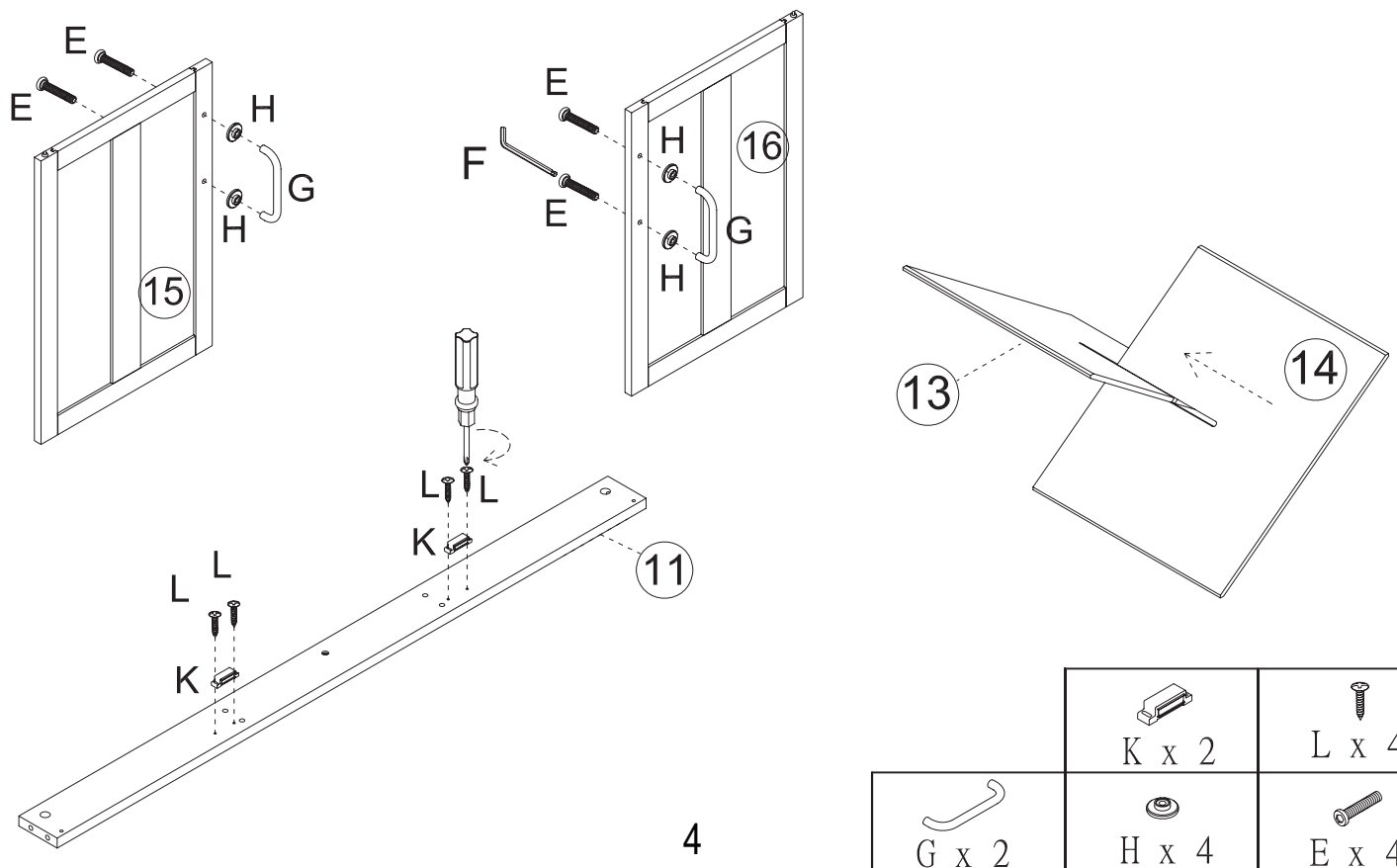
IMPORTANT NOTE: WE RECOMMEND TWO PEOPLE WORK TOGETHER TO ASSEMBLE THE PRODUCT

Step 1. Insert Cam Bolts (B) into pre-drilled holes of parts 1,3,4,6,7 using a Phillips head screw driver as shown. NOTE: Do not overtighten cam bolts. Stop tightening once threads on cam bolt are no longer visible.



Step 2. Attach Handle Washers (H) and Handles (G) to Doors (15 & 16) using Short Hex Socket Head Bolts (E) and Allen Key (F).

Attach Magnets (K) to Front Rail (11) using Round Head Screws (L) as shown. Insert Right Wine Holder Shelf (14) to Left Holder Shelf (13) as shown.



K x 2	L x 4
G x 2	E x 4
	H x 4

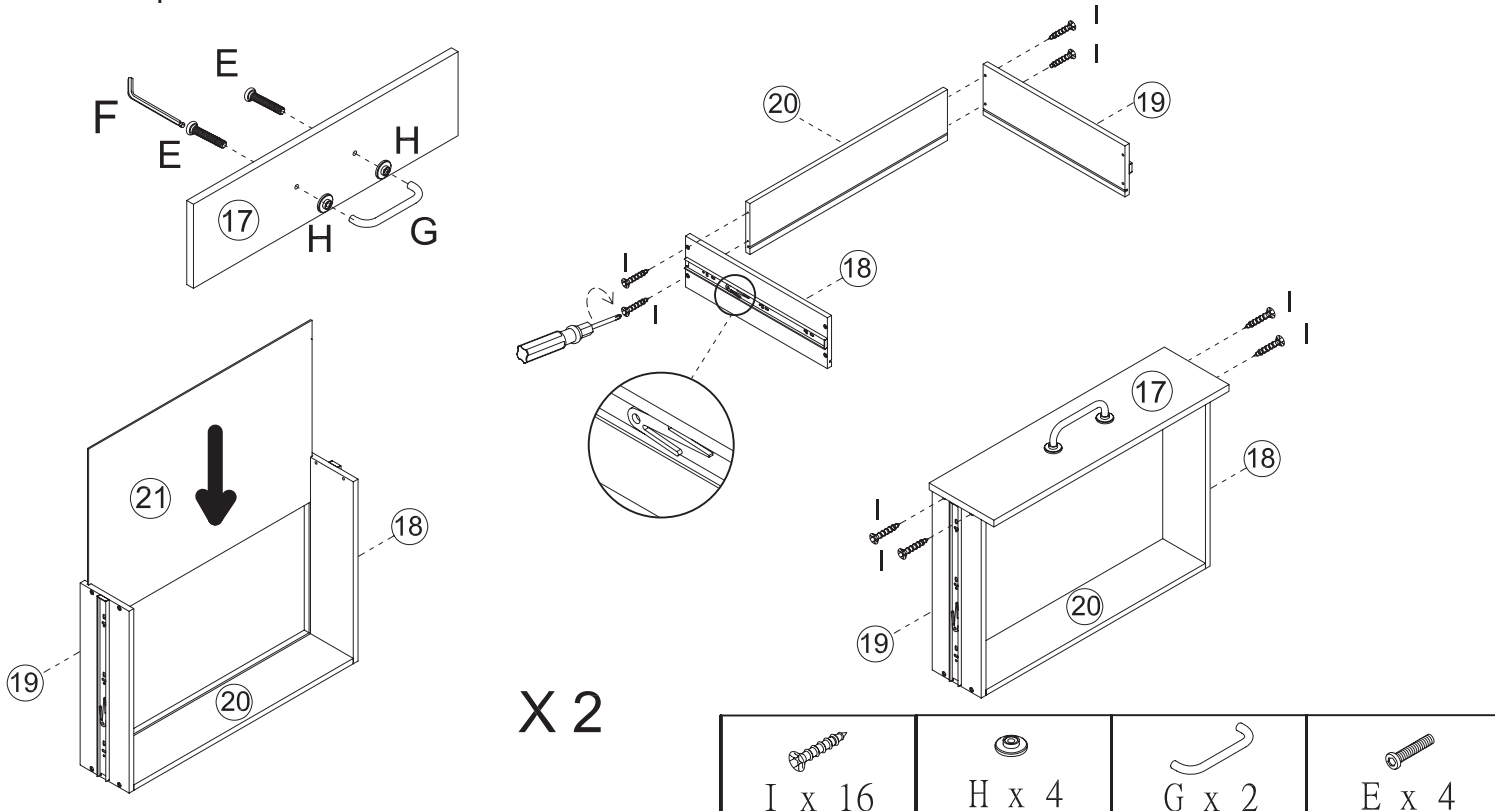
Step 3. Attach Handle Washers (H) and Handles (G) to Drawer Front Panel (17) using Short Hex Socket Head Bolts (E) and Allen Key (F).

Attach Drawer Back Panel (20) to Drawer Side Panels (18 & 19) using Short Flat Head Screws (I).

NOTE: be sure that drawer slide joint are facing outward.

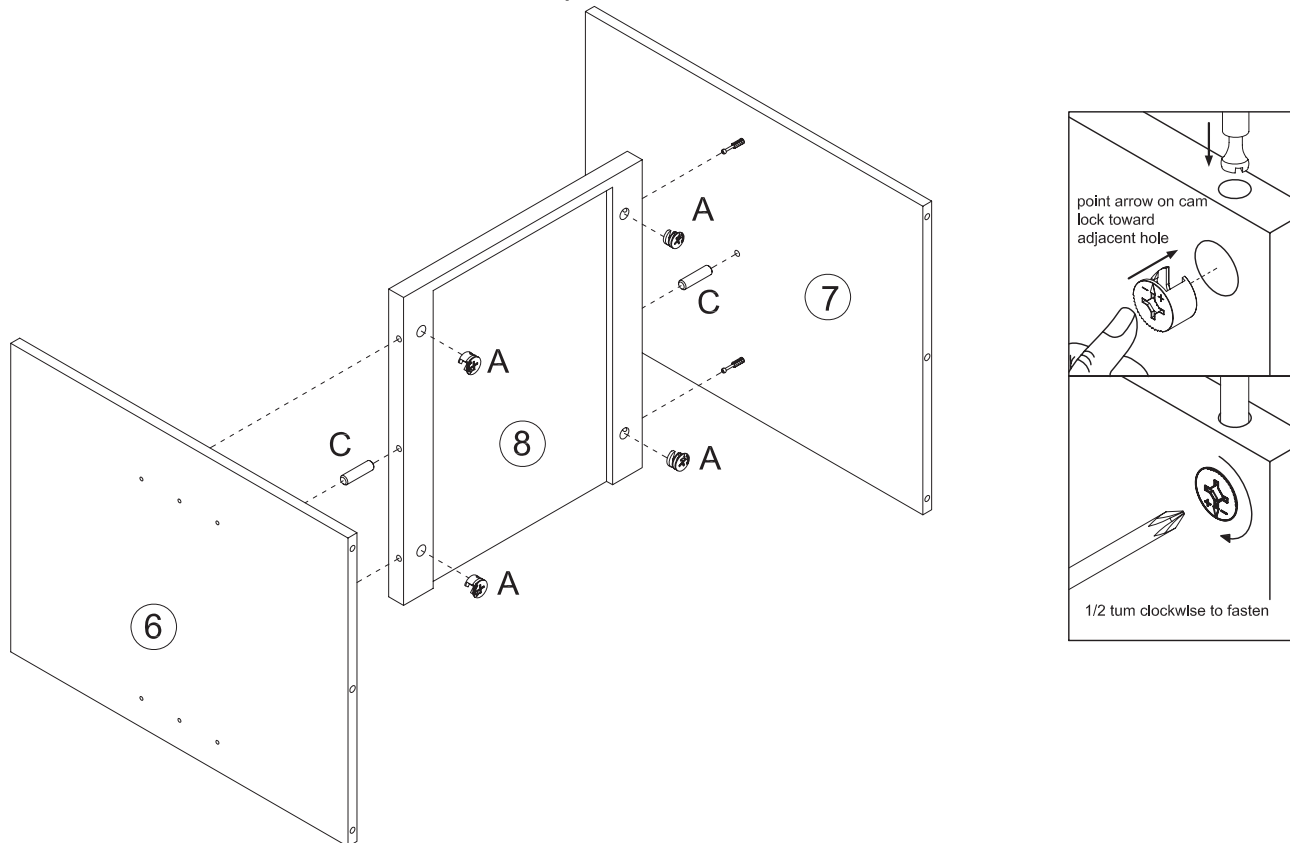
Slide Drawer Bottom Panel (21) into grooves of Drawer Side Panels (18 & 19). Attach Drawer Front Panel (17) to Drawer Side Panels (18 & 19) using Short Flat Head Screws (I).

Repeat for second drawer.



Step 4. Attach Partition Panels (6 & 7) to Fixed Shelf (8) using Wood Dowels (C) and Cam Locks (A) as shown.

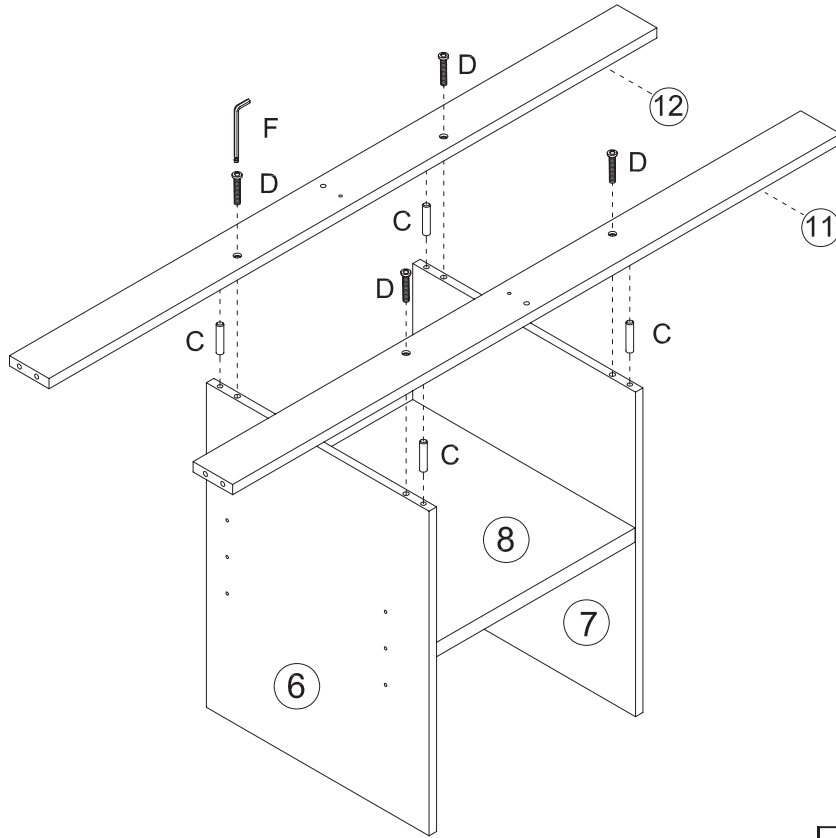
NOTE: Cam locks must rotate full 180°. See pictured insert.



5

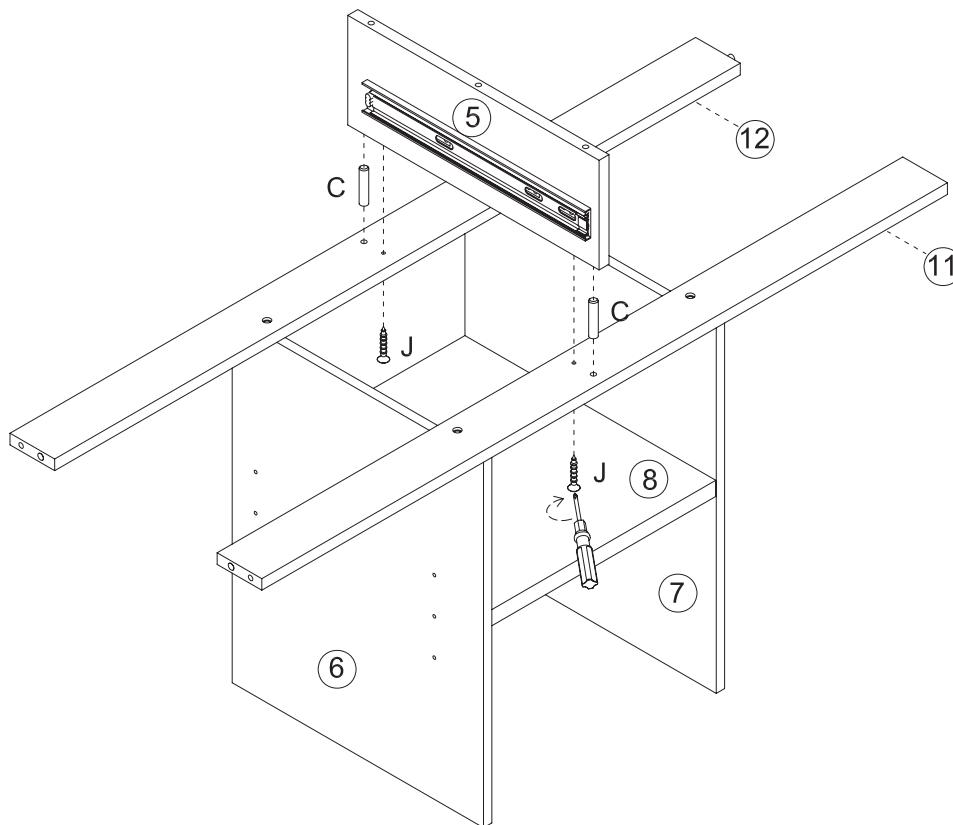


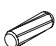

Step 5. Attach Front Rail (11) and Back Rail (12) to assembled parts (6,7& 8) using Wood Dowels (C) Long Hex Socket Head Bolts (D) and Allen Key (F) as shown.



	
C x 4	D x 4

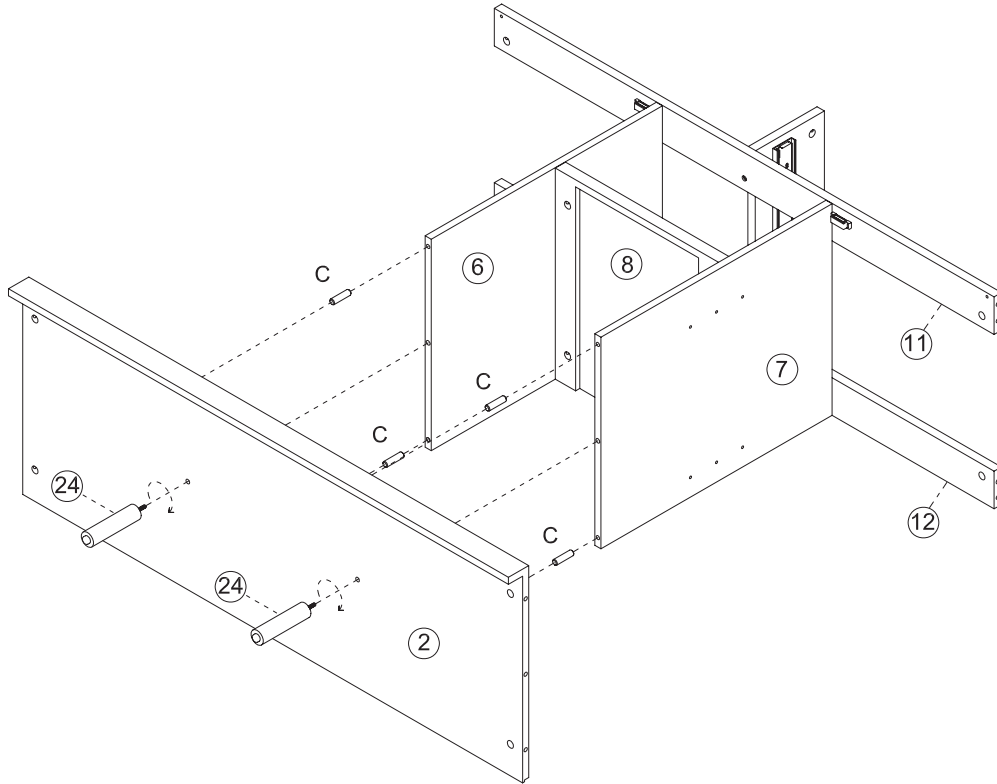
Step 6. Attach Upper Partition Panel (5) to Rails (11&12) using Wood Dowels (C) and Long Flat Head Screws (J) as shown.



	
C x 2	J x 2

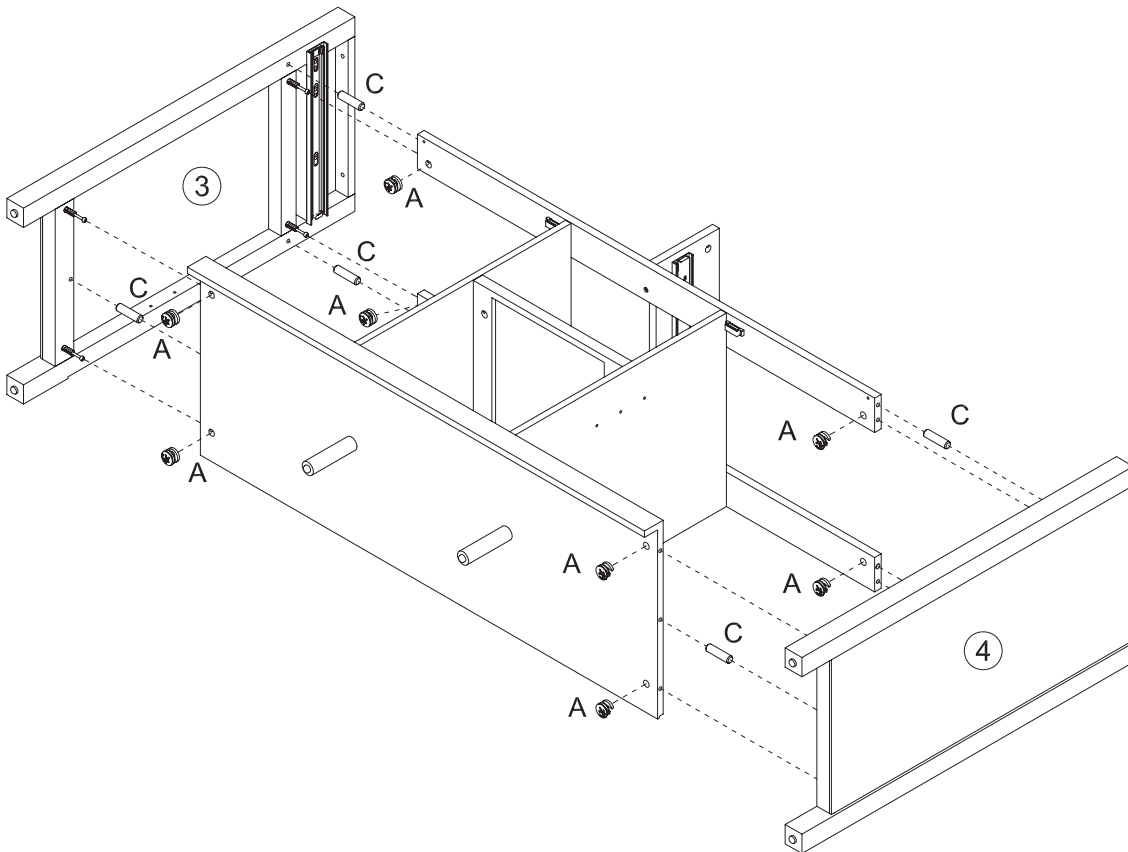
Step 7. Turn assembled parts (6,7,8,11&12) with the side face down. Attach Bottom Panel (2) using Wood Dowels (C) . Attach Center Support Legs (24) by turning clockwise into the pre-drilled holes as shown.

Note: The adjustable leveler on the bottom of the Center Support Legs (24) should not be extended until after installation .Adjust the leveler on the bottom of the Center Support Legs (24) until it fits tightly against the floor .Use of the support leg is important to support the center of the cabinet .



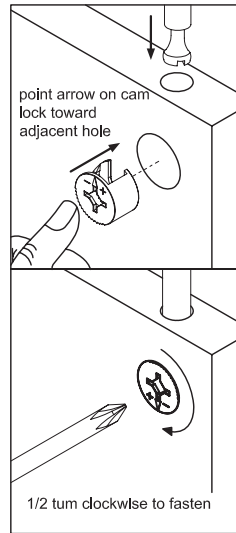
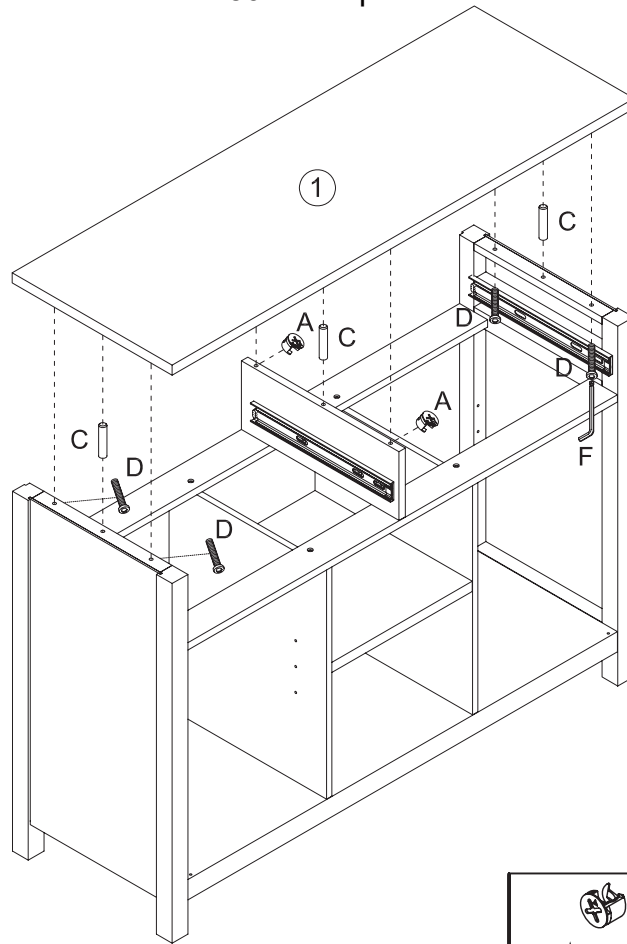
Step 8. Attach Left Side Panel (3) and Right Side Panel (4) using Wood Dowels (C) and Cam Locks (A) as shown.




NOTE: Cam locks must rotate full 180°. See pictured insert.



Step 9. Carefully turn cabinet over. Attach Top Panel (1) using Wood Dowels (C), Cam Locks (A), Long Flat Head Bolts (D) and Allen Key (F) as shown.

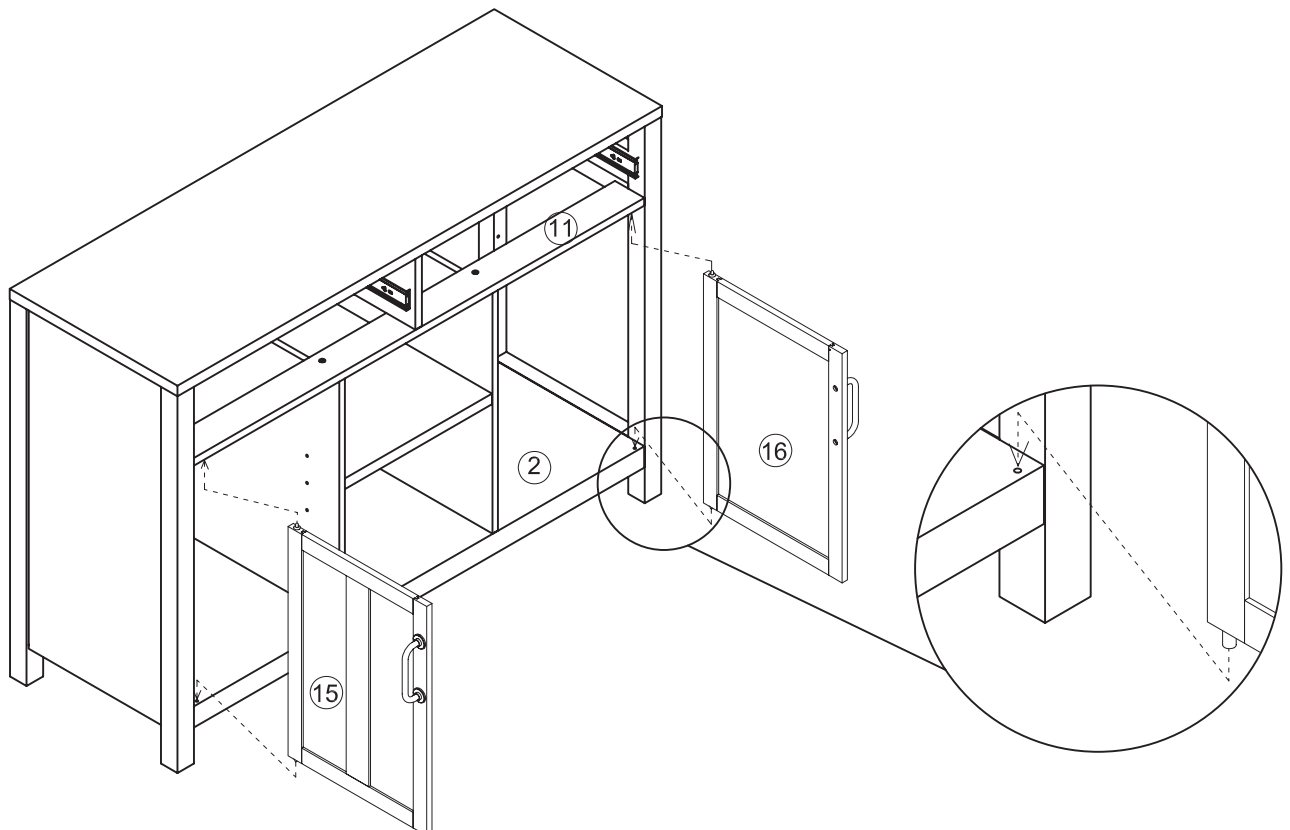
NOTE: Cam locks must rotate full 180°. See pictured insert.



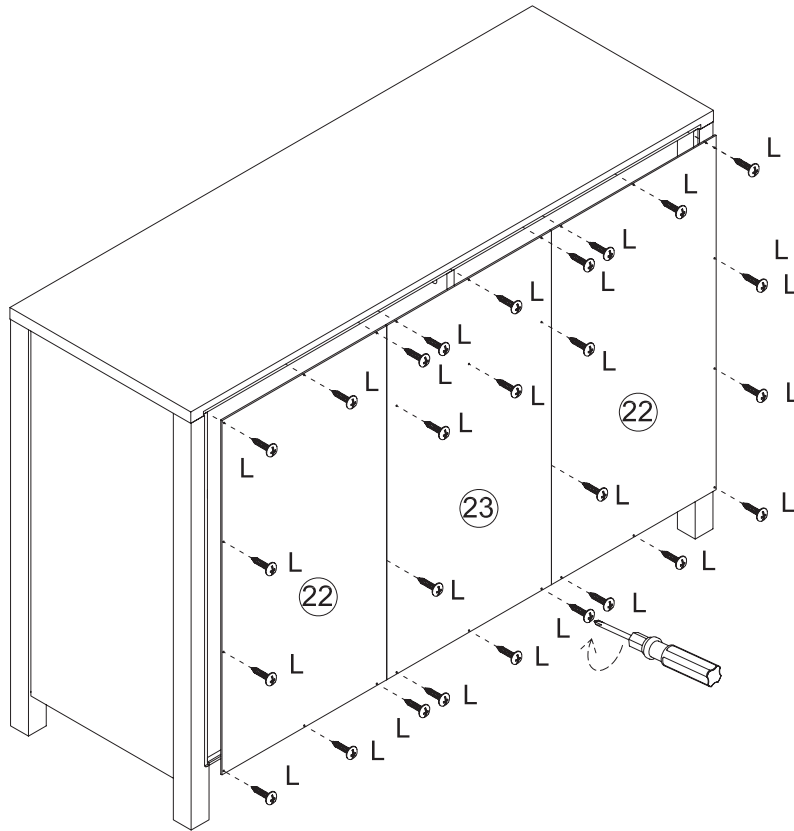
		
A x 2	C x 3	D x 4

Step 10. Attach Doors (15 & 16) to cabinet by placing bottom Pin Hinge into pre-drilled holes in Base (2) & depressing top spring loaded pin hinge to fit the door into place in Rail (11).

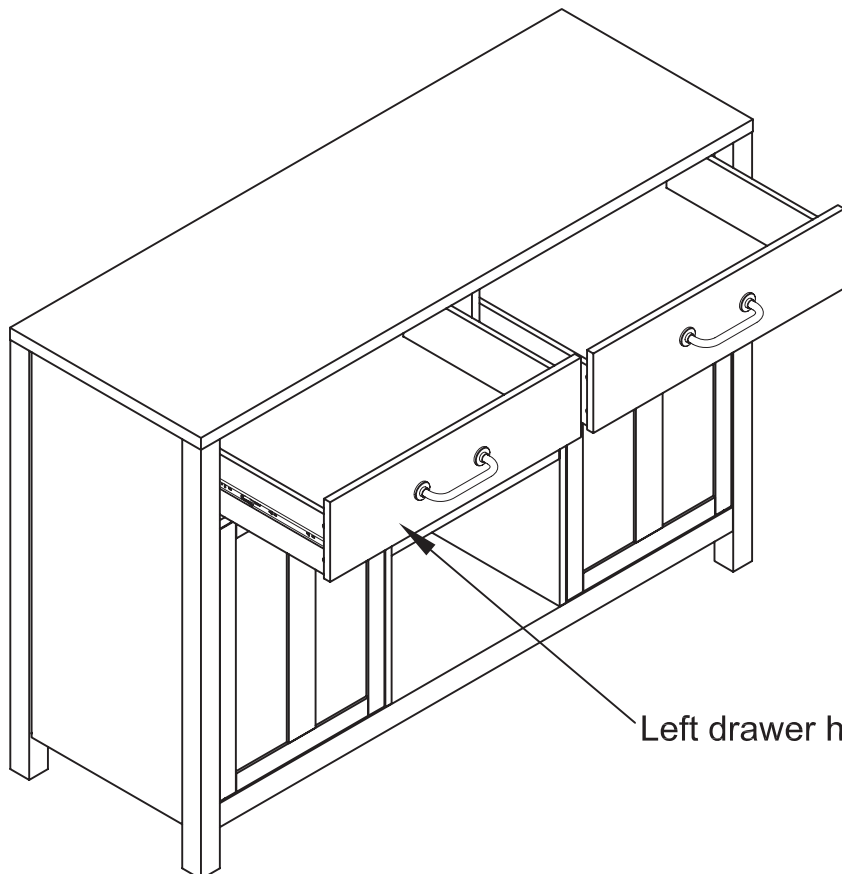
Note-Be sure Pin Hinges (top & bottom) have fully extended into the pre-drilled holes in Base (2) and Rail (11) to secure doors into place.



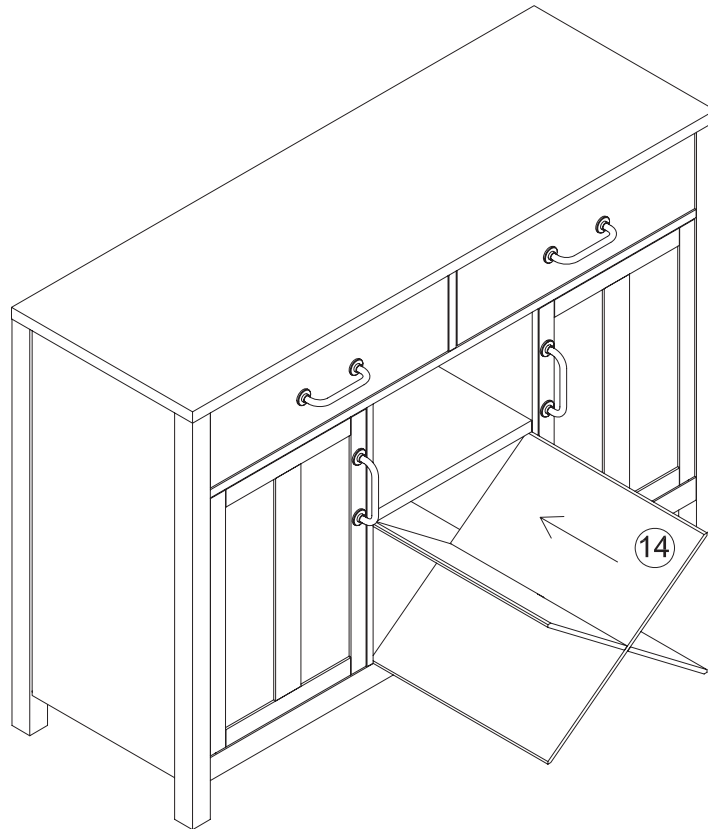
Step 11. Attach Back Panels (22&23) to cabinet using Round Head Screws (L) as shown.



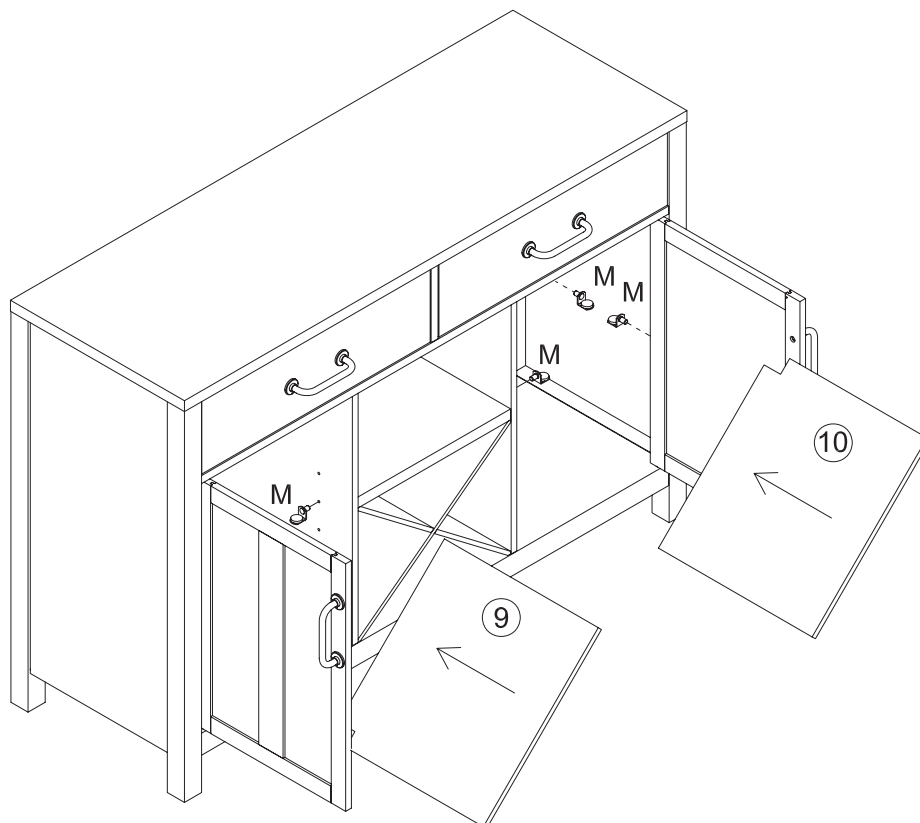
Step 12. Insert drawers into cabinet as shown.




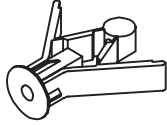



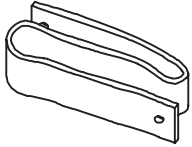
Step 13. Insert assembled wine holder shelf into cabinet as shown.



Step 14. Insert the Shelf Holders (M) into desired position. Insert Adjustable shelf (9&10) into cabinet.



Step 15.

N 	A 	B 	C  D 8*3/4"	D  D 8*1-1/2"	E 
SAFETY STRAP KIT 1PC	WALL ANCHOR A x 1PC	WASHER B x 2PCS	SHORT SCREW C x 1PC	LONG SCREW D x 1PC	SAFETY WALL STRAP E x 1PC

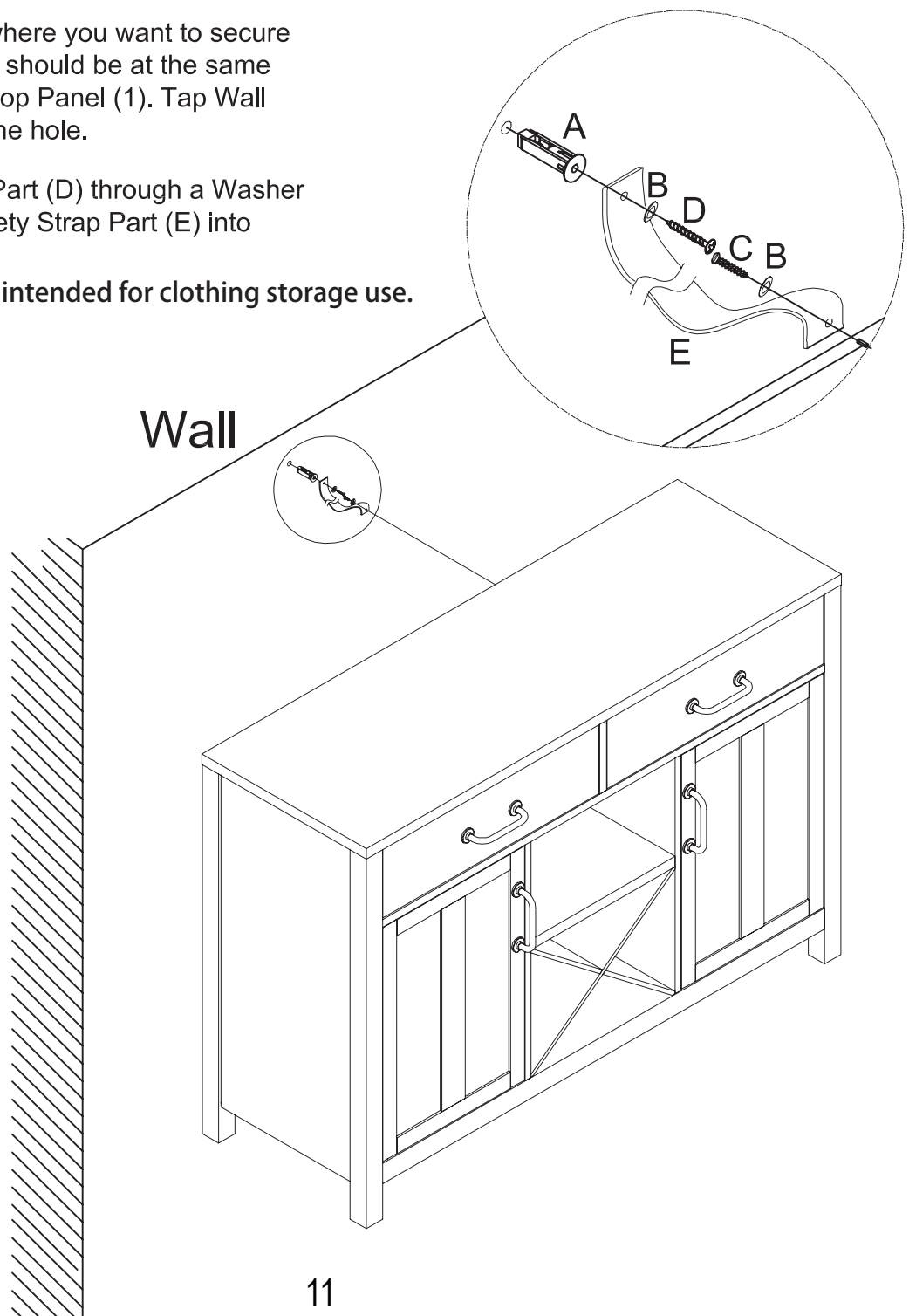
SAFETY WALL STRAP ASSEMBLY INSTRUCTION

1) Insert Short Screw Part (C) through Washer Part (B) and Safety Wall Strap Part (E) and screw it into Top Panel (1).

2) Drill a 1 1/32" hole where you want to secure your Pantry. The hole should be at the same height as the hole in Top Panel (1). Tap Wall Anchor Part (A) into the hole.

3) Insert Long Screw Part (D) through a Washer Part (B) and Wall Safety Strap Part (E) into Wall Anchor Part (A).

Note: This item is not intended for clothing storage use.



▲ WARNING

Children have died from furniture tipover. To reduce the risk of furniture tipover:

- ALWAYS install tipover restraint provided.
- NEVER put a TV on this product.
- NEVER allow children to stand, climb or hang on drawers, doors, or shelves.
- NEVER open more than one drawer at a time.
- Place heaviest items in the lowest drawers.

This is a permanent label. Do not remove!