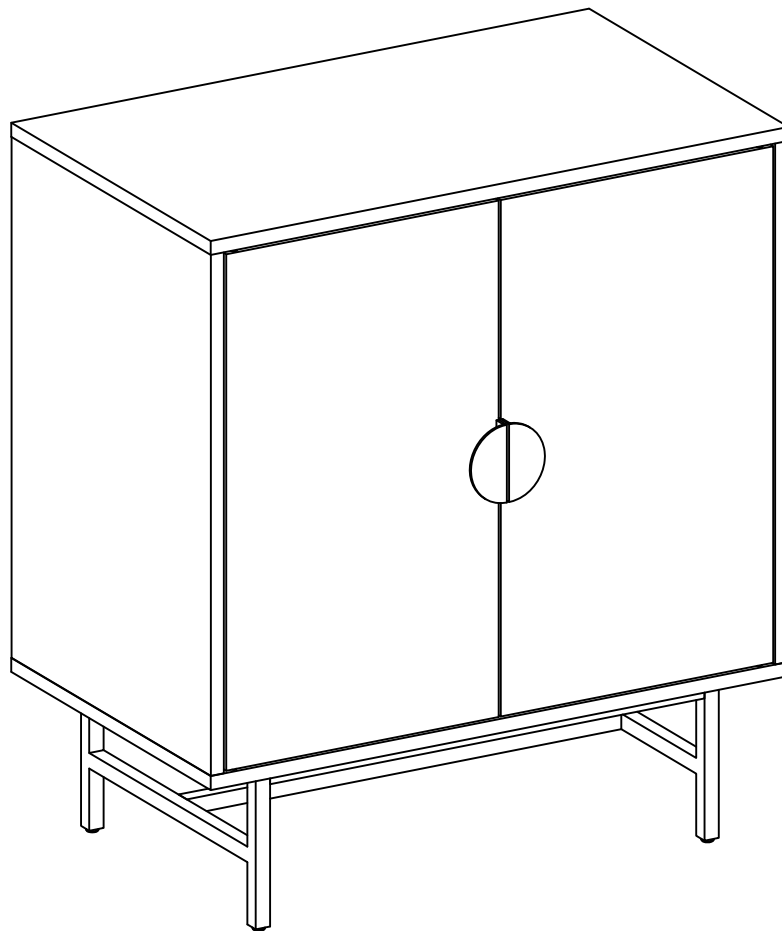


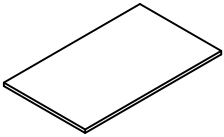
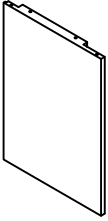
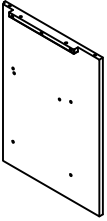
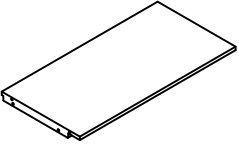
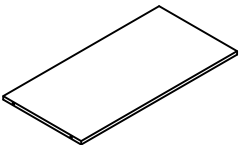
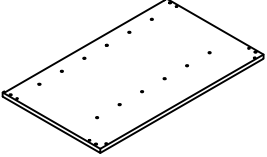
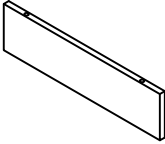

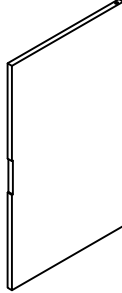
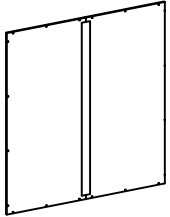
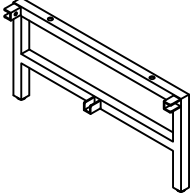
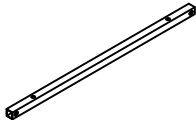
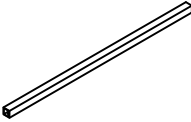
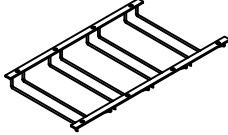
CROSLEY
FURNITURE

Bar Cabinet



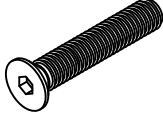




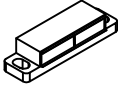
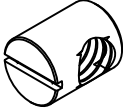


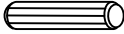


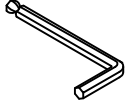
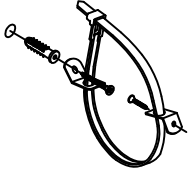
CF4012



PART LIST

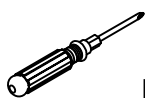
<p>A</p> 	<p>B</p> 	<p>C</p> 	<p>D</p> 	<p>E</p> 
<p>Top Panel 1 PC</p>	<p>Left Panel 1 PC</p>	<p>Right Panel 1 PC</p>	<p>Upper Fixed Shelf 1 PC</p>	<p>Middle Fixed Shelf 1 PC</p>
<p>F</p> 	<p>G</p> 	<p>H</p> 	<p>I</p> 	<p>J</p> 
<p>Bottom Panel 1 PC</p>	<p>Partition Panel 6 PCS</p>	<p>Left Door 1 PC</p>	<p>Right Door 1 PC</p>	<p>Back Panel 1 PC</p>
<p>K</p> 	<p>L</p> 	<p>M</p> 	<p>N</p> 	
<p>Side Frame 2 PCS</p>	<p>Side Rail 2 PCS</p>	<p>Middle Rail 1 PC</p>	<p>Bracket 1 PC</p>	

HARDWARE LIST

 #1 Handle 2 PCS	 #2 Long Bolt Ø1/4"*51mm 4 PCS (Extra 1)	 #3 Medium Bolt Ø1/4"*32mm 8 PCS (Extra 1)	 #4 Short Bolt Ø1/4"*25mm 8 PCS (Extra 1)	 #5 Bolt Ø1/4"*15mm 6 PCS (Extra 1)
 #6 Spring Washer Ø1/4"*11mm 12 PCS (Extra 1)	 #7 Flat Washer Ø1/4"*13mm 12 PCS (Extra 1)	 #8 Magnet 1 PC	 #9 Barrel Nut 4 PCS(Extra 1)	 #10 Large Round Head Screw 8*3*15mm 20 PCS (Extra 1)
 #11 Small Round Head Screw 2 PCS (Extra 1)	 #12 Wood Dowel Ø8*30mm 40 PCS (Extra 1)	 #13 Long Screw 6*3.5*14mm 6 PCS (Extra 1)	 #14 Short Screw 7*3.5*12mm 8 PCS (Extra 1)	 #15 Allen Wrench 4mm*90 1 PC
 #16 Safety Strap Kit 1 SET				

ADDITIONAL TOOLS (Not Provided)

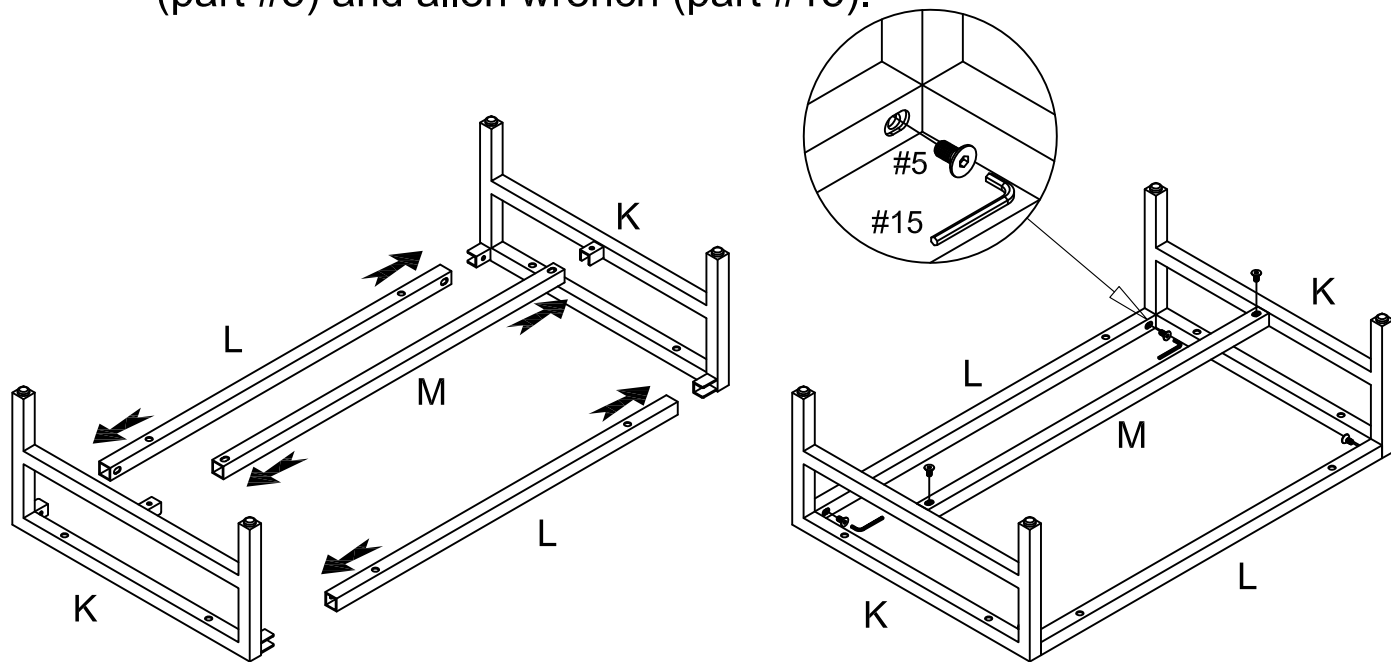
Note: It is not recommended to use power tools during assembly.



Phillips Head Screwdriver

Note: Wood dowels are intended for alignment. Additional clearance between wood dowel and pre-drilled hole is intentional for ease of assembly.

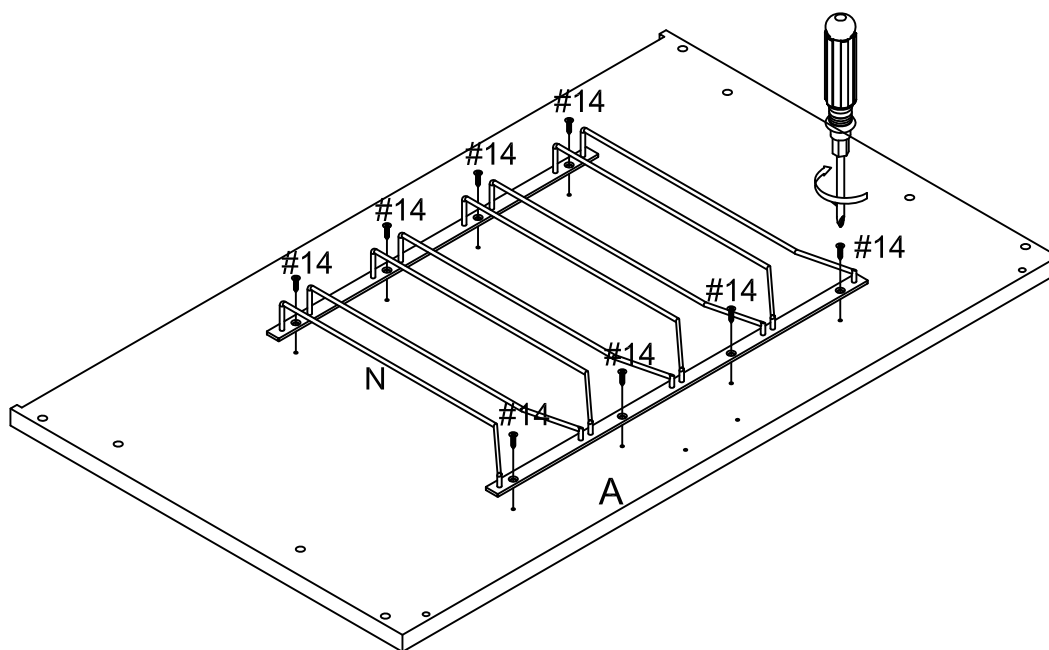
Step 1. Insert side frames (part K) into rails (parts L & M) using bolts (part #5) and allen wrench (part #15).



#5  x 6

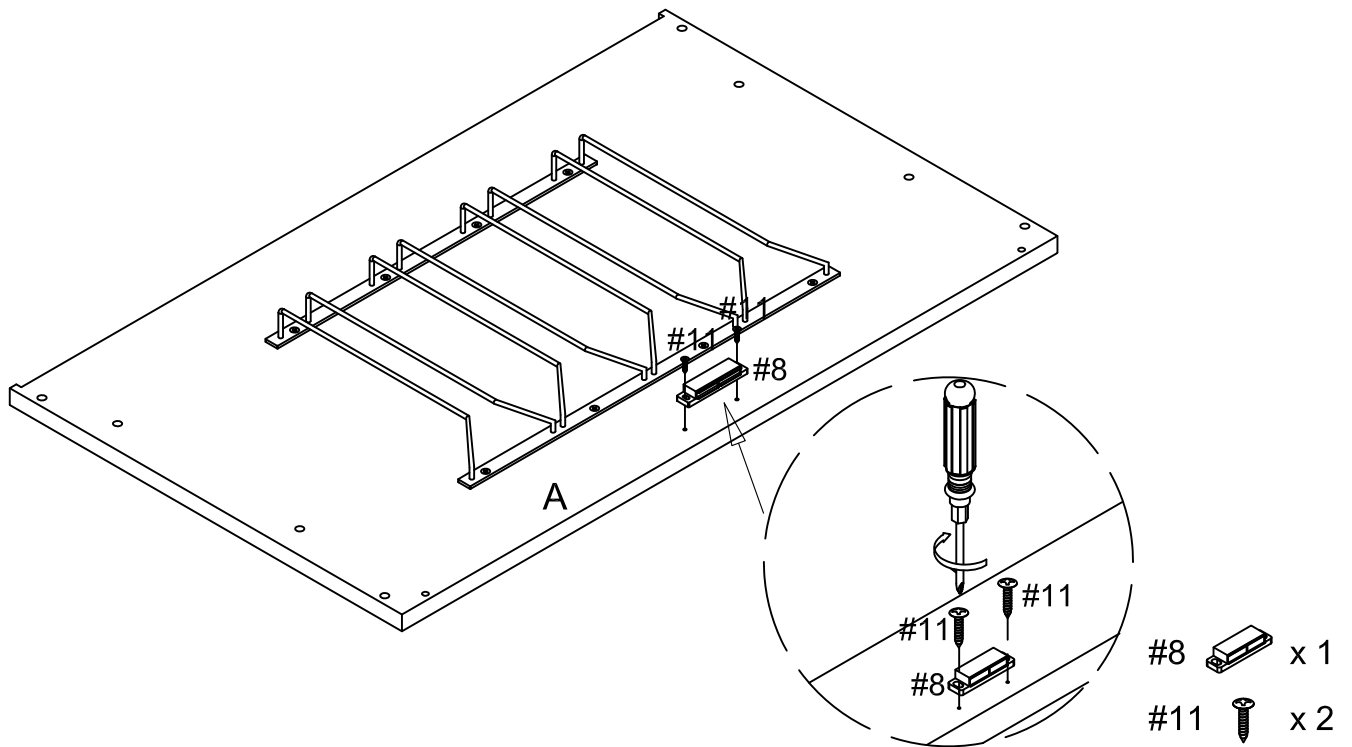
#15  x 1

Step 2. Attach bracket (part N) to the top panel (part A) using short screws (part #14) and phillips head screwdriver.

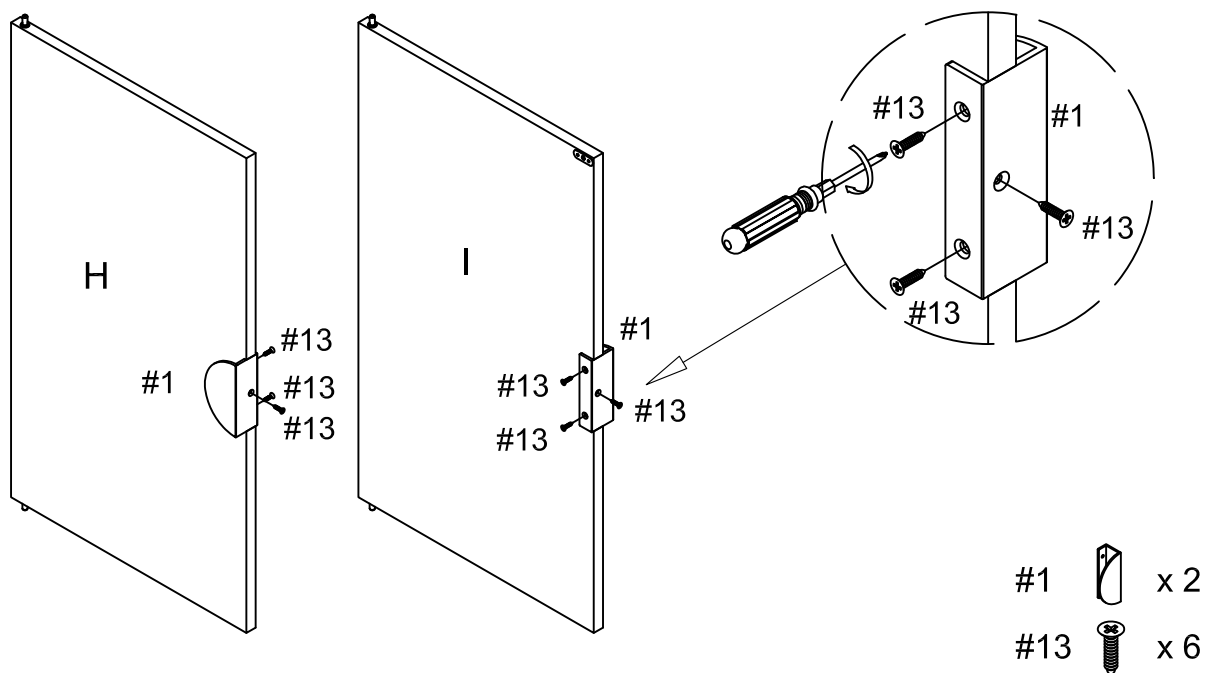


#14  x 8

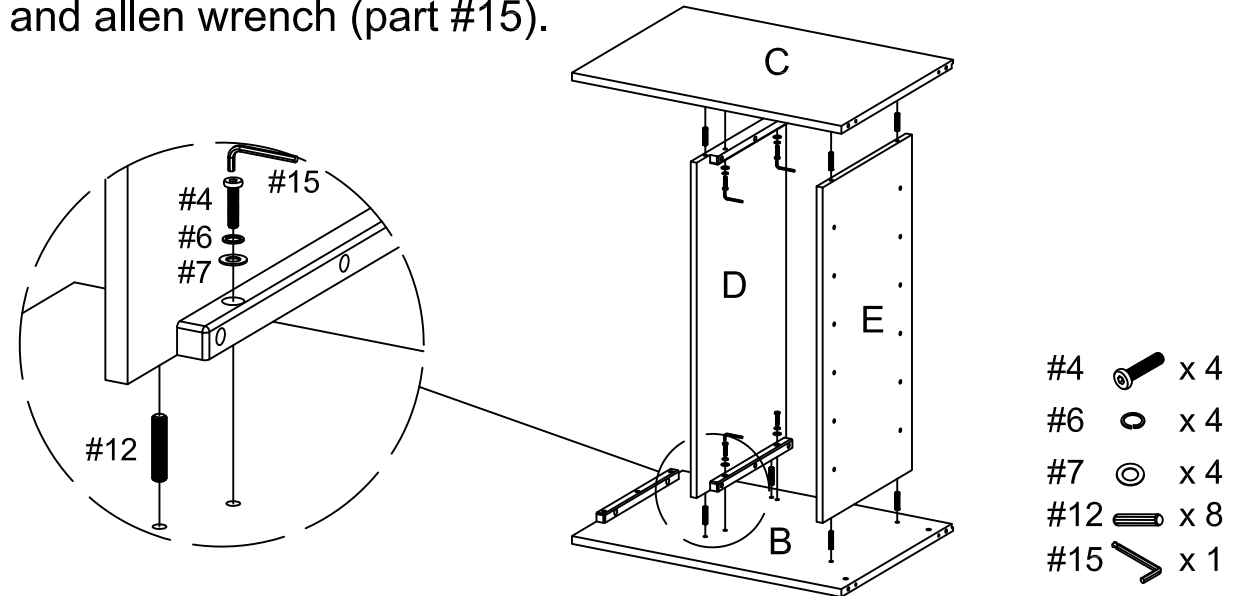
Step 3. Attach magnet (part #8) to the top panel (part A) using small round head screws (part #11) and phillips head screwdriver.



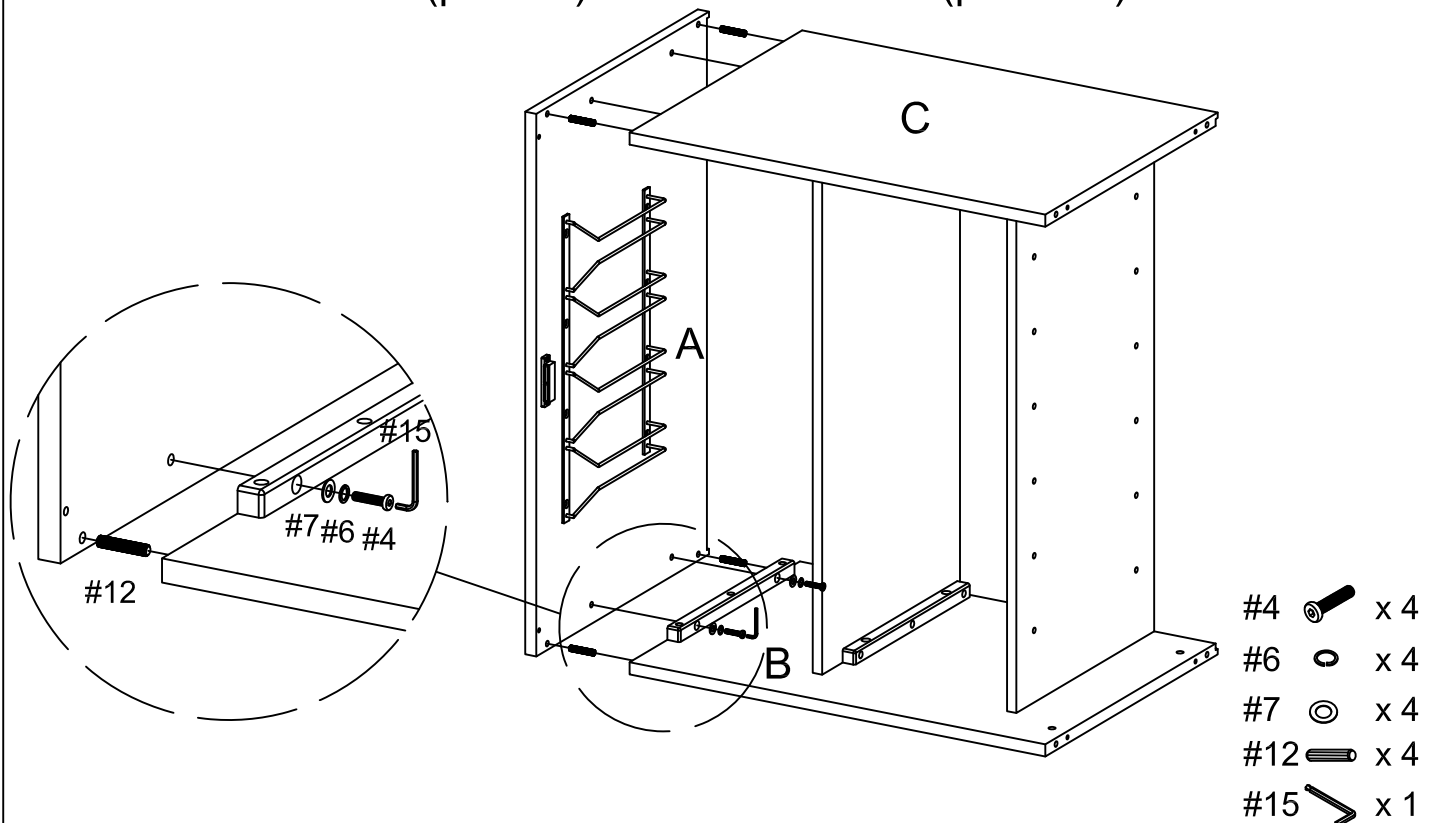
Step 4. Attach handles (part #1) to door panels (parts H & I) using long screws (part #13) and phillips head screwdriver.



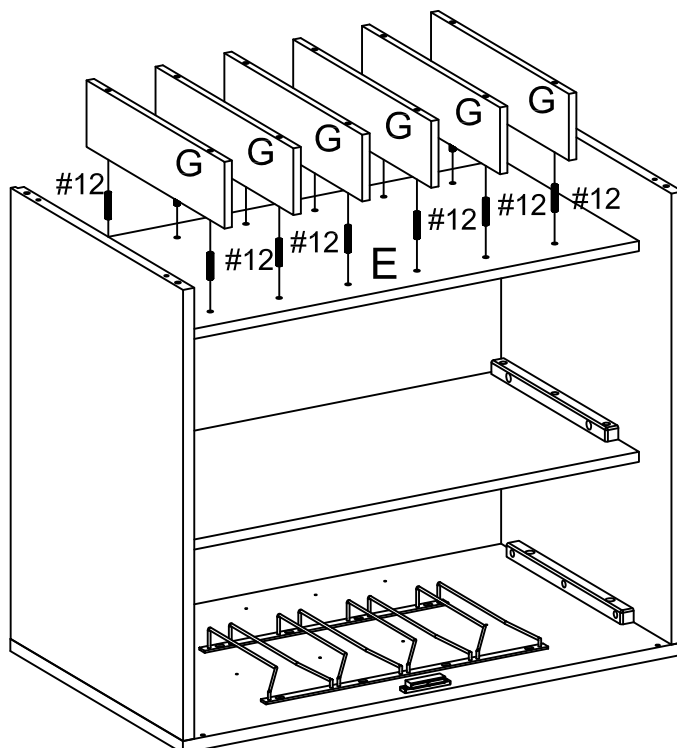
Step 5. Attach upper fixed shelf (part D) and middle fixed shelf (part E) to left panel (part B) using wood dowels (part #12), short bolts (part #4), spring washers (part #6), flat washers (part #7) and allen wrench (part #15).



Step 6. Attach top panel (part A) to panels (parts B & C) using wood dowels (part #12), short bolts (part #4), spring washers (part #6), flat washers (part #7) and allen wrench (part #15).

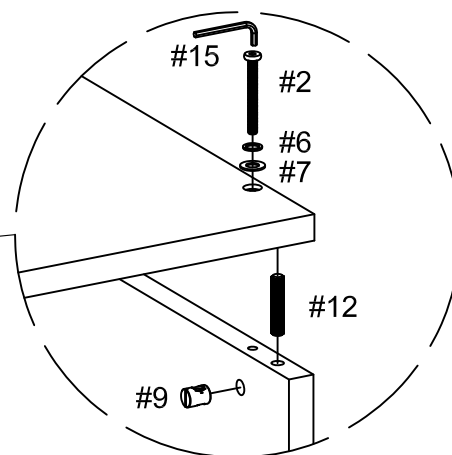
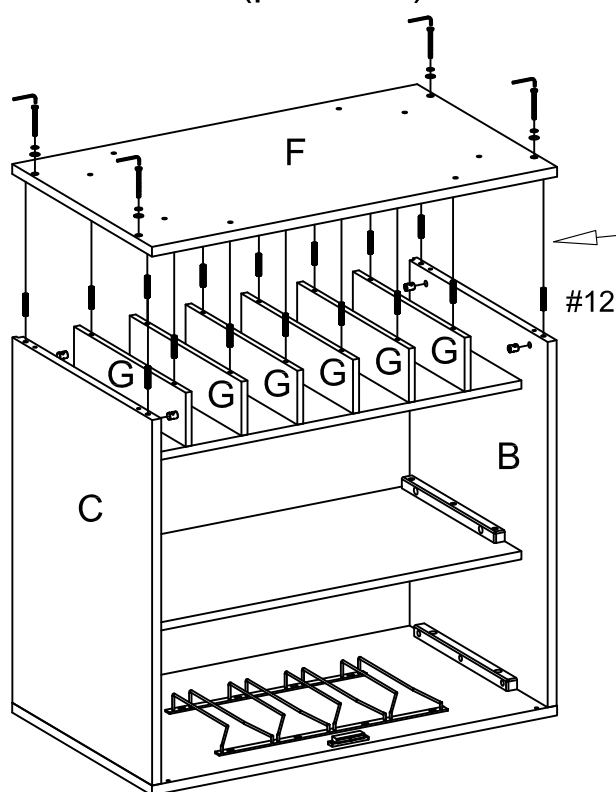


Step 7. Attach partition panels (part G) to middle fixed shelf (part E) using wood dowels (part #12).



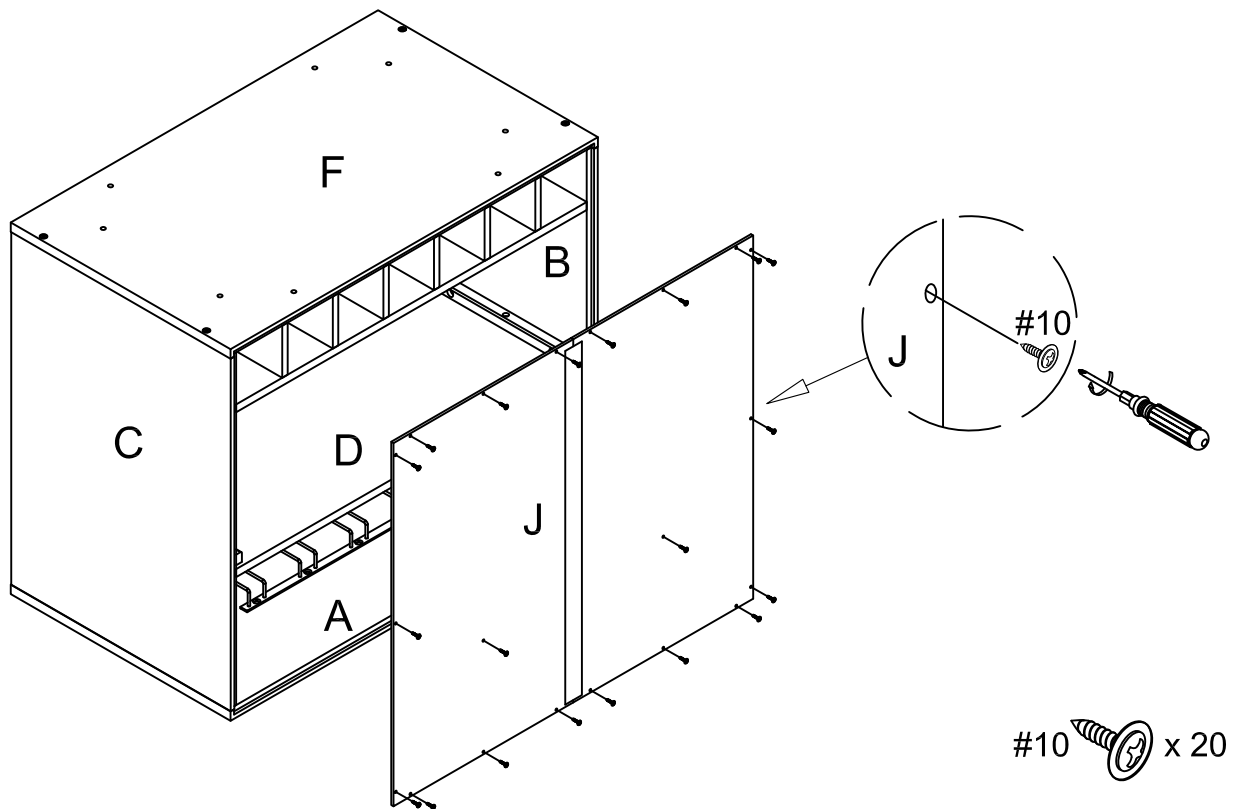
#12  x 12

Step 8. Attach bottom panel (part F) to assembled unit (parts B, C & G) using wood dowels (part #12), long bolts (part #2), barrel nuts (part #9), spring washers (part #6), flat washers (part #7) and allen wrench (part #15).

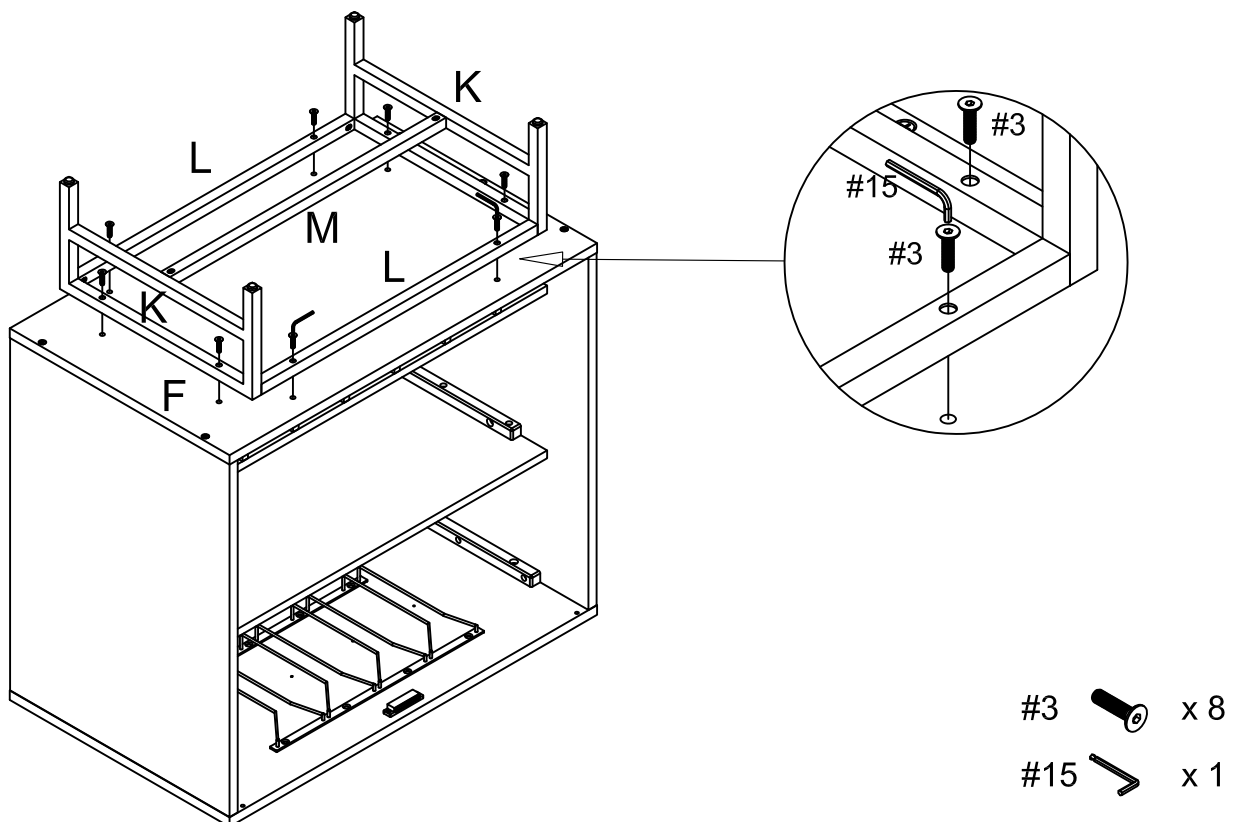


#2  x 4
 #6  x 4
 #7  x 4
 #9  x 4
 #12  x 16
 #15  x 1

Step 9. Attach back panel (part J) to assembled unit (parts A, B, C, D & F) using large round head screws (part #10) and phillips head screwdriver.



Step 10. Attach assembled unit (parts K, L & M) to bottom panel (part F) using medium bolts (part #3) and allen wrench (part #15).

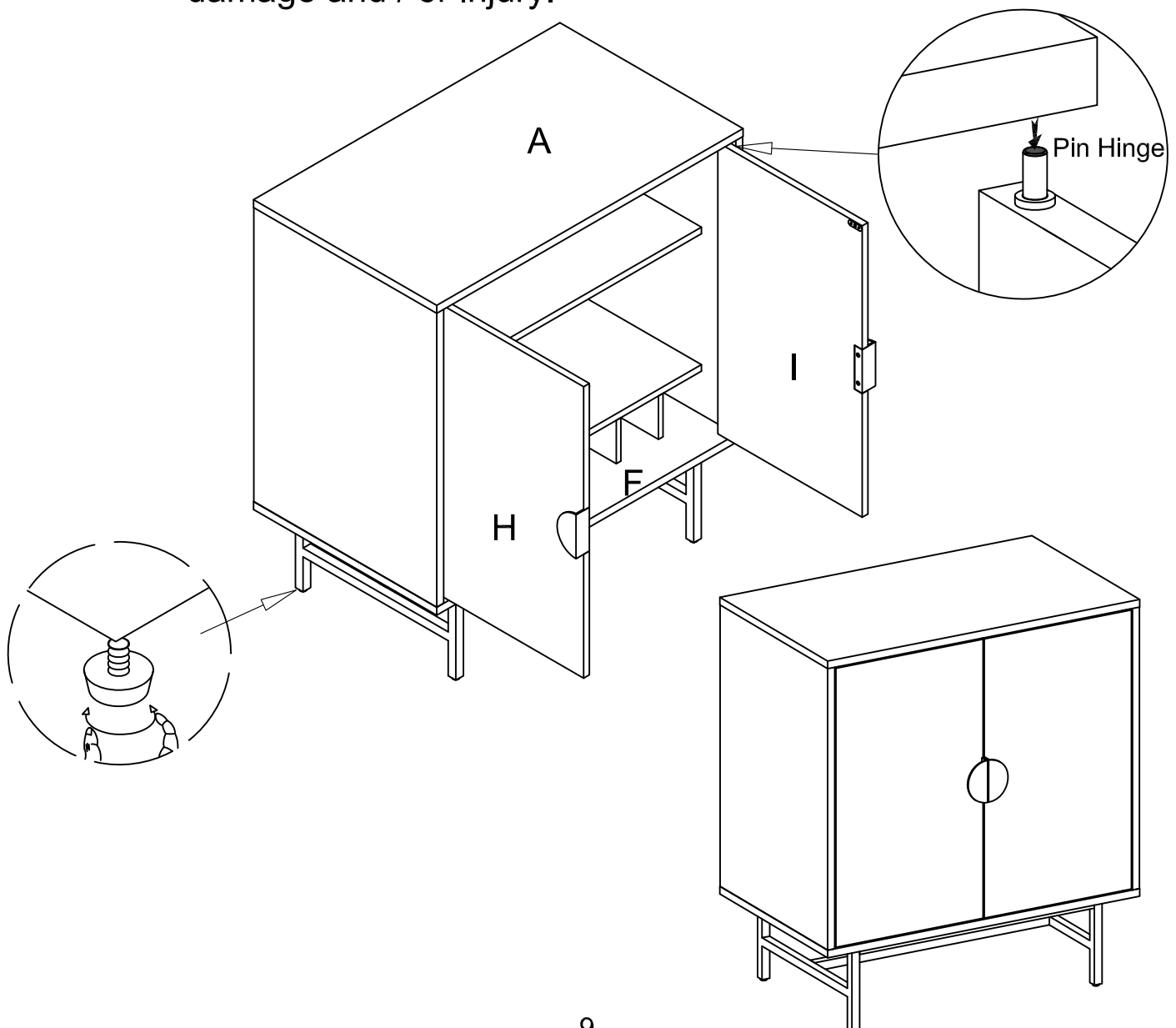


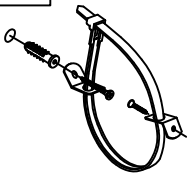





Step 11. Carefully turn the unit upright. Attach doors (parts H & I) by placing pin hinge (pre-installed in door) in the pre-drilled hole of bottom panel (part F). Then depress the top spring-loaded pin hinge so it can be placed in the pre-drilled hole of top panel (part A).

NOTE: Be sure top and bottom pin hinges are fully extended to secure doors in place.

NOTE: It is important to adjust levelers once fully assembled and upright. Extend adjustable leveler until it's firmly in contact with the floor. If relocating, adjust leveler as needed until it's firmly in contact with the floor in new location.

Important: Safety strap kit (part #16) must be installed to prevent tipping damage and / or injury.



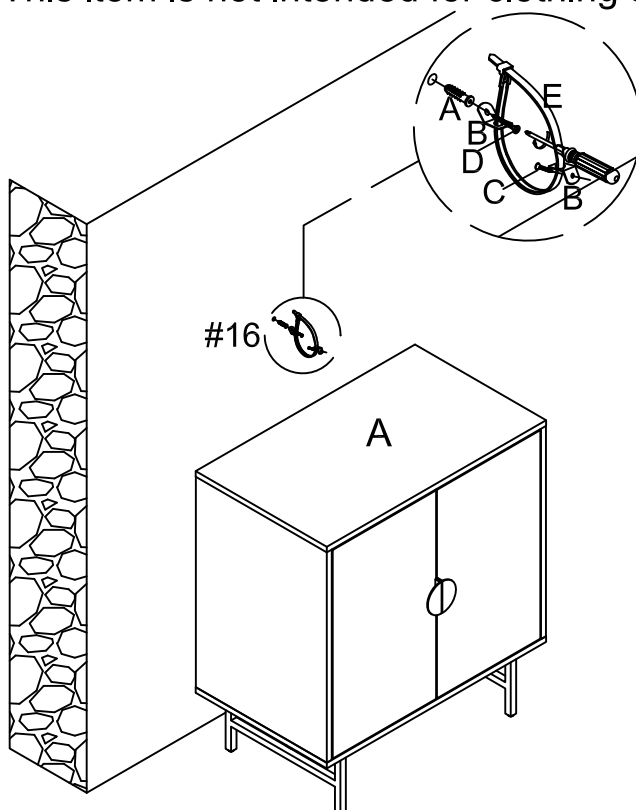
#16	A	B	C	D	E
					
Safety Strap Kit 1 SET	Wall Anchor 1 PC	Bracket 2 PCS	Short Screw 1 PC 8*3*15mm	Long Screw 1 PC 8*4*35mm	Safety Wall Strap 1 PC

SAFETY WALL STRAP INSTALLATION

Note: It is highly recommended to install this safety strap kit to prevent tipping, damage and/or injury.

1. Insert short screw (C) and safety wall strap (E) through bracket (B) and attach to top panel (part A) using phillips head screwdriver.
2. Drill a 11/32" hole where you want to secure the unit. The drilled hole will be at the same height as the hole in top panel (part A) where bracket (B) is attached. Tap wall anchor (A) into the hole.
3. Insert long screw (D) and safety wall strap (E) through bracket (B) into wall anchor (A) using phillips head screwdriver.

Note: This item is not intended for clothing storage use.



⚠ WARNING	
	Children have died from furniture tipover. To reduce the risk of furniture tipover:
	<ul style="list-style-type: none"> • ALWAYS install tipover restraint provided. • NEVER put a TV on this product. • NEVER allow children to stand, climb or hang on drawers, doors, or shelves. • NEVER open more than one drawer at a time. • Place heaviest items in the lowest drawers. <p style="text-align: center;"><i>This is a permanent label. Do not remove!</i></p>