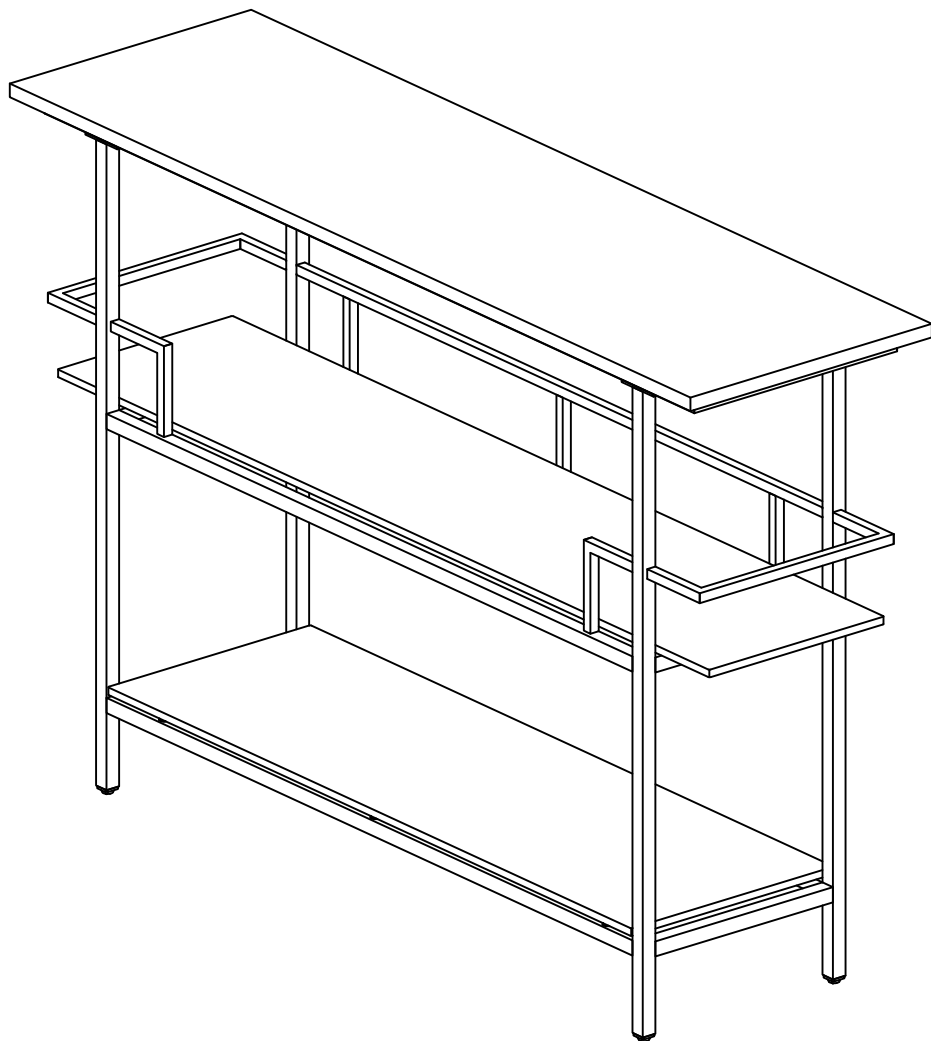
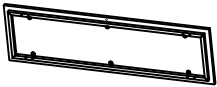
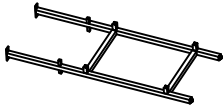
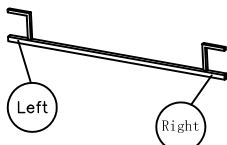
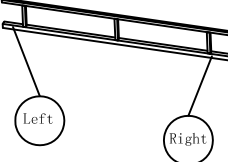
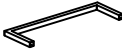







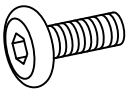
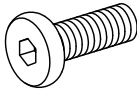
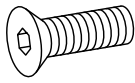






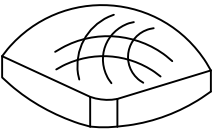
Bar
CF4008



PART LIST

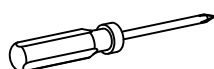
				
<p>Top Panel 1 PC</p>	<p>Leg 2 PCS</p>	<p>Front Stretcher 1 PC</p>	<p>Back Stretcher 1 PC</p>	<p>Side Stretcher 2 PCS</p>
				
<p>Bottom Stretcher 2 PCS</p>	<p>Glass Shelf 1 PC</p>	<p>Bottom Glass Shelf 1 PC</p>		

HARDWARE LIST

				
<p>3/16"x3/8"L Short Hex Bolt 8 PCS (Extra 1)</p>	<p>1/4"x5/8"L Hex Bolt 8 PCS (Extra 1)</p>	<p>1/4"x5/8"L Bolt 8 PCS (Extra 1)</p>	<p>Ø8xØ5 Small Spring Washer 8 PCS (Extra 1)</p>	<p>Ø10.5xØ7 Spring Washer 8 PCS (Extra 1)</p>
				
<p>Ø10xØ5 Small Flat Washer 8 PCS (Extra 1)</p>	<p>Ø13xØ7 Flat Washer 8 PCS (Extra 1)</p>	<p>Ø12.7x3.5 Suction Cap 10 PCS (Extra 1)</p>	<p>Allen Wrench 1 PC</p>	<p>Safety Strap Kit 1 SET</p>

ADDITIONAL TOOLS (Not Provided)

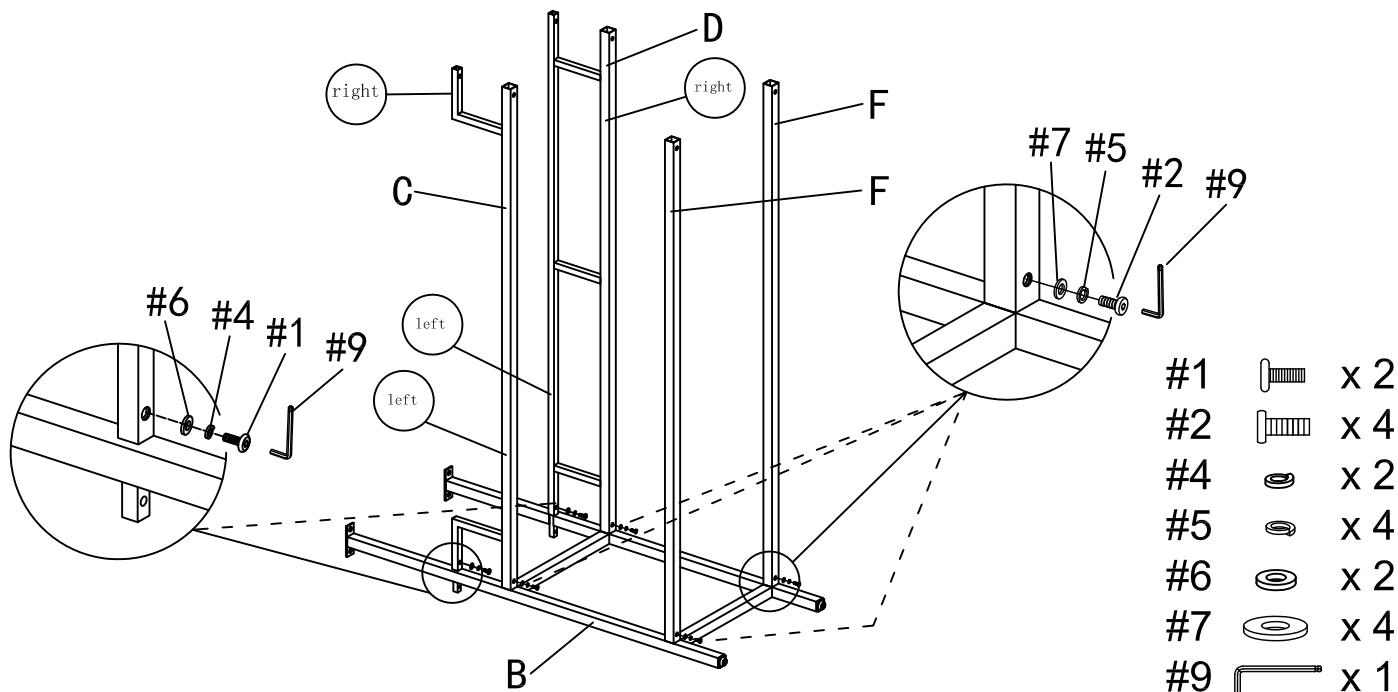
Note: It is not recommended to use power tools during assembly.



Phillips Head Screwdriver

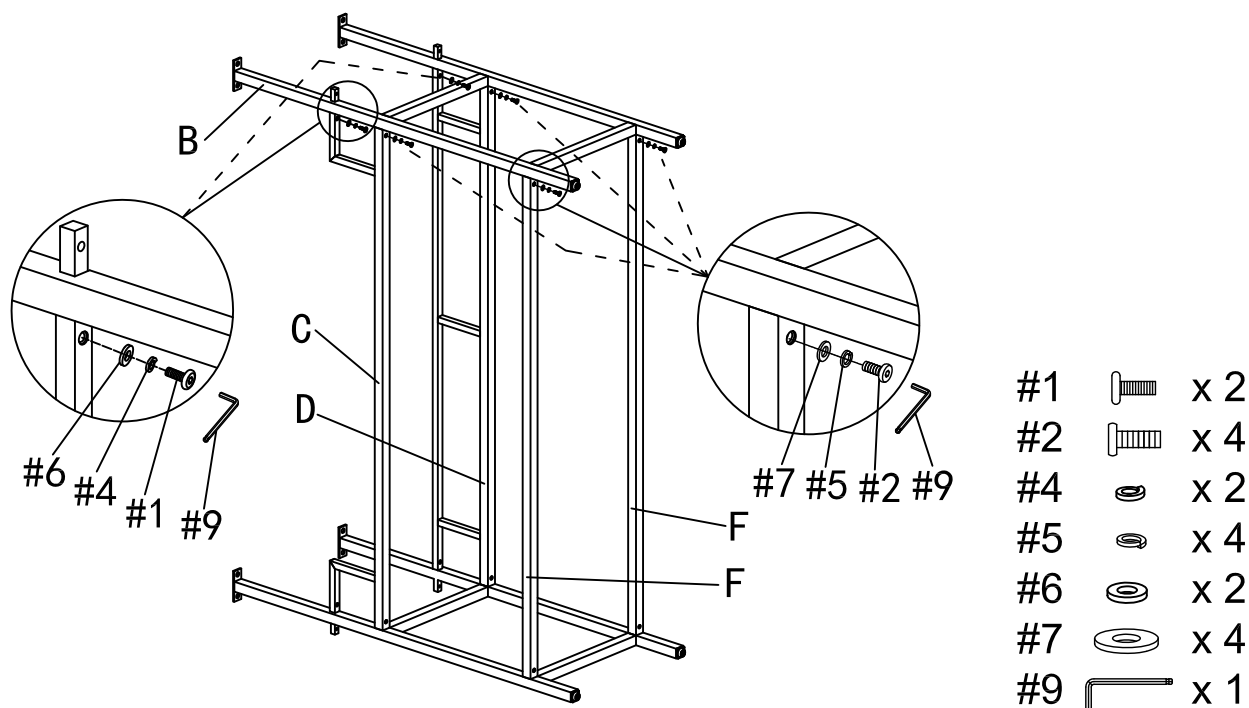
Step 1. Lay leg (part B) on a soft flat surface, such as carpet, as shown below. Attach front stretcher (part C), back stretcher (part D) and bottom stretchers (part F) using short hex bolts (part #1), small spring washers (part #4), small flat washers (part #6), hex bolts (part #2), spring washers (part #5), flat washers (part #7) and allen wrench (part #9).

NOTE: Please do not fully tighten bolts until unit is fully assembled.



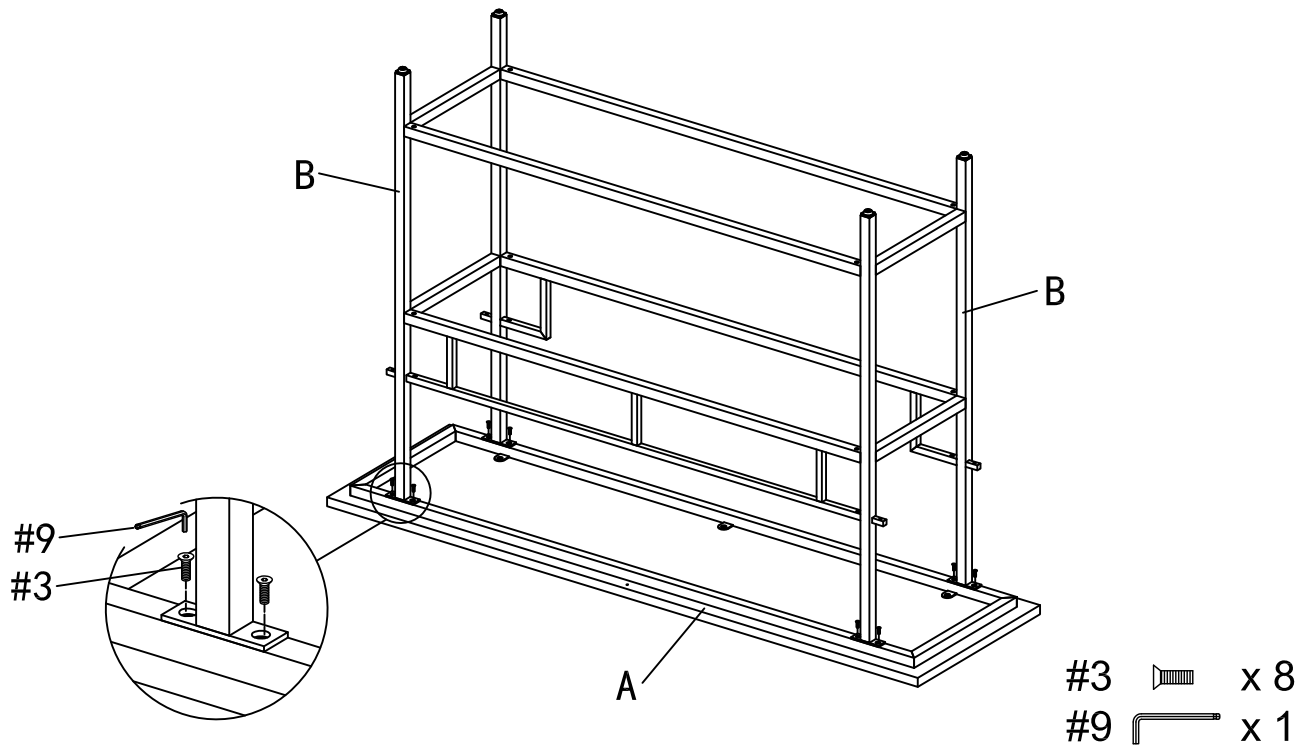
Step 2. Attach leg (part B) to front stretcher (part C), back stretcher (part D) and bottom stretchers (part F) using short hex bolts (part #1), small spring washers (part #4), small flat washers (part #6), hex bolts (part #2), spring washers (part #5), flat washers (part #7) and allen wrench (part #9).

NOTE: Please do not fully tighten bolts until unit is fully assembled.



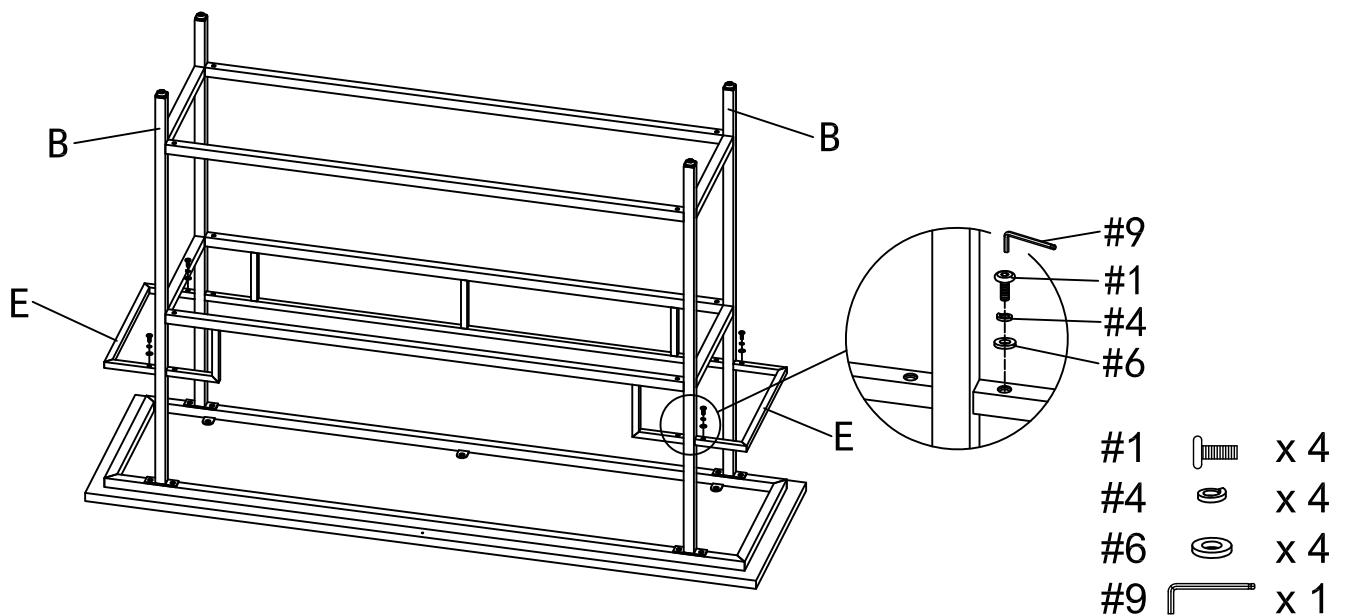
Step 3. Attach top panel (part A) to legs (part B) using bolts (part #3) and allen wrench (part #9).

NOTE: Please do not fully tighten bolts until unit is fully assembled.

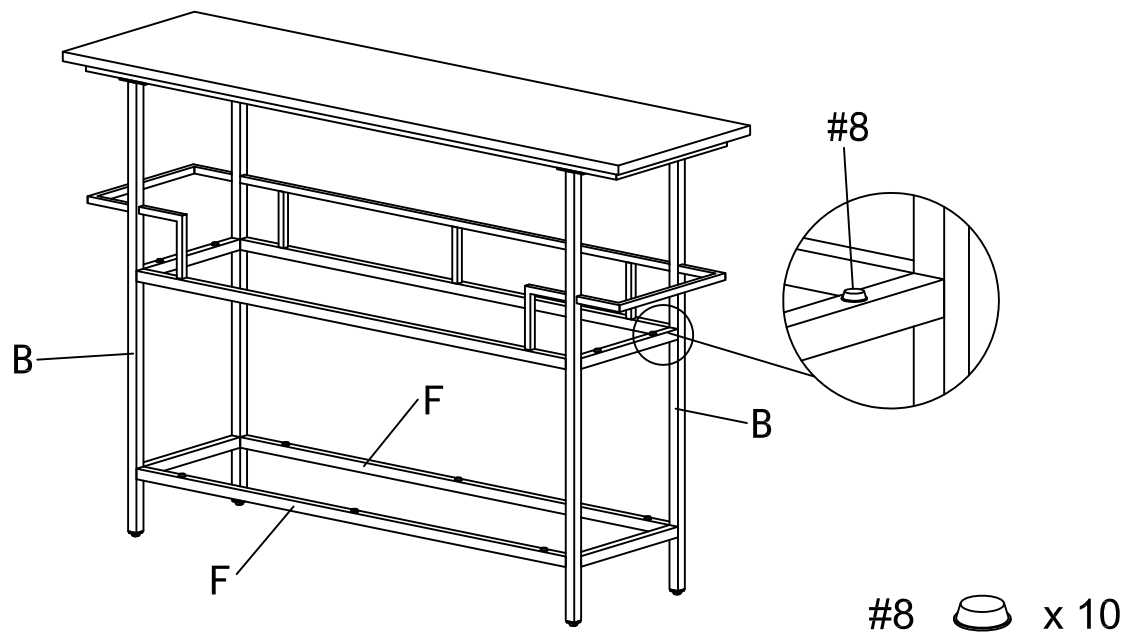


Step 4. Attach side stretchers (part E) to legs (part B) using short hex bolts (part #1), small spring washers (part #4), small flat washers (part #6) and allen wrench (part #9).

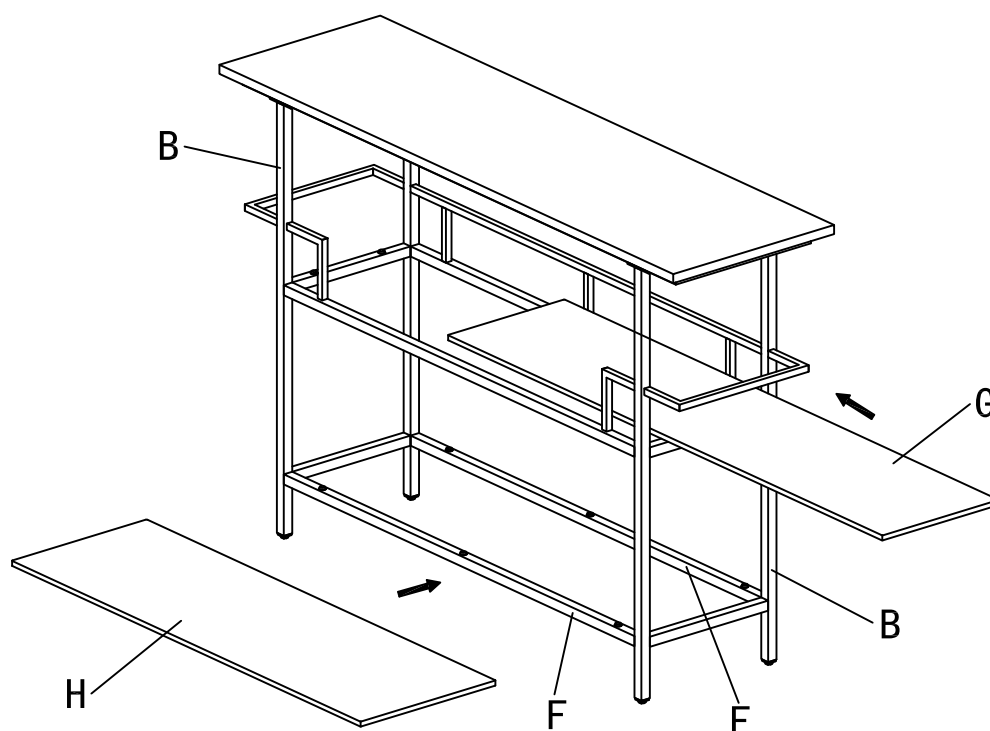
NOTE: Please fully tighten all bolts at this time.

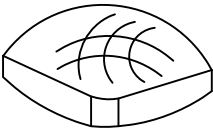

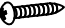
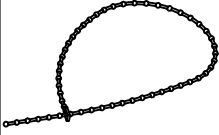

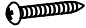


Step 5. Carefully turn unit upright. Set suction caps (part #8) to legs (part B) and bottom stretchers (part F).



Step 6. Put glass shelf (part G) and bottom glass shelf (part H) into place.



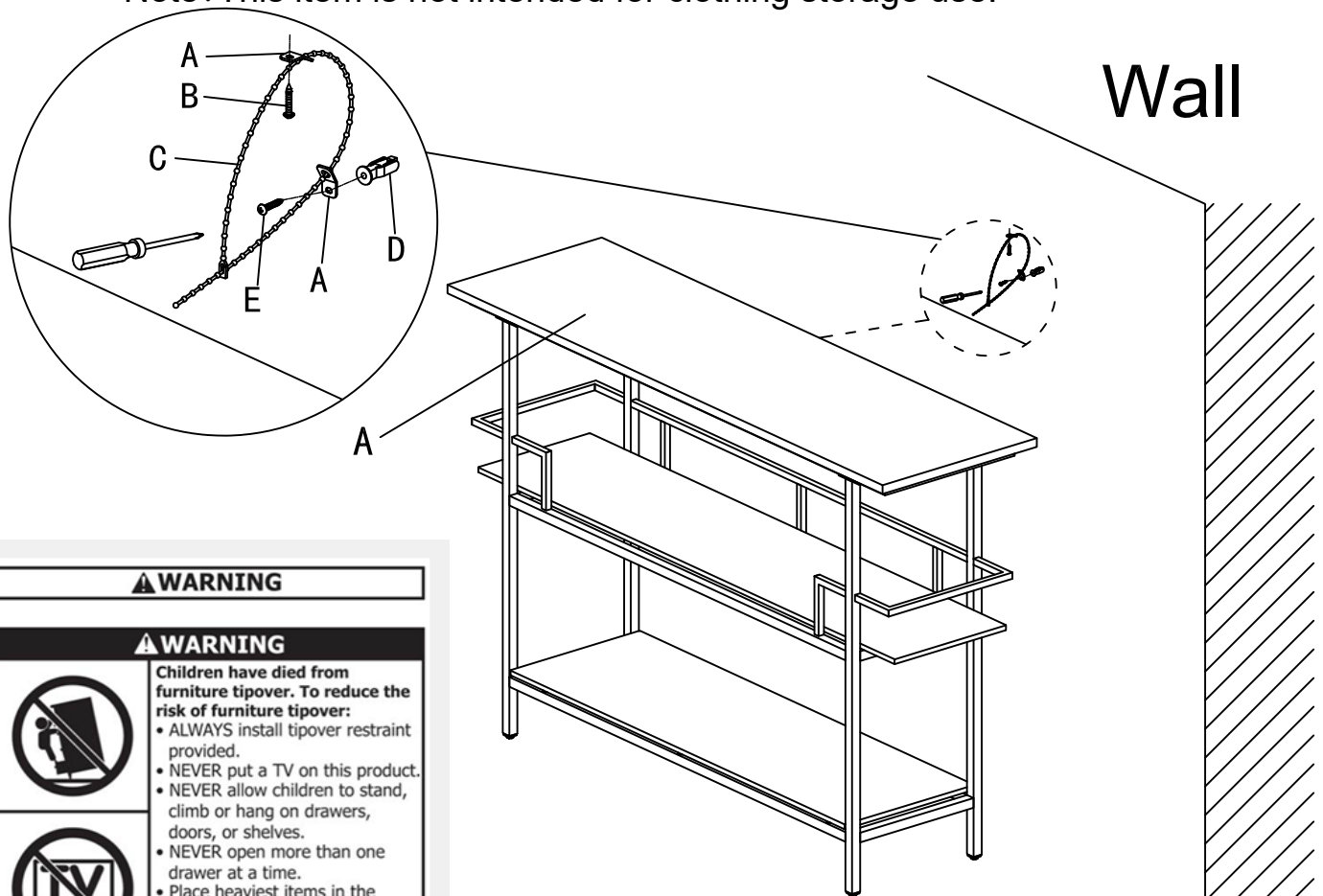
#10	A	B	C	D	E
					
Safety Strap Kit 1 SET	Metal Plate 2 PCS	M4x5/8"L Screw 1 PC	Safety Wall Strap 1 PC	Wall Anchor 1 PC	M4x1-5/8"L Screw 1 PC

SAFETY WALL STRAP INSTALLATION

Note: It is highly recommended to install this safety strap kit to prevent tipping, damage and/or injury.

1. Insert screw (B) through metal plate (A) and safety wall strap (C) and attach to top panel (part A) using phillips head screwdriver.
2. Drill a $\text{Ø}2/5$ " hole where you want to secure the unit. The drilled hole will be at the same height as the hole in top panel (part A) where the safety wall strap (C) is attached. Tap wall anchor (D) into the hole.
3. Insert screw (E) through metal plate (A) and safety wall strap (C) into wall anchor (D) using phillips head screwdriver.

Note: This item is not intended for clothing storage use.



⚠ WARNING




⚠ WARNING

Children have died from furniture tipover. To reduce the risk of furniture tipover:

- ALWAYS install tipover restraint provided.
- NEVER put a TV on this product.
- NEVER allow children to stand, climb or hang on drawers, doors, or shelves.
- NEVER open more than one drawer at a time.
- Place heaviest items in the lowest drawers.

*This is a permanent label.
Do not remove!*