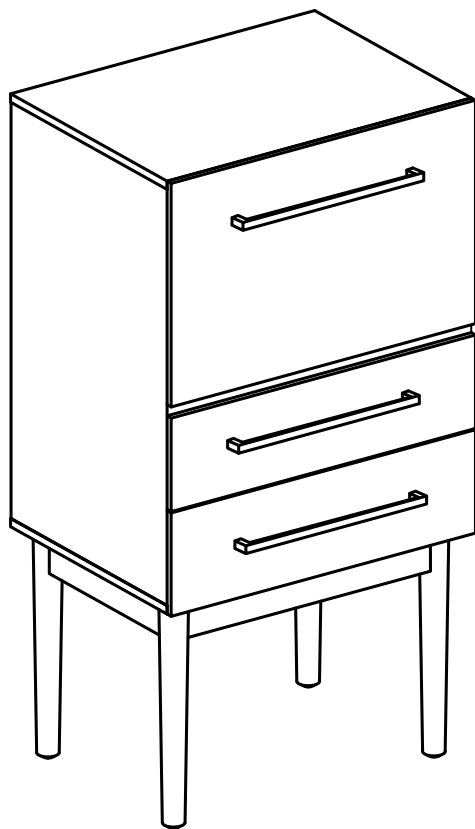
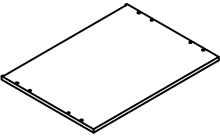
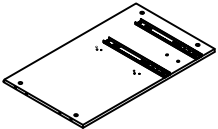
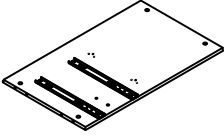
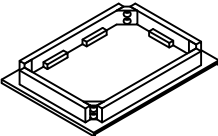
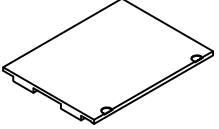

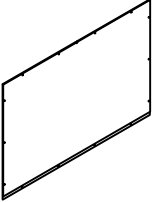
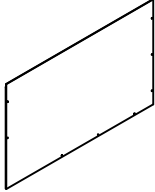
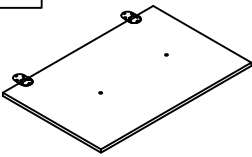
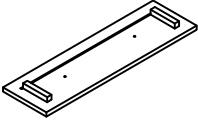
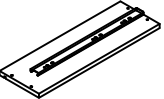
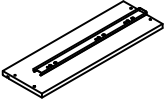
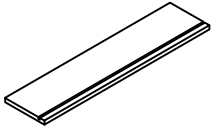
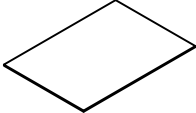






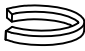




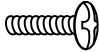


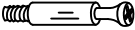

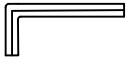





**Spirits Cabinet**  
**CF4006**



# PART LIST

<p><b>A</b></p> 	<p><b>B</b></p> 	<p><b>C</b></p> 	<p><b>D</b></p> 	<p><b>E</b></p> 
<p>Top Panel 1 PC</p>	<p>Left Side Panel 1 PC</p>	<p>Right Side Panel 1 PC</p>	<p>Bottom Frame 1 PC</p>	<p>Fixed Shelf 1 PC</p>
<p><b>F</b></p> 	<p><b>G</b></p> 	<p><b>H</b></p> 	<p><b>I</b></p> 	<p><b>J</b></p> 
<p>Leg 4 PCS</p>	<p>Top Back Panel 1 PC</p>	<p>Bottom Back Panel 1 PC</p>	<p>Door Panel 1 PC</p>	<p>Front of Drawer 2 PCS</p>
<p><b>K</b></p> 	<p><b>L</b></p> 	<p><b>M</b></p> 	<p><b>N</b></p> 	
<p>Left Side Panel of Drawer 2 PCS</p>	<p>Right Side Panel of Drawer 2 PCS</p>	<p>Back Panel of Drawer 2 PCS</p>	<p>Bottom Panel of Drawer 2 PCS</p>	

# HARDWARE LIST

<p>#1</p>  <p>M6x45</p>	<p>#2</p> 	<p>#3</p> 	<p>#4</p>  <p>D7xØ3.5x12</p>	<p>#5</p>  <p>D7xØ4x25</p>
<p>Allen Bolt</p> <p>8 PCS</p>	<p>Flat Washer</p> <p>10 PCS (Extra 2)</p>	<p>Spring Washer</p> <p>10 PCS (Extra 2)</p>	<p>Screw</p> <p>16 PCS (Extra 2)</p>	<p>Screw</p> <p>26 PCS (Extra 2)</p>
<p>#6</p>  <p>Ø6x30</p>	<p>#7</p> 	<p>#8</p>  <p>Ø9mmx5/32"x1"</p>	<p>#9</p>  <p>Ø7x2.5x12mm</p>	<p>#10</p>  <p>Ø15x12mm</p>
<p>Wood Dowel</p> <p>4 PCS</p>	<p>Handle</p> <p>3 PCS</p>	<p>Round Head Bolt</p> <p>6 PCS</p>	<p>Screw</p> <p>26 PCS (Extra 2)</p>	<p>Cam Lock</p> <p>10 PCS (Extra 2)</p>
<p>#11</p>  <p>Ø7*35mm</p>	<p>#12</p>  <p>Ø8x30</p>	<p>#13</p>  <p>M4</p>	<p>#14</p> 	<p>#15</p>  <p>D6xØ3x12</p>
<p>Cam Bolt</p> <p>10 PCS (Extra 2)</p>	<p>Wood Dowel</p> <p>10 PCS (Extra 2)</p>	<p>Allen Wrench</p> <p>1 PC</p>	<p>Safety Strap Kit</p> <p>1 PC</p>	<p>Screw</p> <p>10 PCS (Extra 2)</p>
<p>#16</p> 	<p>#17</p> 	<p>#18</p> 		
<p>Door Insert</p> <p>2 PCS</p>	<p>Spring Hinge</p> <p>2 PCS</p>	<p>Door Catch</p> <p>2 PCS</p>		

## ADDITIONAL TOOLS (Not Provided)

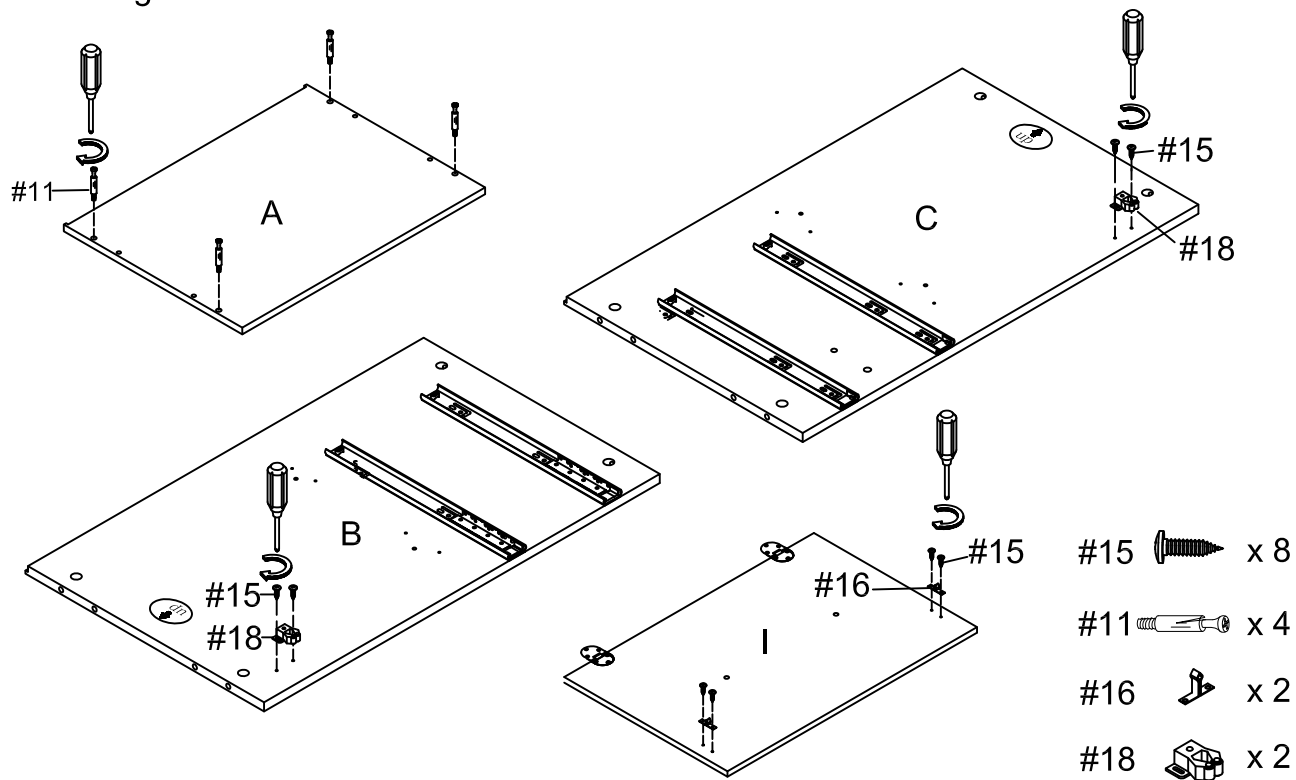
Note: It is not recommended to use power tools during assembly.



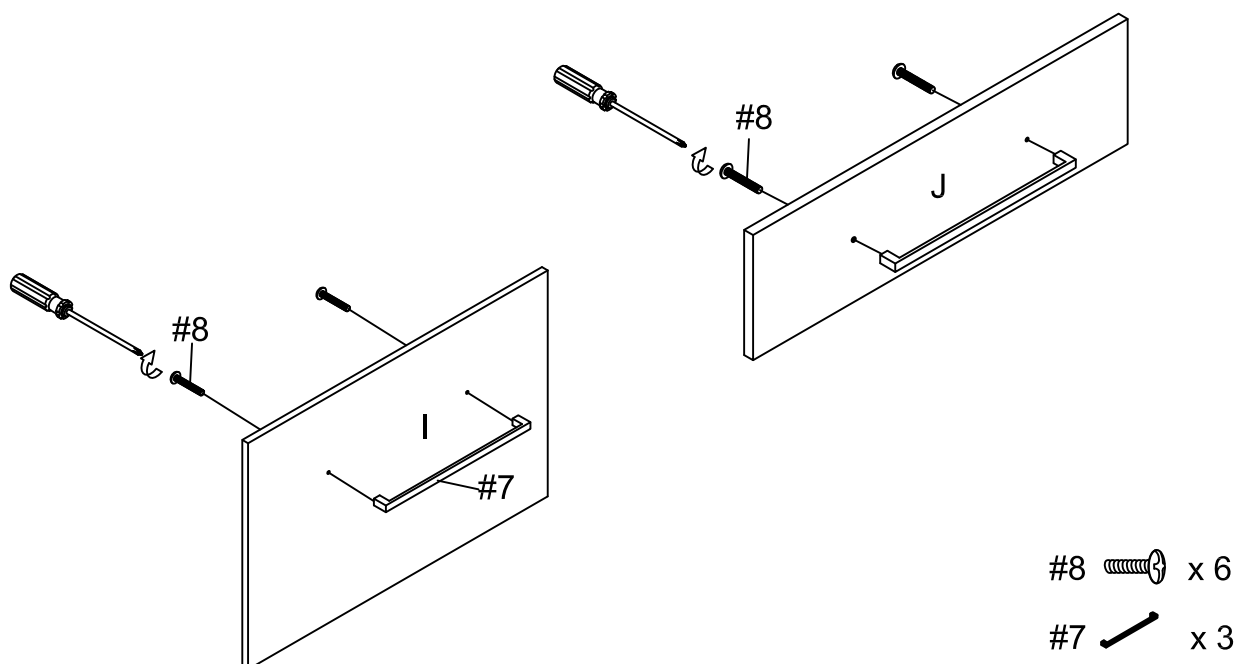
Phillips Head Screwdriver

Step 1. Insert cam bolts (part #11) into pre-drilled holes of top panel (part A) by using phillips head screwdriver. Attach door catch (part #18) to left side panel (part B) and right side panel (part C) by using screws (part #15) and phillips head screwdriver. Attach door insert (part #16) to door panel (part I) by using screws (part #15) and phillips head screwdriver.

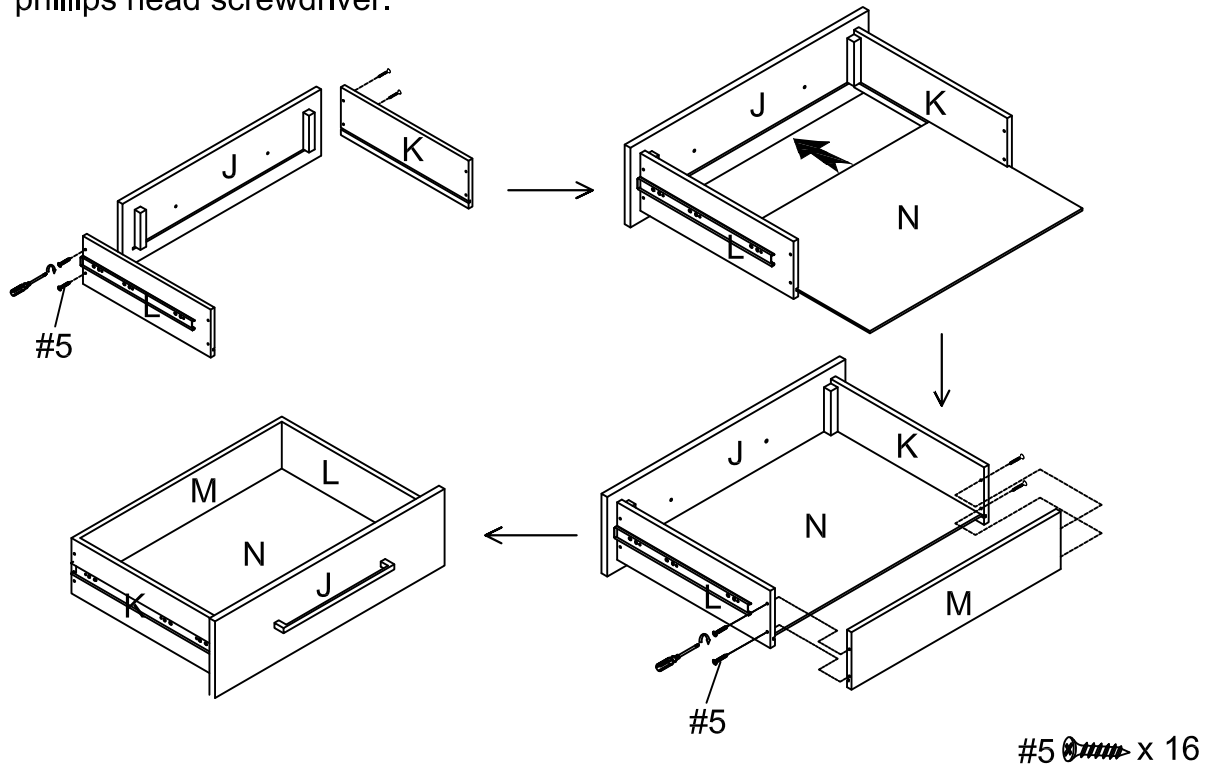
NOTE: Do not overtighten cam bolts. Stop tightening once threads on cam bolt are no longer visible.



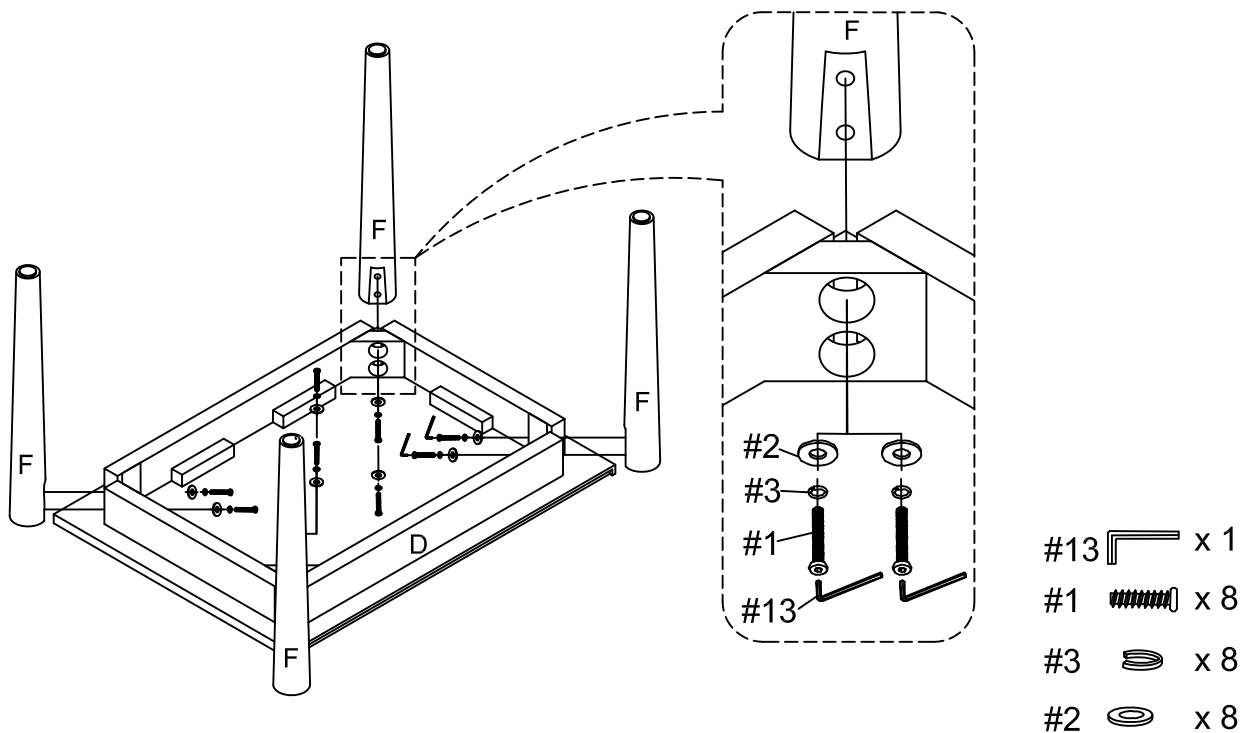
Step 2. Attach handles (part #7) to door panel (part I) and front of drawer (part J) by using round head bolts (part #8) and phillips head screwdriver.



Step 3. Attach left side panel of drawer (part K) and right side panel of drawer (part L) to front of drawer (part J) by using screws (part #5) and phillips head screwdriver. Slide bottom panel of drawer (part N) into the grooves of left side panel of drawer (part K) and right side panel of drawer (part L). Attach back panel of drawer (part M) to left side panel of drawer (part K) and right side panel of drawer (part L) by using screws (part #5) and phillips head screwdriver.

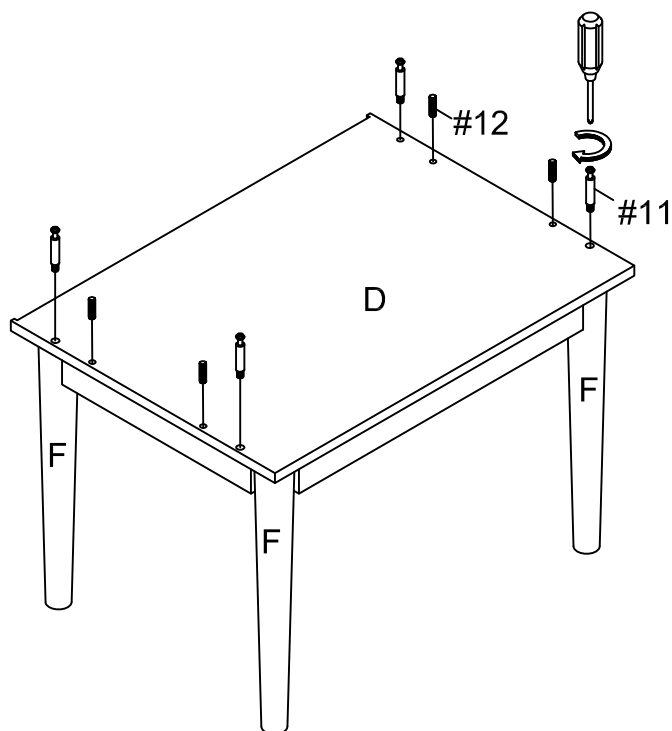


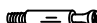
Step 4. Attach legs (part F) to bottom frame (part D) by using allen bolts (part #1), flat washers (part #2), spring washers (part #3) and allen wrench (part #13).



Step 5. Insert wood dowels (part #12) and cam bolts (part #11) into bottom frame (part D) by using phillips head screwdriver as shown.

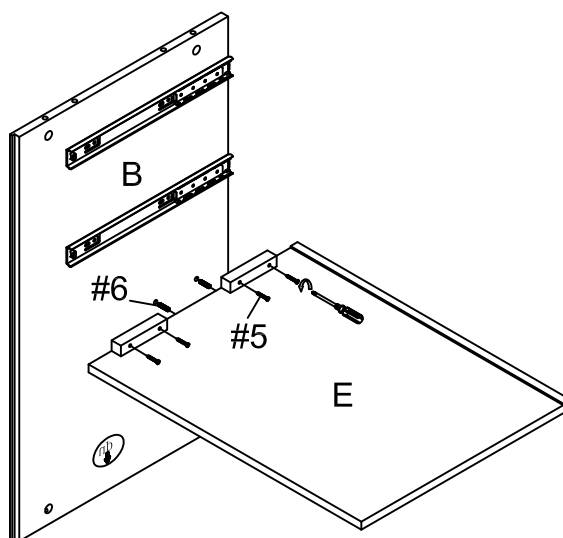
NOTE: Do not overtighten cam bolts. Stop tightening once threads on cam bolt are no longer visible.



#11  x4

#12  x4

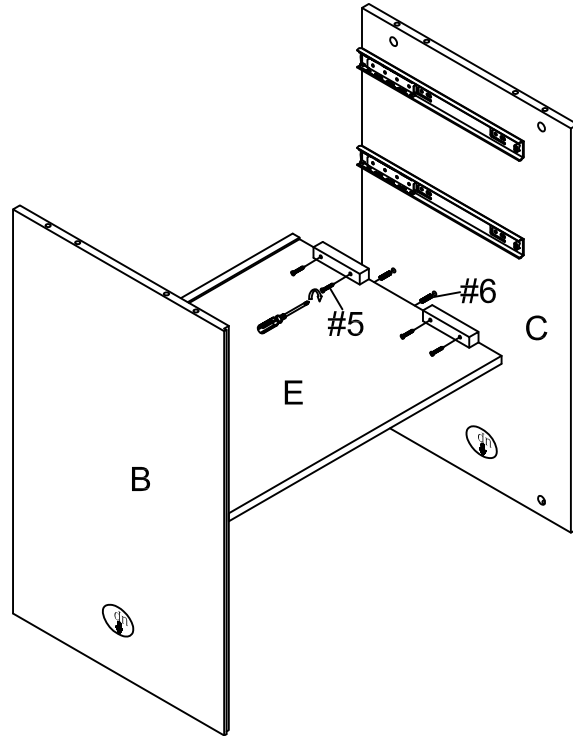
Step 6. Attach fixed shelf (part E) to left side panel (part B) by using wood dowels (part #6), screws (part #5) and phillips head screwdriver as shown.





#5  x4

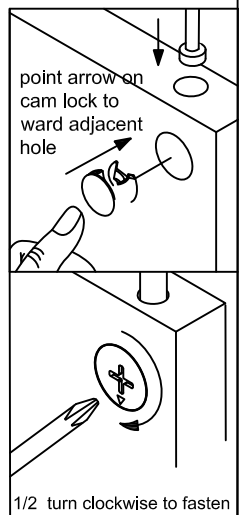
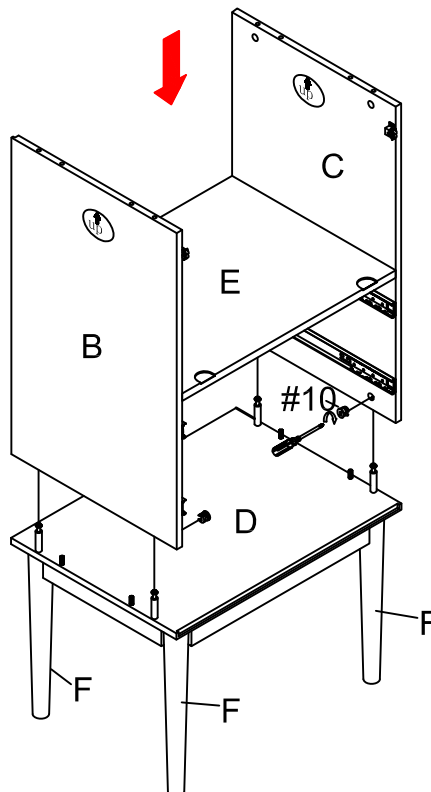
#6  x2

Step 7. Attach fixed shelf (part E) to right side panel (part C) by using wood dowels (part #6), screws (part #5) and phillips head screwdriver as shown.



#5  x4  
#6  x2

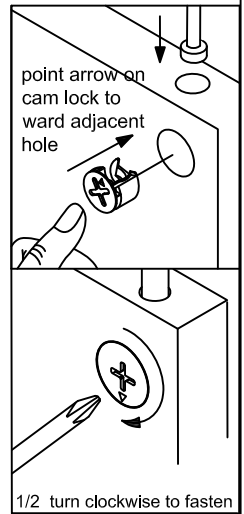
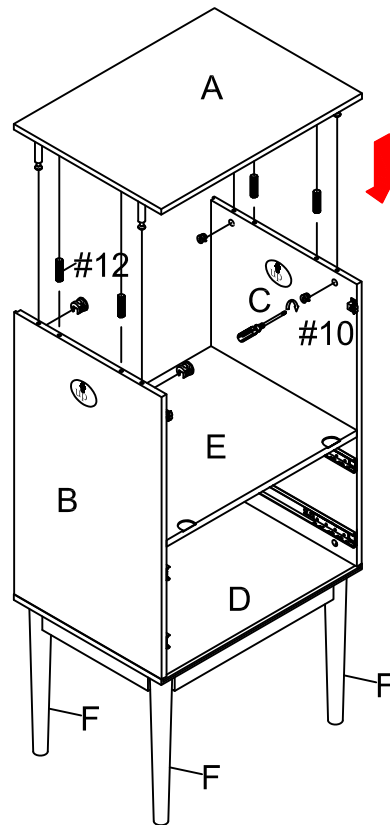
Step 8. Attach left side panel (part B) and right side panel (part C) to bottom frame (part D) by using wood dowels, cam locks (part #10) and phillips head screwdriver.  
NOTE: Cam locks must rotate full 180°. See pictured insert.



#10  x4

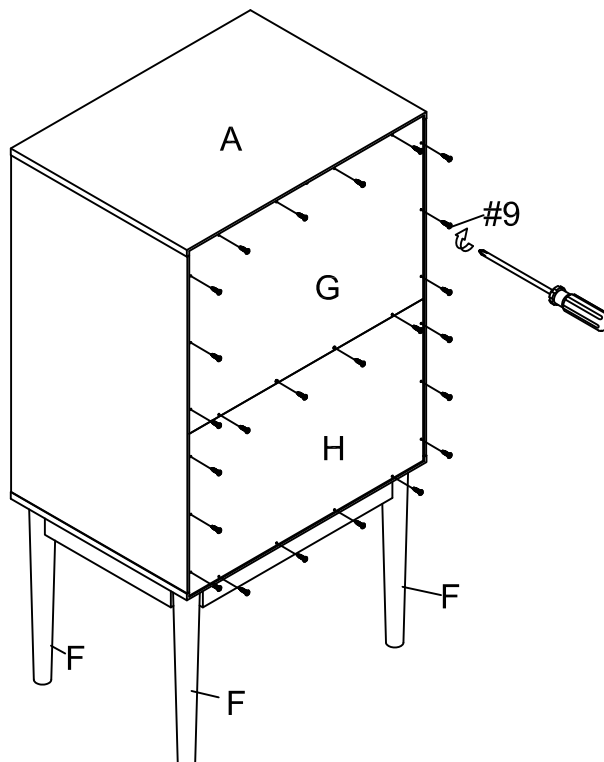
Step 9. Attach top panel (part A) to left side panel (part B) and right side panel (part C) by using cam locks (part #10), wood dowels (part#12) and phillips head screwdriver.

NOTE: Cam locks must rotate full 180°. See pictured insert.



- #10  x 4
- #12  x 4

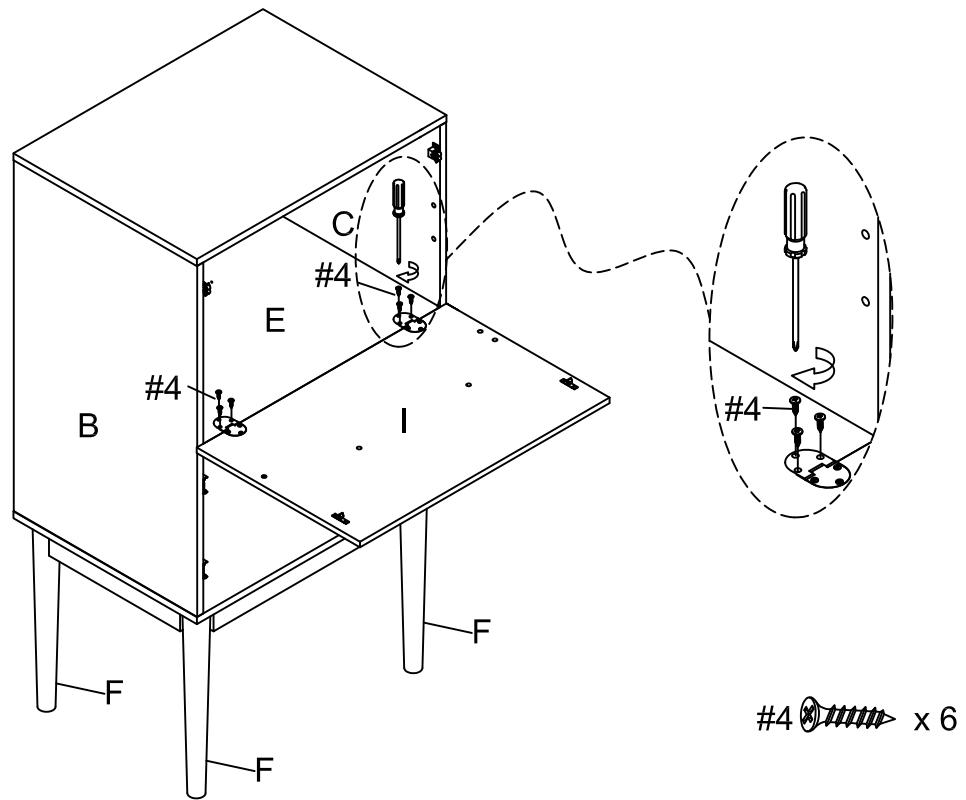
Step 10. Attach top back panel (part G) and bottom back panel (part H) into place by using screws (part #9) and phillips head screwdriver.



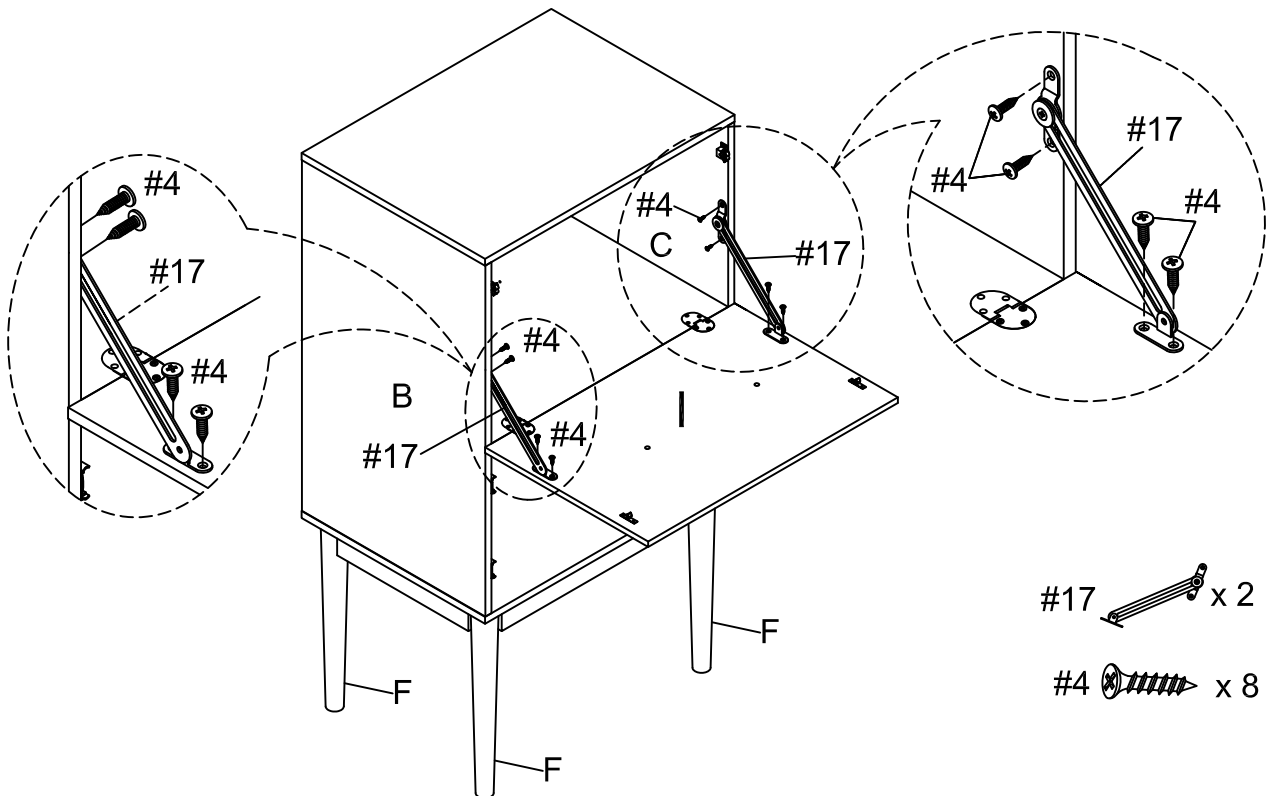
- #9  x 24



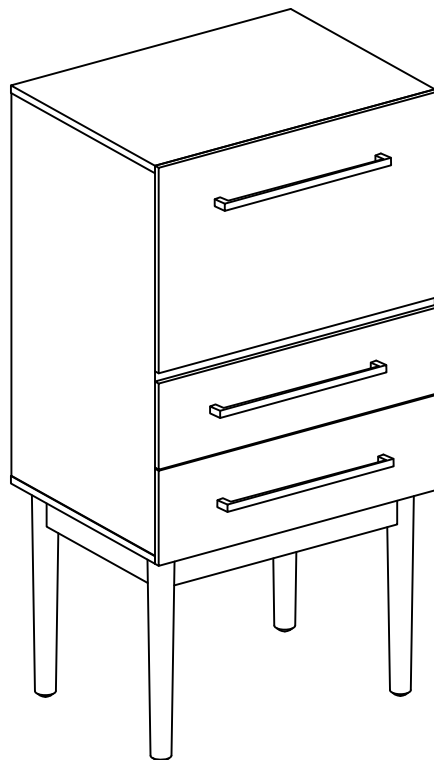
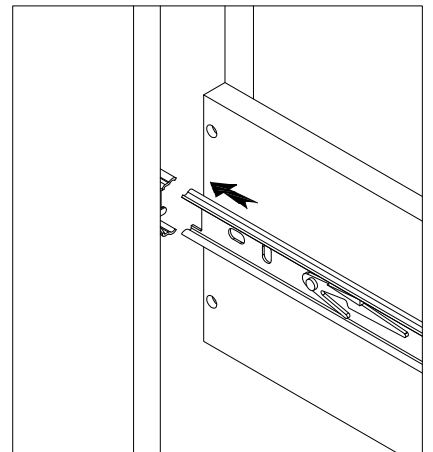
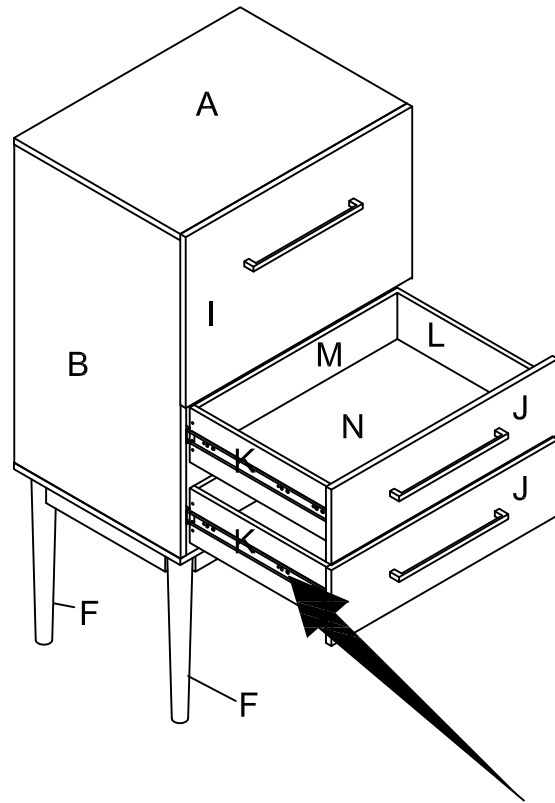
Step 11. Attach door panel (part I) to fixed shelf (part E) by using hinges (pre-assembled), screws (part #4) and phillips head screwdriver.


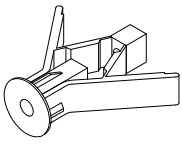

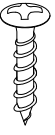

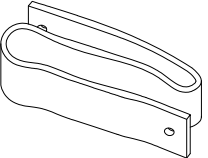


Step 12. Attach spring hinge (part #17) to left side panel (part B) and right side panel (part C) by using screws (part #4) and phillips head screwdriver.



Step 13. Slide completed drawers into place.



#14	A	B	C	D	E
					
Safety Strap Kit 1 PC	Wall Anchor A x1 PC	Washer B x 2 PCS	Short Screw C x 1 PC	Long Screw D x 1 PC	Safety Wall Strap E x 1 PC

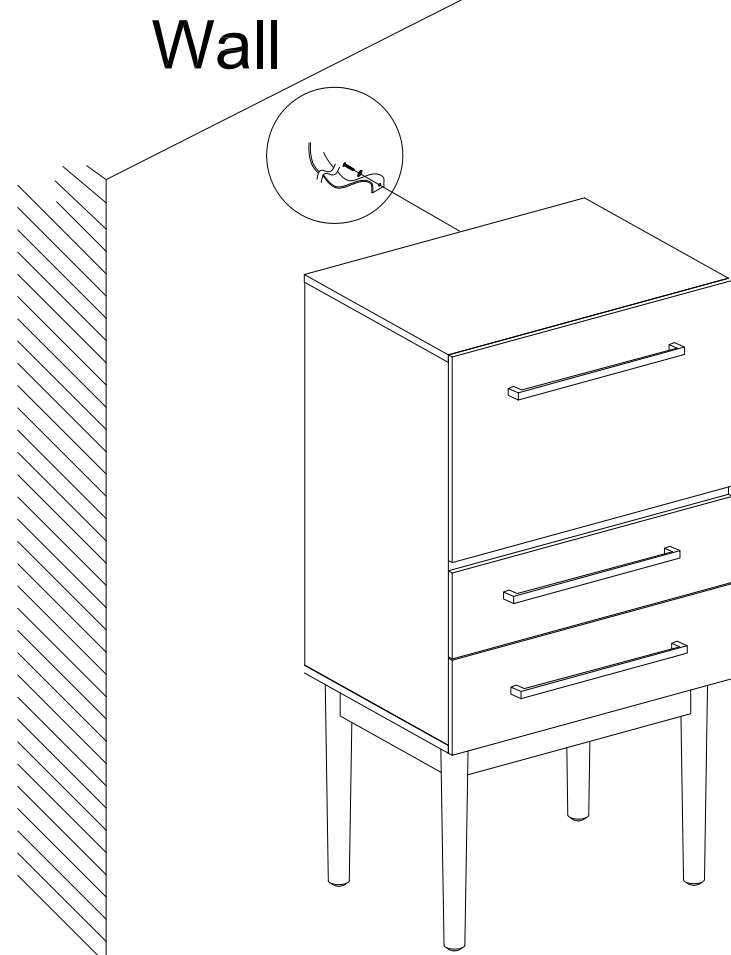
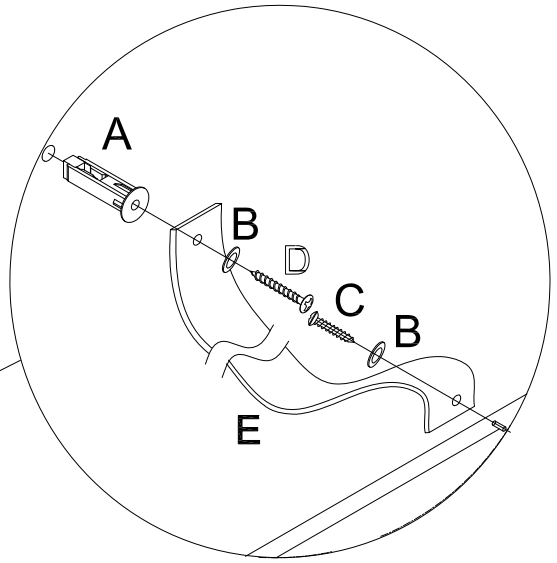
**SAFETY STRAP WALL ASSEMBLY INSTRUCTION**

1) Insert short screw (part #C) through washer (part #B) and safety wall strap (part #E) and screw it into the top center of top back panel (part G).

2) Drill a 11/32" hole where you want to secure your unit. The hole should be at the same height as the hole in the top center of top back panel (part G). Tap wall anchor (part #A) into the hole.

3) Insert long screw (part #D) through a washer (part #B) and wall safety strap (part #E) into wall anchor the top center of top back panel (part G).

Note: This item is not intended for clothing storage use.



<b>⚠ WARNING</b>	
	<p><b>Children have died from furniture tipover. To reduce the risk of furniture tipover:</b></p> <ul style="list-style-type: none"> <li>• ALWAYS install tipover restraint provided.</li> <li>• NEVER put a TV on this product.</li> <li>• NEVER allow children to stand, climb or hang on drawers, doors, or shelves.</li> <li>• NEVER open more than one drawer at a time.</li> <li>• Place heaviest items in the lowest drawers.</li> </ul> <p><i>This is a permanent label. Do not remove!</i></p>
	