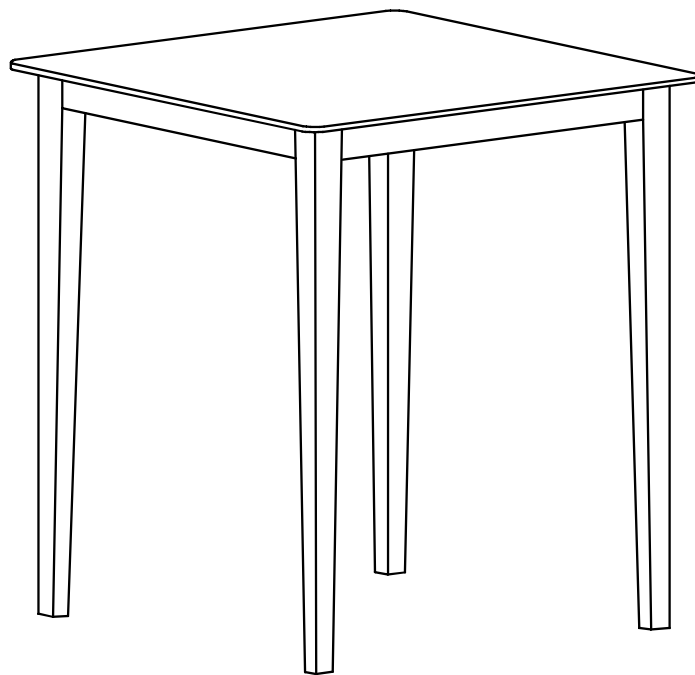


CROSLEY

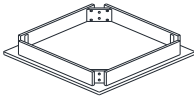
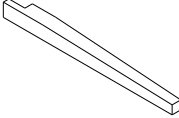
FURNITURE

Tapered Leg Pub Table

CF2001-CF020236







PART LIST

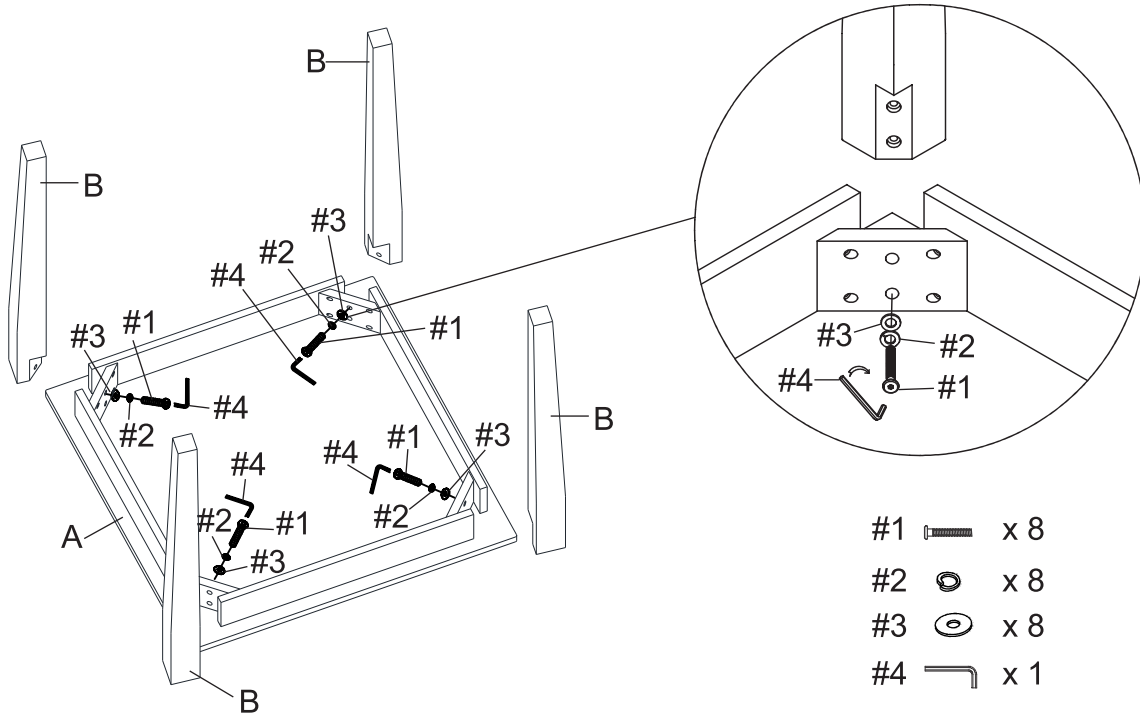
<div data-bbox="146 138 188 183" data-label="Text">A</div> 	<div data-bbox="411 138 453 183" data-label="Text">B</div> 
<p>Table Frame 1 PC</p>	<p>Leg 4 PCS</p>

Please note table frame and legs will ship in separate packaging.

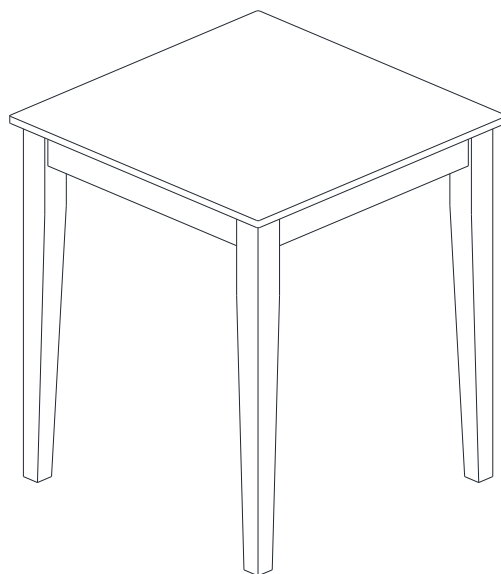
HARDWARE LIST

<div data-bbox="146 654 188 698" data-label="Text">#1</div>  <p>5/16" x 60mm</p>	<div data-bbox="411 654 453 698" data-label="Text">#2</div> 	<div data-bbox="673 654 715 698" data-label="Text">#3</div> 	<div data-bbox="938 654 979 698" data-label="Text">#4</div> 
<p>Bolt 8 PCS</p>	<p>Spring Washer 8 PCS</p>	<p>Flat Washer 8 PCS</p>	<p>Allen Wrench 1 PC</p>

Step 1. Attach legs (part B) to table frame (part A) using bolts (part #1), spring washers (part #2), flat washers (part #3) and allen wrench (part #4).



Step 2. Carefully turn unit upright.



PO#
MODEL#
CF2001/CF020236
MADE IN VIETNAM