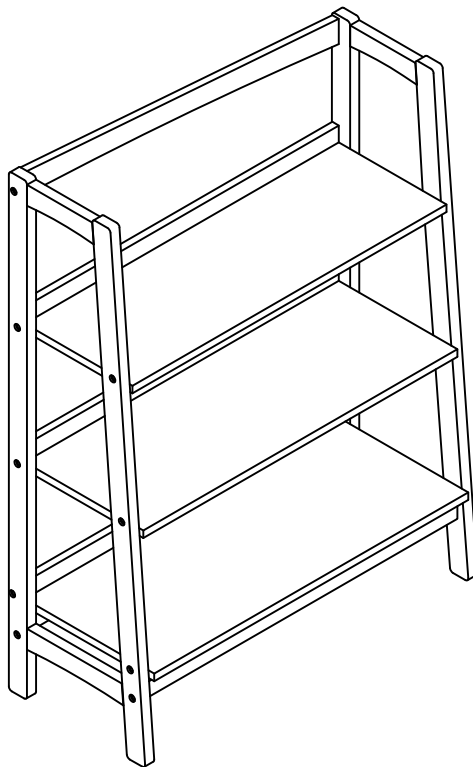

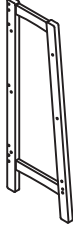
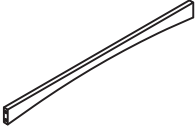
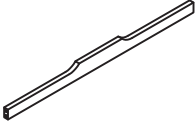
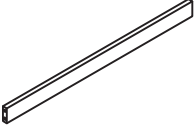
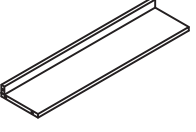
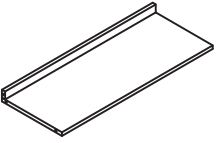
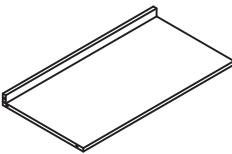








Bookcase
CF1111



PART LIST

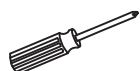
				
Left Side Frame 1 PC	Right Side Frame 1 PC	Back Top Rail 1 PC	Front Bottom Rail 1 PC	Back Bottom Rail 1 PC
				
Top Shelf 1 PC	Middle Shelf 1 PC	Bottom Shelf 1 PC		

HARDWARE LIST

			
Safety Strap Kit 1 PC	Wood Dowel 13 PCS (Extra 1) Ø8x40	Allen Bolt 19 PCS (Extra 1) Ø 1/4"x38	Allen Wrench 1 PC M4

ADDITIONAL TOOLS (Not Provided)

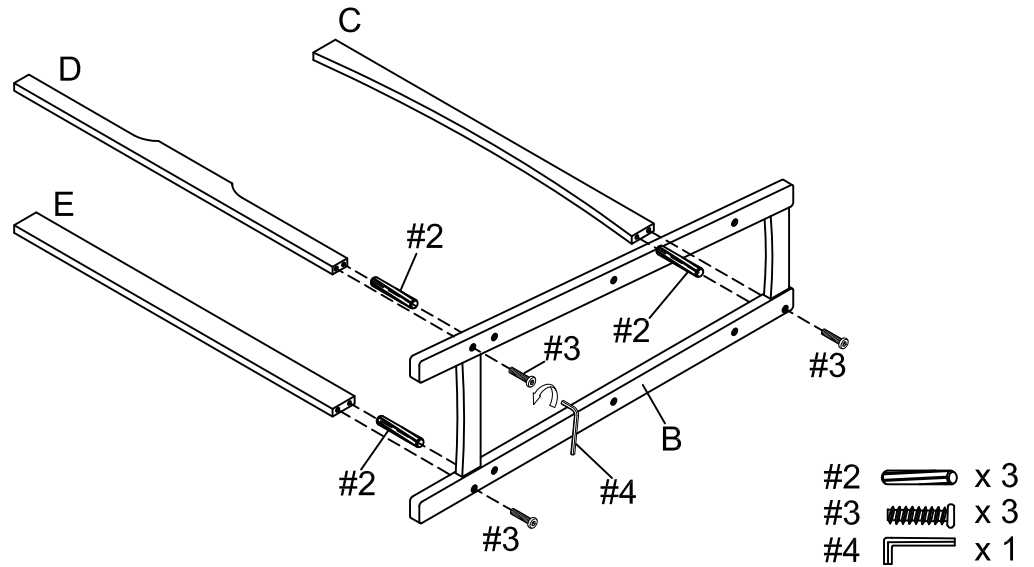
Note: It is not recommended to use power tools during assembly.



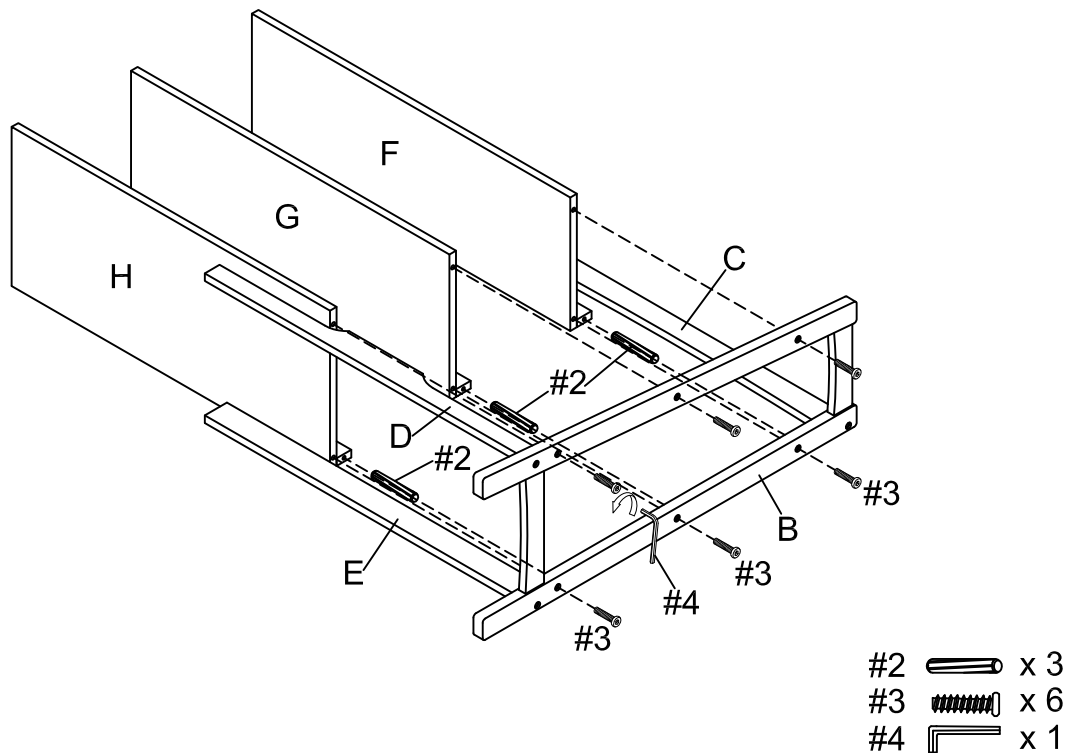
Phillips Head Screwdriver

Step 1. Attach back top rail (part C), front bottom rail (part D) and back bottom rail (part E) to right side frame (part B) by using wood dowels (part #2), allen bolts (part #3) and allen wrench (part #4).

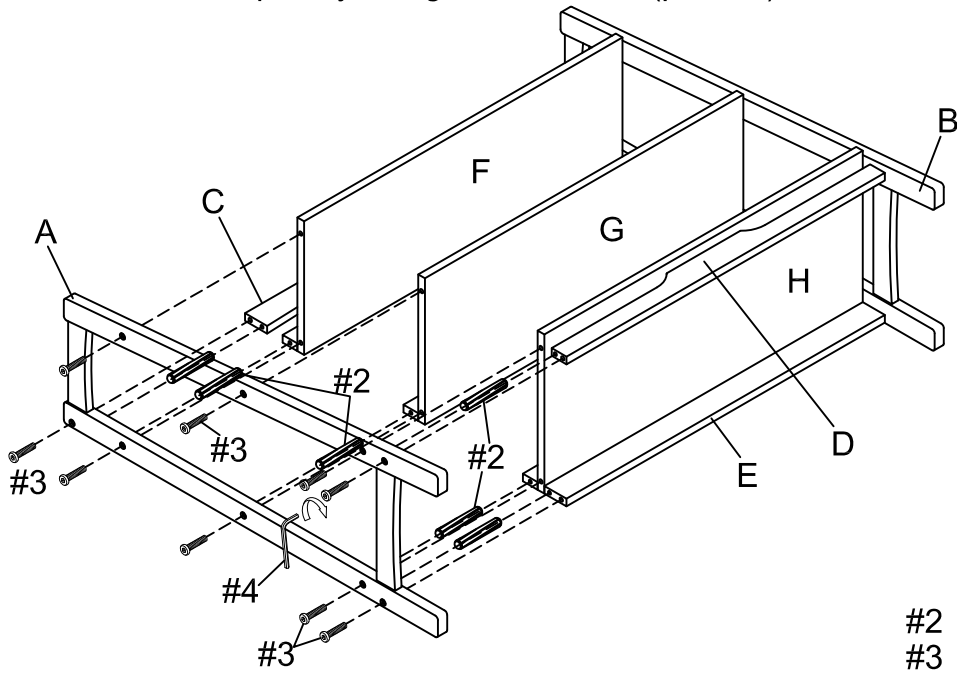
Note: Do not fully tighten bolts until unit is fully assembled.






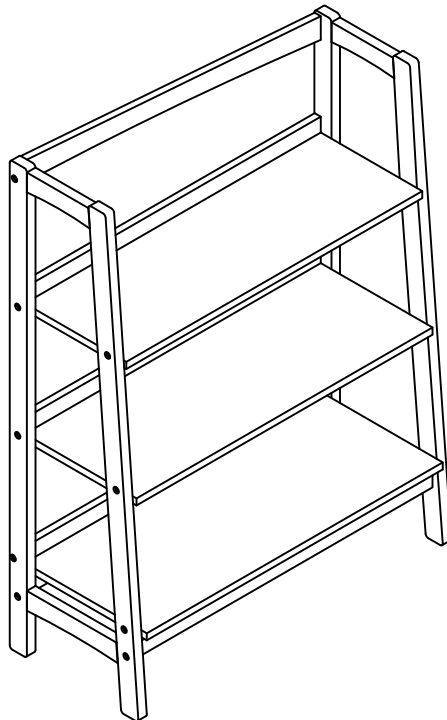
Step 2. Attach top shelf (part F), middle shelf (part G) and bottom shelf (part H) to right side frame (part B) by using wood dowels (part #2), allen bolts (part #3) and allen wrench (part #4).


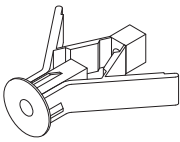

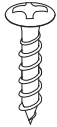
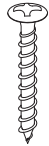
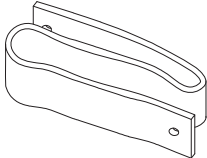


Step 3. Attach left side frame (part A) to back top rail (part C), top shelf (part F), middle shelf (part G), bottom shelf (part H), front bottom rail (part D) and back bottom rail (part E) by using wood dowels (part #2), allen bolts (part #3) and allen wrench (part #4). Tighten all the bolts completely using allen wrench (part# 4).



- #2  x 6
- #3  x 9
- #4  x 1



	<p>Safety Strap Kit 1 PC</p>	<p>A</p> 	<p>B</p> 	<p>C</p> 	<p>D</p> 	<p>E</p> 
		<p>Wall Anchor A x 1 PC</p>	<p>Washer B x 2 PCS</p>	<p>D8*3/4" Short Screw C x 1 PC</p>	<p>D8*1-1/2" Long Screw D x 1 PC</p>	<p>Safety Wall Strap E x 1 PC</p>

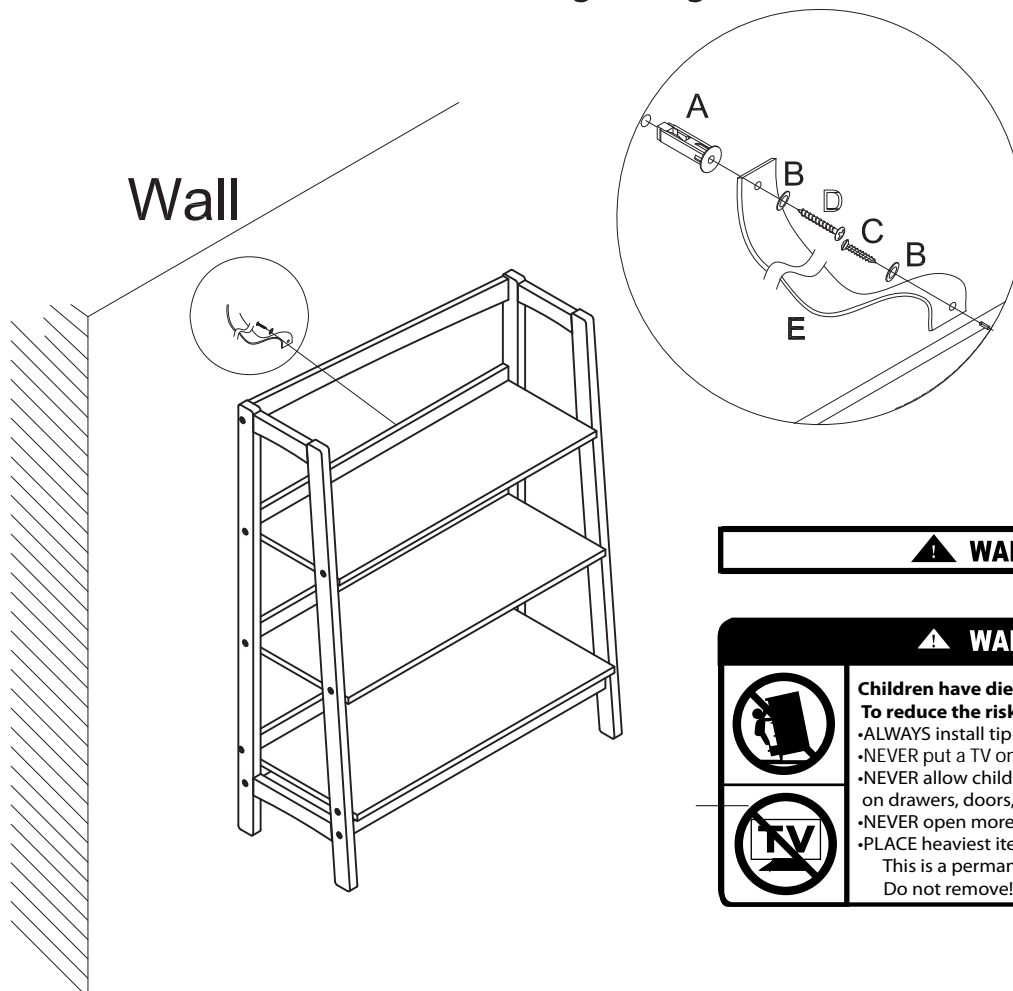
SAFETY STRAP WALL ASSEMBLY INSTRUCTION

1) Insert short screw (part #C) through washer (part #B) and safety wall strap (part #E) and screw it into the top center of top shelf (part F).

2) Drill a 11/32" hole where you want to secure your unit. The hole should be at the same height as the hole in the top center of top shelf (part F). Tap wall anchor (part #A) into the hole.

3) Insert long screw (part #D) through washer (part #B) and wall safety strap (part #E) into the wall anchor (part #A).

Note: This item is not intended for clothing storage use



WARNING

WARNING

Children have died from furniture tip-over. To reduce the risk of furniture tip-over:

- ALWAYS install tipover restraint provided.
- NEVER put a TV on this product.
- NEVER allow children to stand, climb or hang on drawers, doors, or shelves.
- NEVER open more than one drawer at a time.
- PLACE heaviest items in the lowest drawers.

This is a permanent label. Do not remove!